



SERVICE BULLETIN

Classification: EC18-033a	Reference: NTB18-084a	Date: January 22, 2021
------------------------------	--------------------------	---------------------------

2017-2020 ROGUE SPORT; REDUCED POWER DUE TO SNOW INGESTION

This bulletin has been amended. See AMENDMENT HISTORY on the last page.
Please discard previous versions of this bulletin.

APPLIED VEHICLES: 2017-2020 Rogue Sport (J11)

IF YOU CONFIRM

- An Applied Vehicle experiences reduced power during extremely heavy snow fall,
And
- Snow is found inside the air cleaner case.

NOTE: The MIL may be ON with DTC P0101 (MAF SEN/CIRCUIT B1) stored.

ACTION

1. Replace air duct 1 with one listed in the Parts Information on page 10.
2. Trim the hood seal.
3. Remove the front grille spacer.
4. Install foam blocks listed in the Parts Information on page 10.
5. Install the new front grille spacer (if needed).

IMPORTANT: The purpose of ACTION (above) is to give you a quick idea of the work you will be performing. You **MUST** closely follow the entire SERVICE PROCEDURE as it contains information that is essential to successfully completing this repair.

Nissan Bulletins are intended for use by qualified technicians, not 'do-it-yourselfers'. Qualified technicians are properly trained individuals who have the equipment, tools, safety instruction, and know-how to do a job properly and safely. NOTE: If you believe that a described condition may apply to a particular vehicle, DO NOT assume that it does. See your Nissan dealer to determine if this applies to your vehicle.

SERVICE PROCEDURE

1. Open the hood.
2. Remove any snow from inside of the air duct and air cleaner assembly.
 - Refer to the Electronic Service Manual (ESM) for the air duct assembly and air cleaner case removal: **ENGINE > ENGINE MECHANICAL > MR20DD > REMOVAL AND INSTALLATION > AIR CLEANER AND AIR DUCT.**
3. Replace the air cleaner filter.
 - Refer to the ESM for air cleaner replacement: **Inspection, Removal, and Installation > ENGINE > ENGINE MECHANICAL > PERIODIC MAINTENANCE > AIR CLEANER FILTER.**
4. Reinstall the air cleaner cover and air duct 2.
5. Replace air duct 1 with one listed in the Parts Information on page 10.

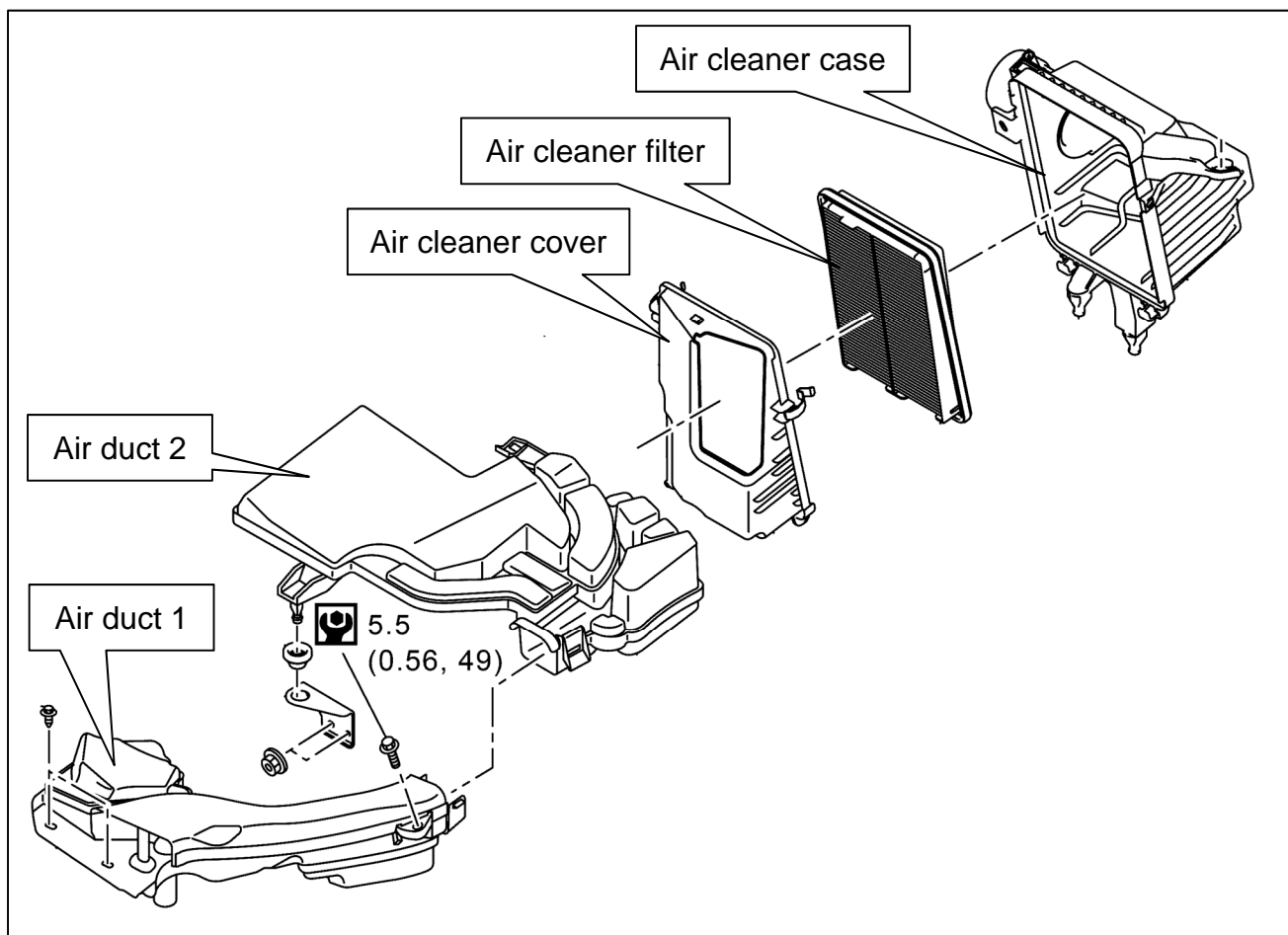


Figure 1

: N•m (kg-m, in-lb)

- Remove the three (3) clips from the hood seal, and then trim 210 mm of the hood seal (measured from the driver side), where shown in Figure 2.

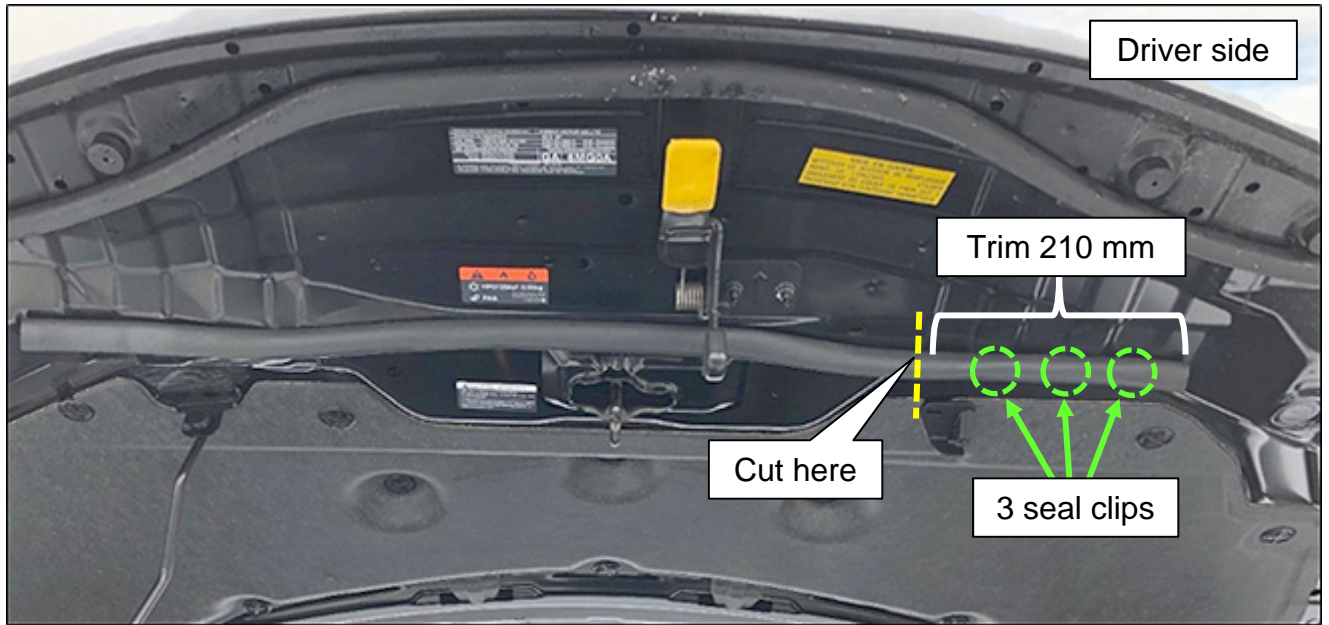


Figure 2

- Remove the front grille spacer from the vehicle (see Figure 3).

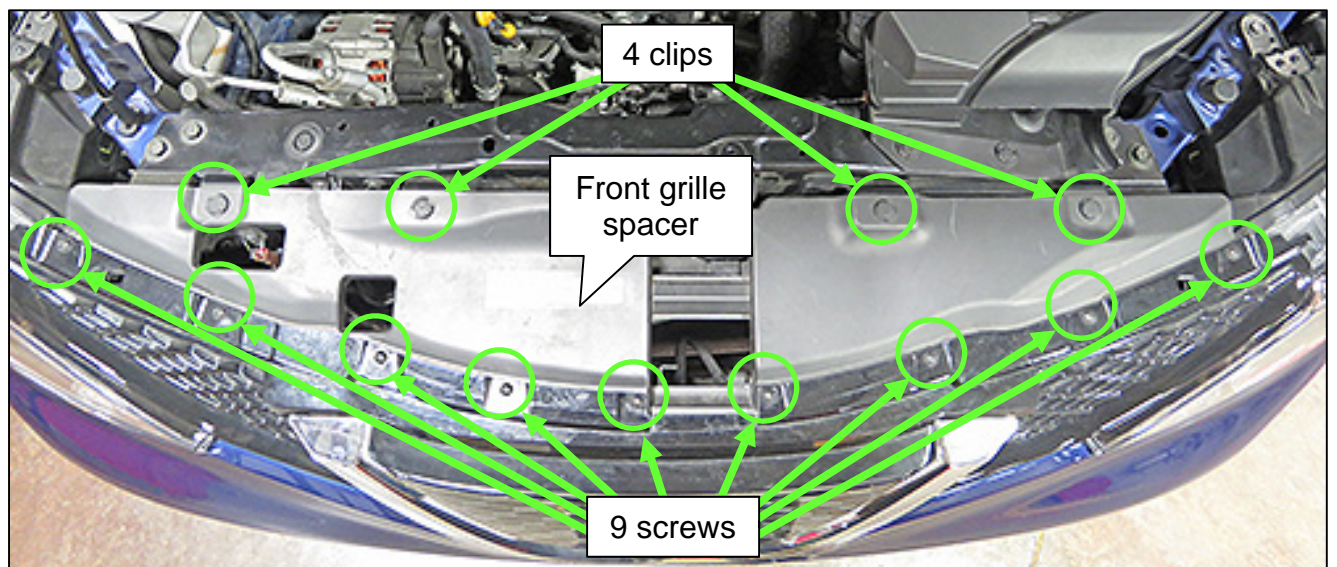


Figure 3

8. Confirm if the foam blocks have already been applied to the positions indicated in Figure 4 below:
 - If the foam blocks have not been applied, continue to step 9 below.
 - If the foam blocks have already been applied, skip to step 12 on page 7.

9. Clean the areas of the radiator mounting bracket, shown highlighted in Figure 5, with 50% isopropyl alcohol.

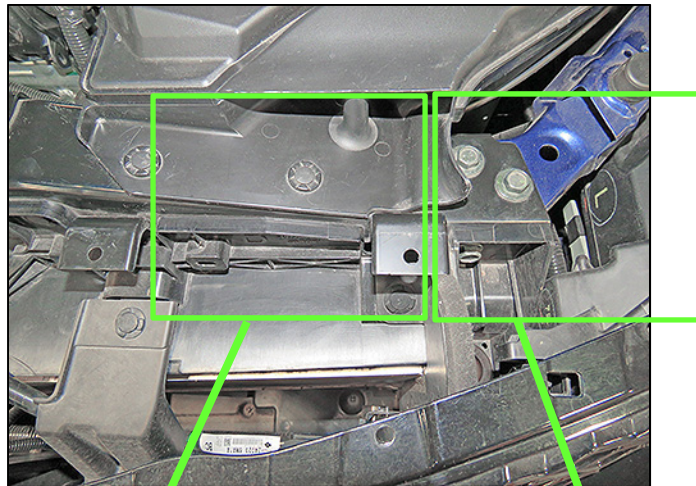


Figure 4

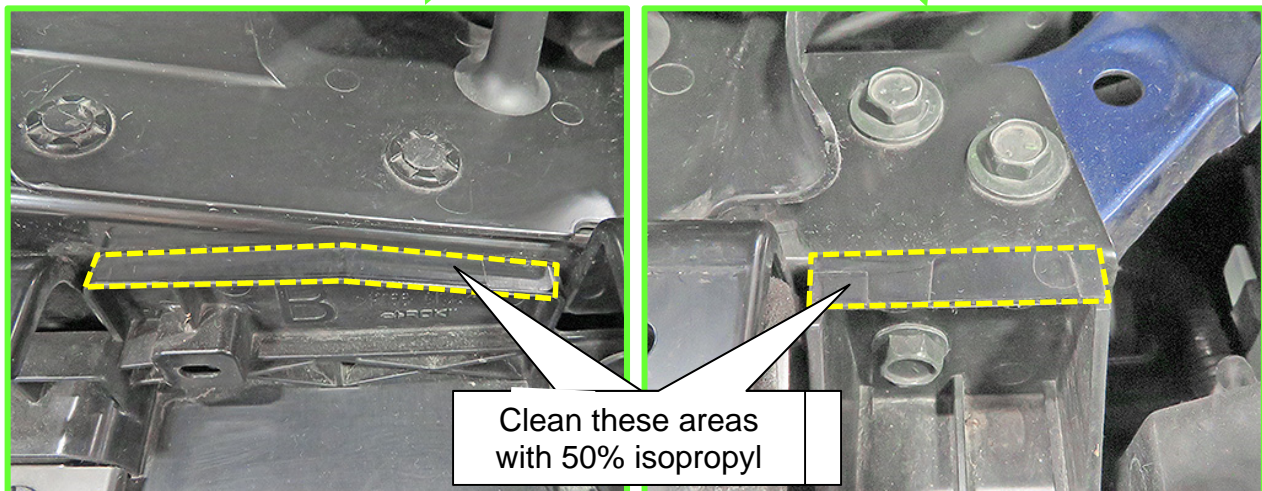


Figure 5

10. Install SEAL 1 (10 x 20 x 116 mm foam block) onto the radiator mounting bracket as follows:
- Confirm that SEAL 1 is oriented with the adhesive strip facing down and toward the rear of the vehicle (Figure 6).

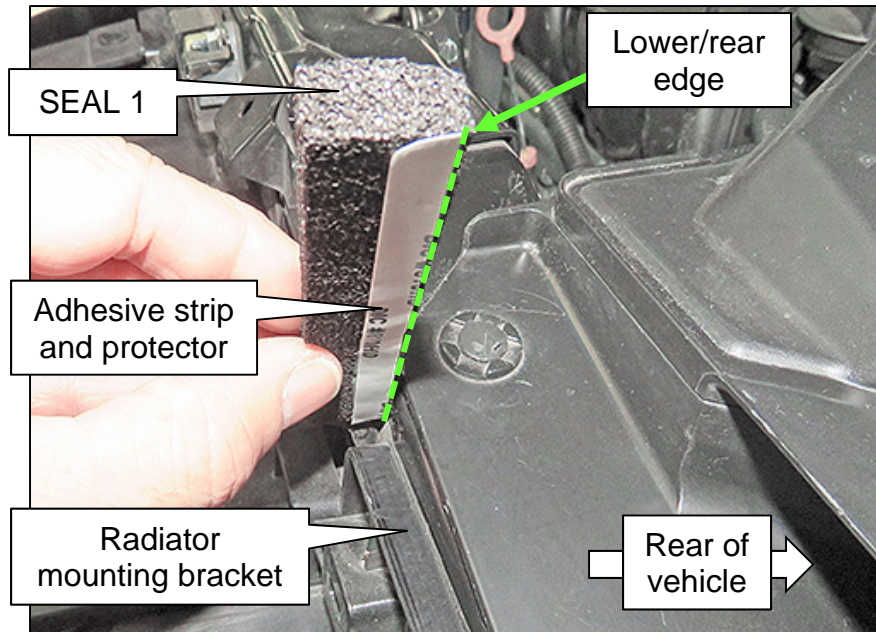


Figure 6

- Remove the adhesive strip protector.
- Attach SEAL 1 so that:
 - The lower/rear edge of SEAL 1 (Figure 6) is placed on the radiator mounting bracket where shown in Figure 7,

And

 - It is centered on the radiator mounting bracket as shown in Figure 8.

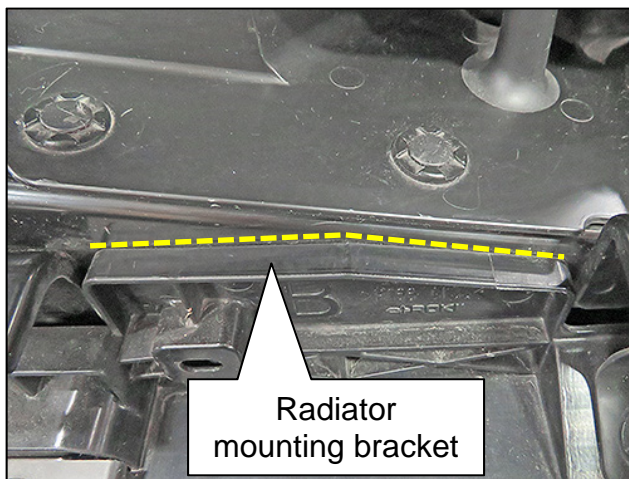


Figure 7

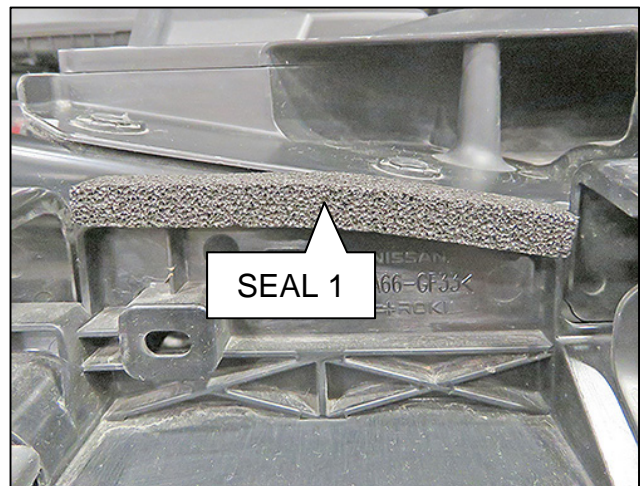


Figure 8

11. Install SEAL 2 (10 x 20 x 70 mm foam block) onto the radiator mounting bracket as follows:

- a. Confirm that SEAL 2 is oriented with the adhesive strip facing down and toward the rear of the vehicle (Figure 9).

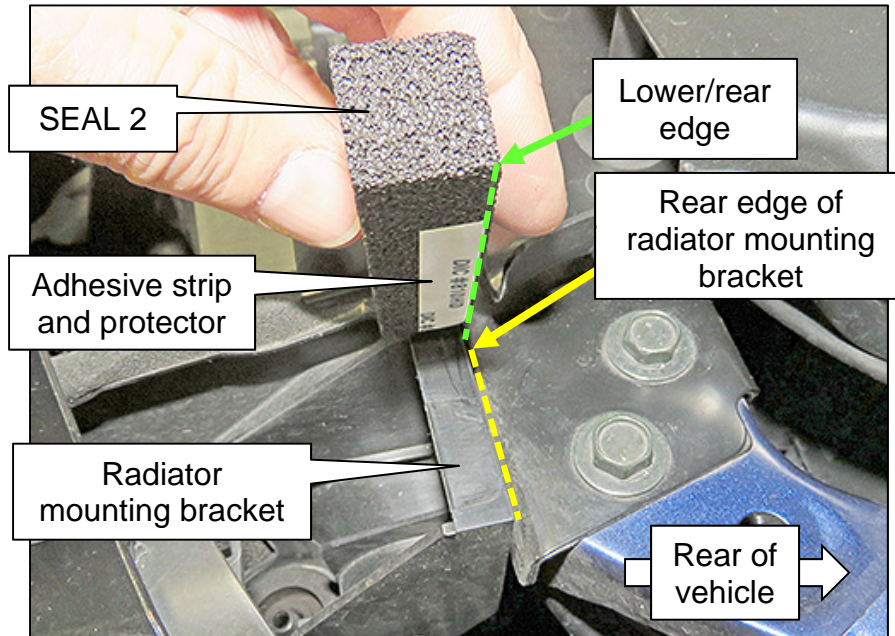


Figure 9

- b. Remove the adhesive strip protector.

- c. Attach SEAL 2 so that:

- The lower/rear edge of SEAL 2 (Figure 9) is aligned with the rear edge of the radiator mounting bracket where shown in Figure 9 and Figure 10,

And

- It is up against the edge of grille spacer mount as shown in Figure 11.

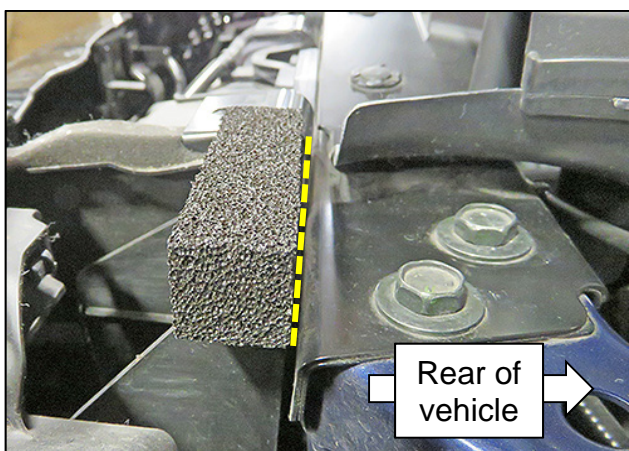


Figure 10

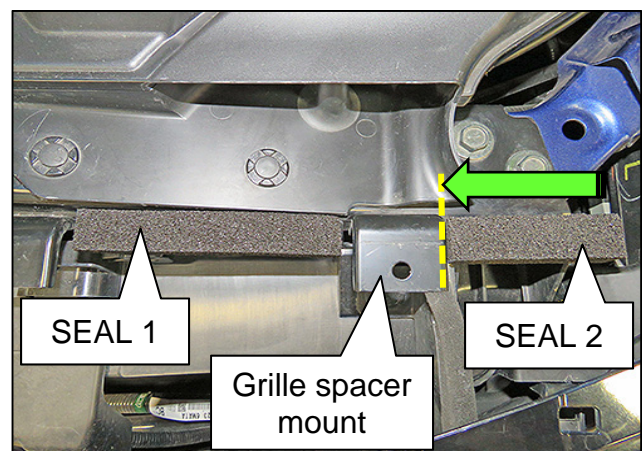


Figure 11

12. Confirm if the foam blocks have already been installed onto the front grille spacer, as shown in Figure 12:
- If the foam blocks have not been applied, replace the front grille spacer with the part listed in the Parts Information on page 10, and then proceed to step 13 on page 8.
 - If the foam blocks have been applied, continue to step 13.

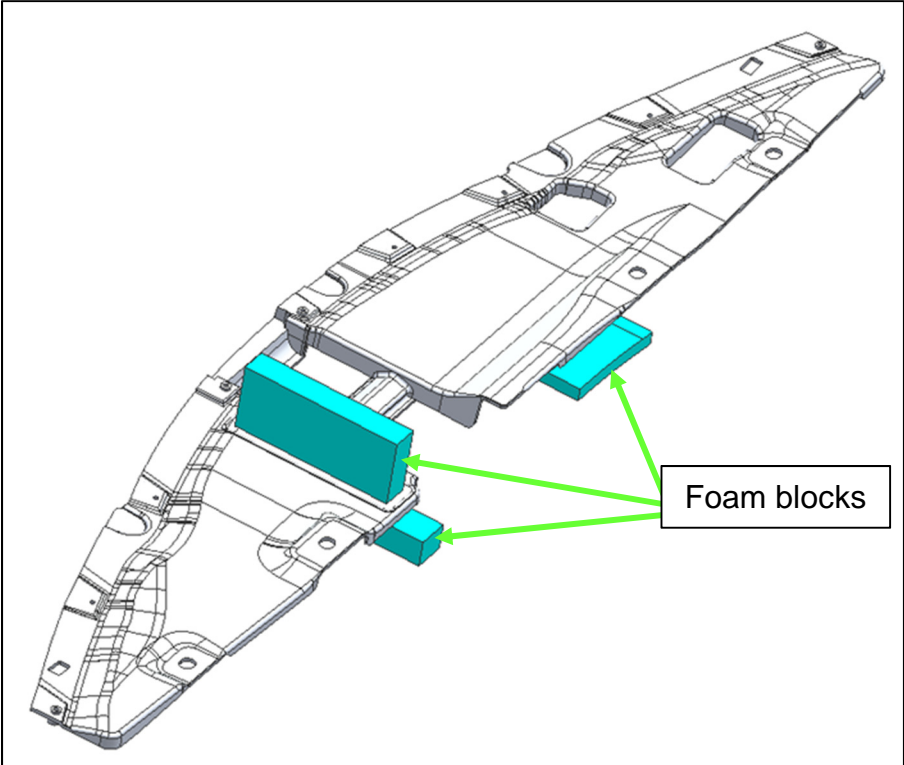


Figure 12

13. Clean the area of the new front grille spacer shown highlighted in Figure 13 with 50% isopropyl alcohol.

NOTE: See the Parts Information for the new front grille spacer.

14. Install MOUNTING (20 x 30 x 100 mm foam block) onto the new grille spacer as follows:

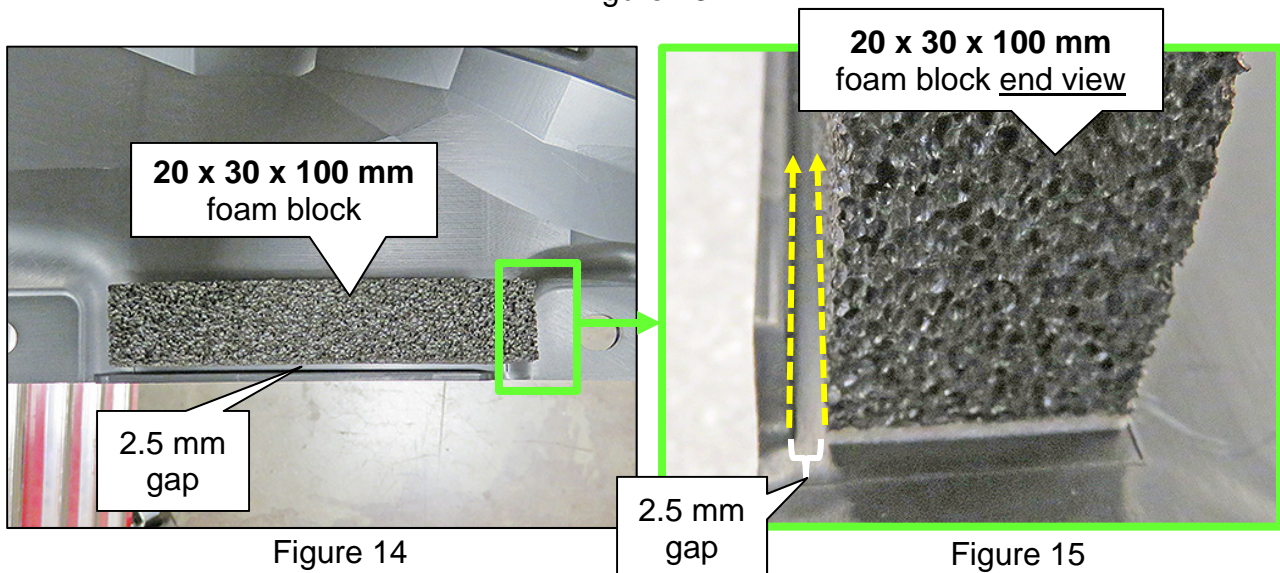
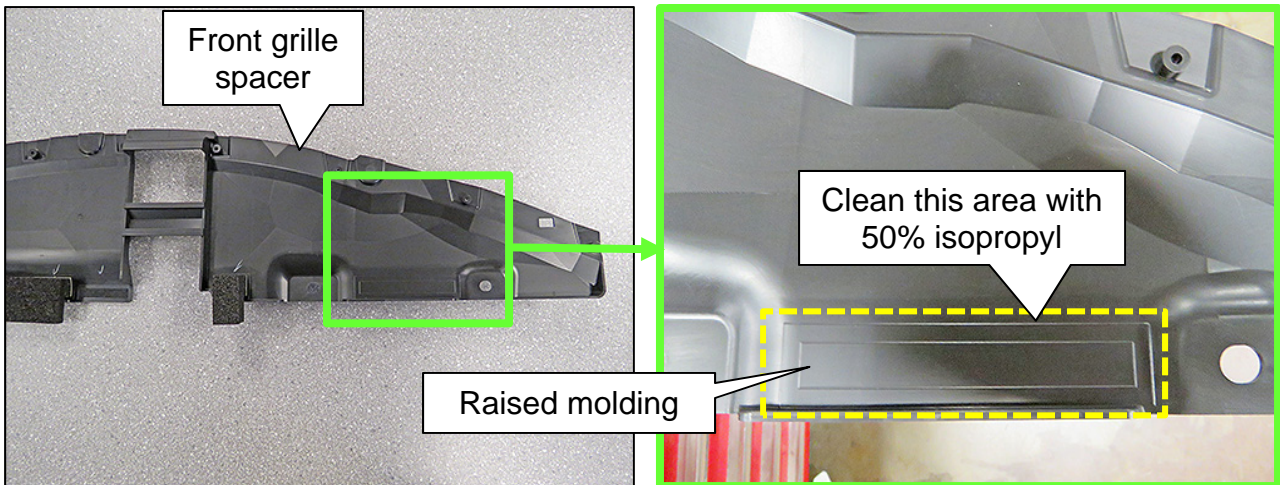
a. Remove the adhesive strip protector from the 20 x 30 x 100 mm foam block.

b. Install the 20 x 30 x 100 mm foam block so that:

- It is aligned with the bottom of the rear edge of the front grille spacer, with a gap of 2.5 mm as shown in Figure 14 and Figure 15,

And

- Is centered (Figure 14) over the raised molding shown in Figure 13.



15. Install the new front grille spacer onto the vehicle in the reverse order that the original was removed.

16. If a front grille spacer was not replaced in step 12, skip to step 19.

17. Clean the area on the top of the new front grille spacer shown highlighted in Figure 16 with 50% isopropyl alcohol.

18. Attach the LABEL-CAUTION, MOTOR FAN (fan warning label) to the top of the new front grille spacer where shown in Figure 16.

NOTE: See the Parts Information for the LABEL-CAUTION, MOTOR FAN (fan warning label).



Figure 16

19. If stored, erase DTC P0101.

PARTS INFORMATION

DESCRIPTION	PART NUMBER	QUANTITY
SEAL 1 (10 x 20 x 116 mm foam block)	21456-6MA1A	1 (as Needed)
SEAL 2 (10 x 20 x 70 mm foam block)	21456-6MA1B	1 (as Needed)
MOUNTING, RADIATOR GRILLE (Front grille spacer)	62398-6MA0B	1 (as Needed)
MOUNTING (20 x 30 x 100 mm foam block)	62398-6MJ0A	1
LABEL-CAUTION, MOTOR FAN (Fan warning label)	21599-7991A	1 (as Needed)
AIR CLEANER ELEMENT	16546-4BC2A	1
AIR DUCT (See Figure 17)	16554-6MA4A	1

New Air Duct

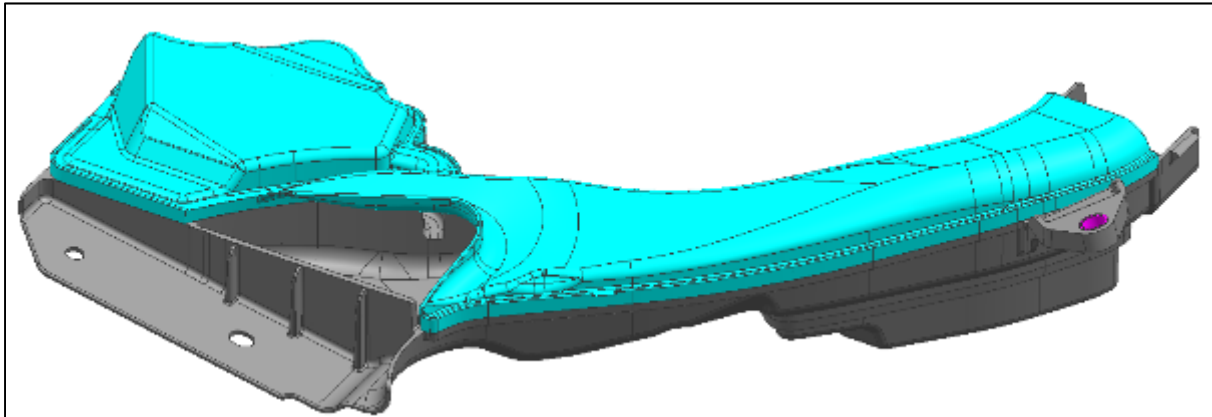


Figure 17

Old Air Duct

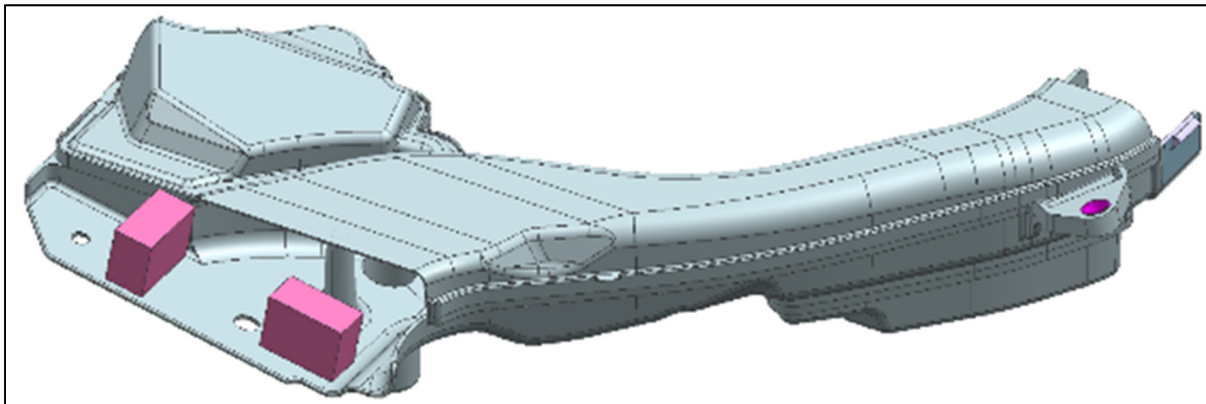


Figure 18

CLAIMS INFORMATION

Submit a Primary Part (PP) type line claim using the following claims coding:

DESCRIPTION	PFP	OP CODE	SYM	DIA	FRT
Clean Components, Replace Air Filter, Air Duct and Trim Hood Seal	(1)	BX7KAA	ZE	32	0.3
Install Foam Pieces (2)		BX7LAA			0.1
Replace Grille Spacer (2)		BX7MAA			0.1
Erase DTC Code(s) (2)		BX7NAA			0.1

- (1) Refer to the Electronics Part Catalog, and use the Air Duct (16554-*****) as the Primary Failed Part (PFP).
- (2) Operations are as needed. May not be required for all repairs.

NOTE: FRT allows adequate time to access DTC codes. No other diagnostic procedures subsequently required. Do NOT claim any Diagnostic Op Codes with this claim.

AMENDMENT HISTORY

PUBLISHED DATE	REFERENCE	DESCRIPTION
December 13, 2018	NTB18-084	Original bulletin published
January 22, 2021	NTB18-084a	Applied Vehicles and Parts Information updated, and steps added to the Service Procedure