

DO NEW CASCADIA TURN SIGNAL SWITCHES...



[Miguel Miera](#) 1 posts since Dec 5, 2014

DO NEW CASCADIA TURN SIGNAL SWITCHES RETURN TO ORIGINAL POSITION Jan 31, 2020 10:16 PM

CUSTOMER COMPLAINS THAT THE TURN SIGNAL SWITCH WILL NOT RETURN AFTER THE TURN IS COMPLETED. NOT SURE IF THIS IS NORMAL OR NOT ON NEW CASCADIAS?



[Michael Palumbo](#) 1,587 posts since Nov 13, 2014

Re: DO NEW CASCADIA TURN SIGNAL SWITCHES RETURN TO ORIGINAL POSITION Feb 1, 2020 1:34 AM

Auto cancel and non auto cancel are both options for P4 New Cascadia.

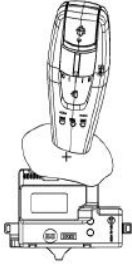
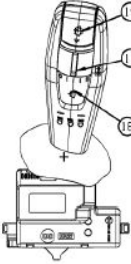
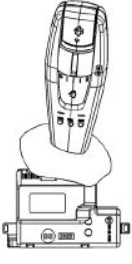
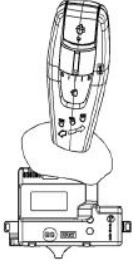
In partspro the description of the switch should indicate SWITCH-TURN SIG,WPR,SELF CNCL. check BOM 299



[Michael Palumbo](#) 1,587 posts since Nov 13, 2014

Re: DO NEW CASCADIA TURN SIGNAL SWITCHES RETURN TO ORIGINAL POSITION Feb 1, 2020 1:36 AM

DO NEW CASCADIA TURN SIGNAL SWITCHES...

NEW CUSTOMER No.	DAIMLER	A 009 545 51 24	A 009 545 52 24	-----	-----
NEW CUSTOMER No.	FREIGHTLINER	06-89334-002	-----	06-89334-003	06-89334-004
NEW TRW No.	DAIMLER	17017173-01	17017174-01	-----	-----
NEW TRW No.	FREIGHTLINER	17020383-01	-----	17017175-01	17037174-01
LEFT HAND DRIVE / RIGHT HAND DRIVE		LHD	LHD	LHD	LHD
MONTAGESEITE / MOUNTING SIDE		LEFT	LEFT	LEFT	LEFT
ELECTRICS: 12V / 24V VEHICLES		12V (DTNA), 24V	24V	12V (DTNA), 24V	12V (DTNA), 24V
ZGS		001	001	001	001
WEIGHT (Kg)		0.565	0.565	0.562	0.562
					
BASIS MODEL:					
INDICATOR LEFT		X	X	X	X
INDICATOR RIGHT		X	X	X	X
INDICATOR AUTO CANCELLATION SYSTEM		X	X	NO PAWL	X
HIGH BEAM		X	X	X	X
HIGH BEAM FLASH		X	X	X	X
PA-LEVER:					
WIPER POSITION 0		X	X	X	X
WIPER POSITION INTERMITTENT 1		X	X	X	X
WIPER POSITION INTERMITTENT 2		X	X	X	X
WIPER SPEED 1		X	X	X	X
WIPER SPEED 2		X	X	X	X
WINDSCREEN WASHING		X	X	X	X

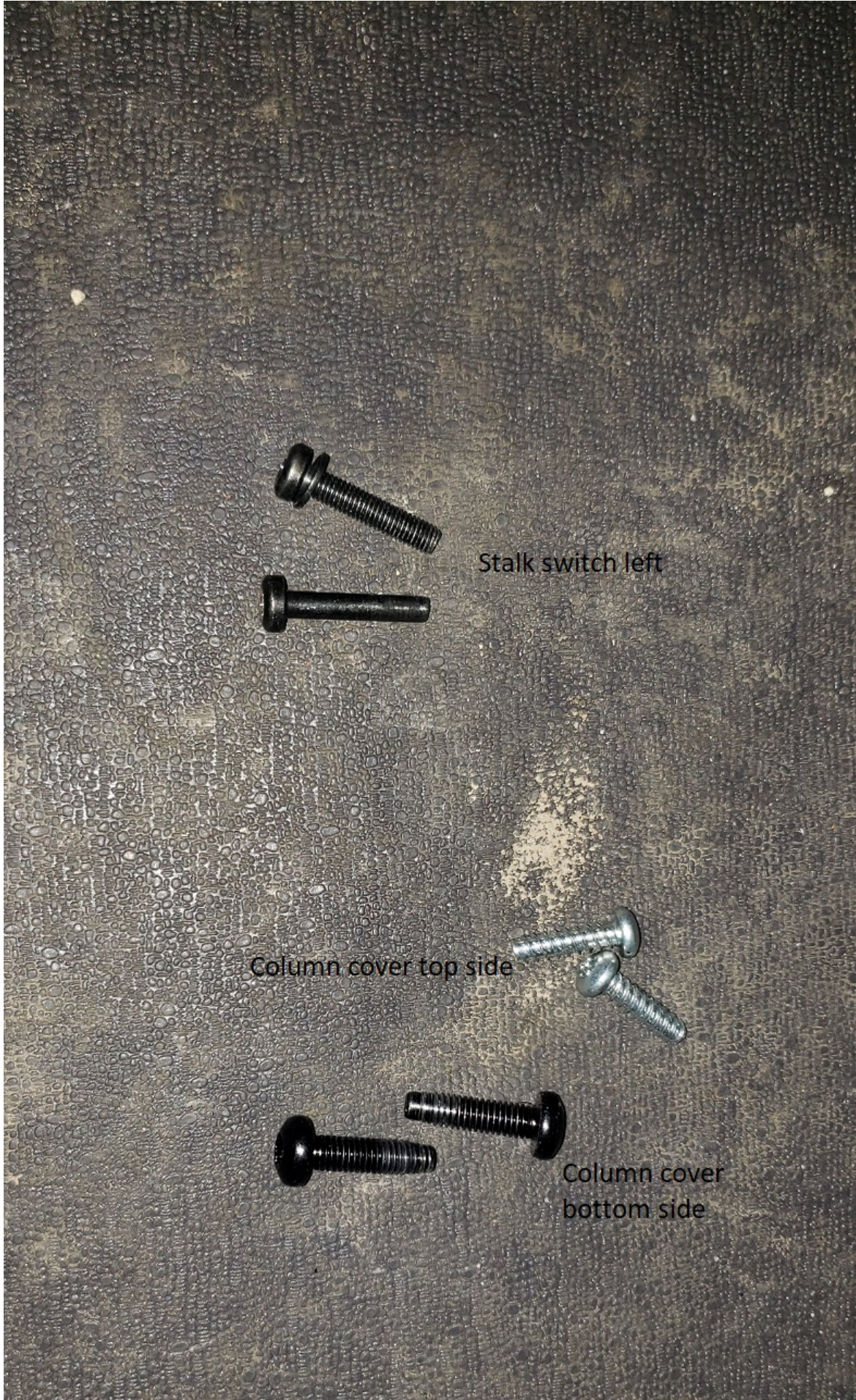


Michael Palumbo 1,587 posts since Nov 13, 2014

Re: DO NEW CASCADIA TURN SIGNAL SWITCHES RETURN TO ORIGINAL POSITION Jul 30, 2020 5:23 PM

2021 P4 in PDI would not cancel. Had correct SSL part number. Did not feel loose. Upper torx for SSL had no threads.

DO NEW CASCADIA TURN SIGNAL SWITCHES...



Stalk switch left

Column cover top side

Column cover bottom side

DO NEW CASCADIA TURN SIGNAL SWITCHES...



[Ray Braden](#) 1 posts since Jul 2, 2015

Re: DO NEW CASCADIA TURN SIGNAL SWITCHES RETURN TO ORIGINAL POSITION Jan 6, 2021 7:11 PM

Are you able to switch out a none return stalk switch for one that does after a turn? if so what all does it entail replacing?