



S.A.T.	238 MV
area	n°

# Service Bulletin

Service Bulletin - Technisches Rundschreiben - Circulaire Technique - Circular Tecnica

Date: **08 May 2020**

Subject: **New EAS cable layout**

Product: **Brutale 1000 Serie Oro - RR See attached VIN list**

NOTE: motorcycles with a VIN number higher than indicated have already been updated in MV Agusta

As part of the process of continuous improvement of the quality of our products, we inform you of the new positioning relative to the cable of the EAS cell, having found that on some vehicles the cable is in an incorrect position which could cause damage to the wiring itself and consequent malfunction of the electronic shift assistance system.

It will be necessary to modify the layout of the cable of the EAS cell following the indications below.

We kindly ask you to repositioning the cable BEFORE delivering the vehicle to the end customer.

For the motorcycles already sold, we ask you to replace the cable at the first available opportunity.

## REQUEST FOR WARRANTY REFUND FOR LABOR (PHASE 1):

To obtain a refund for the labour, in addition to the complete motorcycle data, it is necessary to send a Warranty claim using the following information:

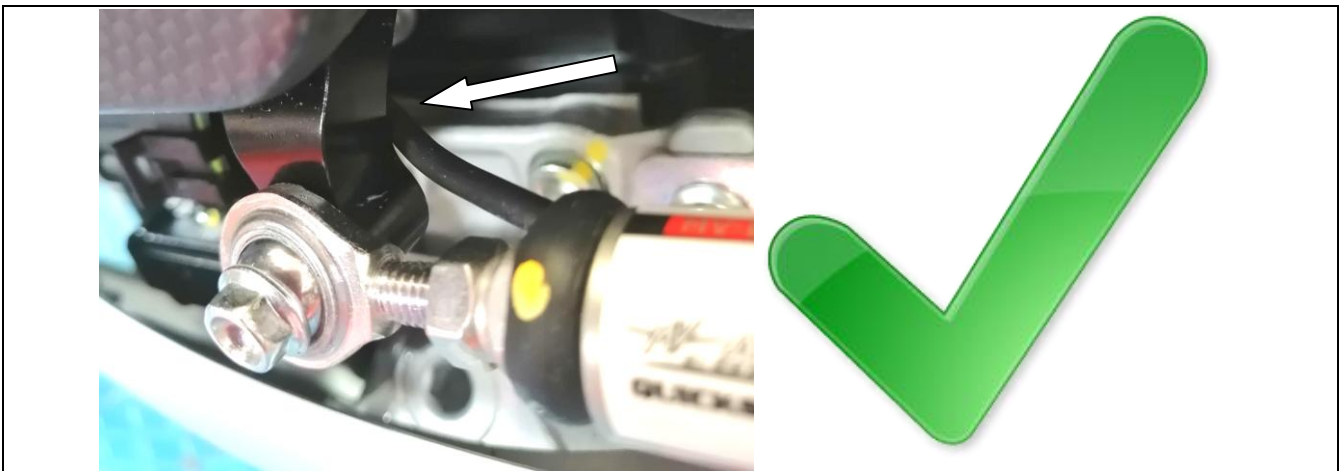
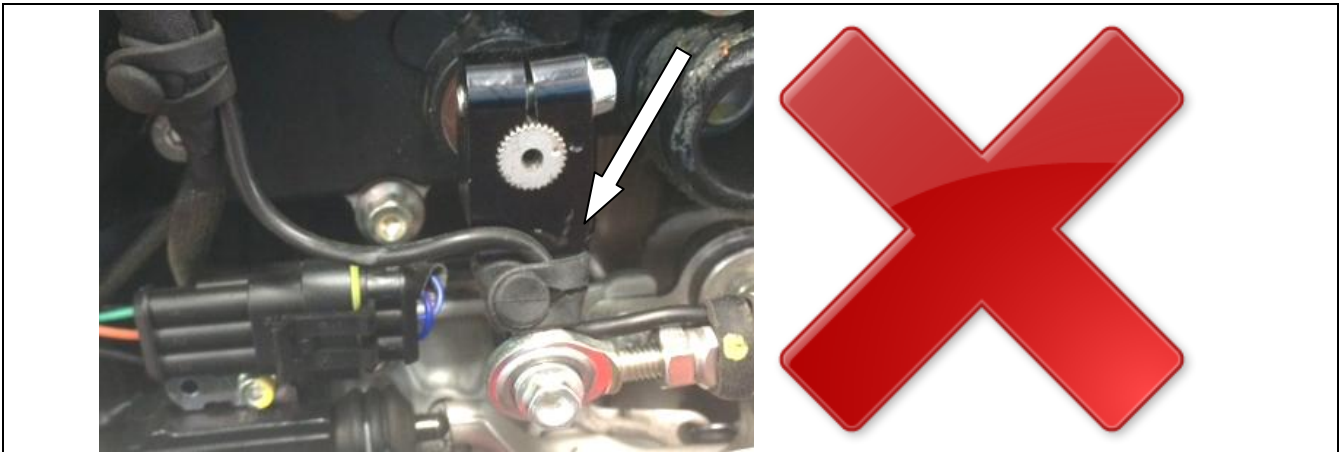
- Warranty type = 2 options available:
  - New motorcycles in stock NOT REGISTERED = GP
  - Motorcycles sold with activated warranty = GC
- Operation code: L032 with labour time of 0.1 hours
- Problem code: 034
- Problem date: date of insertion of warranty claim
- It is also mandatory to include the reference "CT 238" in the warranty claim's notes.

## WARRANTY REQUEST (PHASE 2):

After the validation of the warranty claim by the MV Agusta Technical Assistance Service, it will be necessary to complete the Warranty claim procedure by entering the repair date: the insertion of the repair date in the warranty claim is valid as certification of the successful upgrade of the motorcycle performed by the dealer and also allows the payment of labor for the work performed.

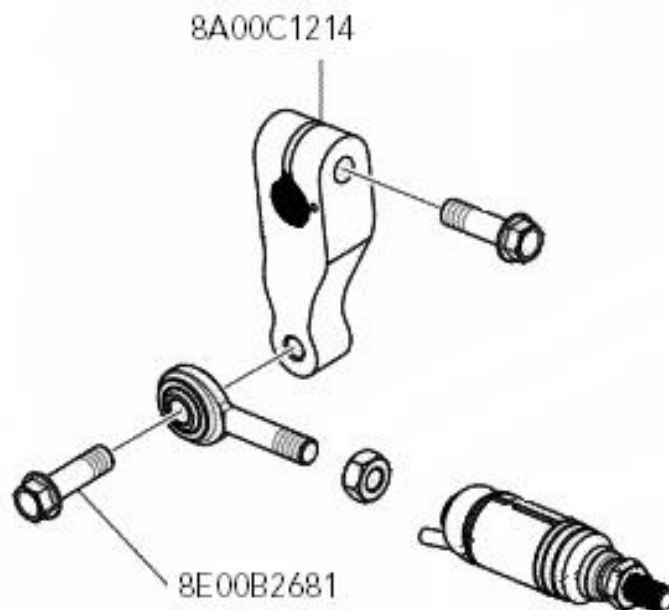
**NOTE: we remind you that according to the new warranty management functions and procedures, the insertion of the repair date is fundamental and mandatory as per technical communication no. 004/17.**

**Identification of the cable's layout:**

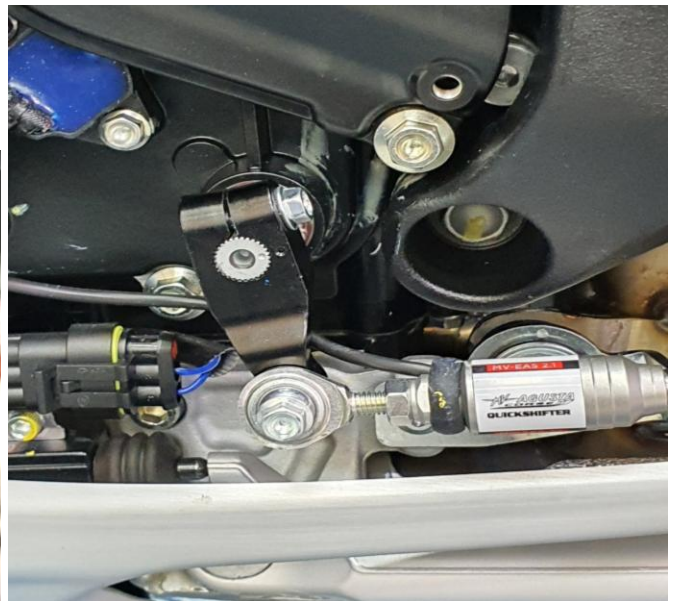
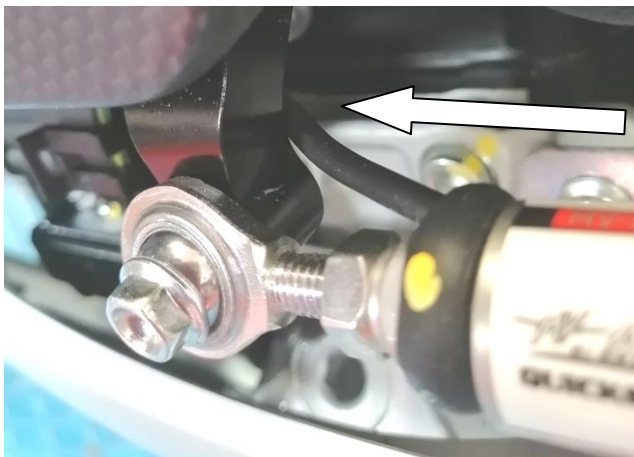
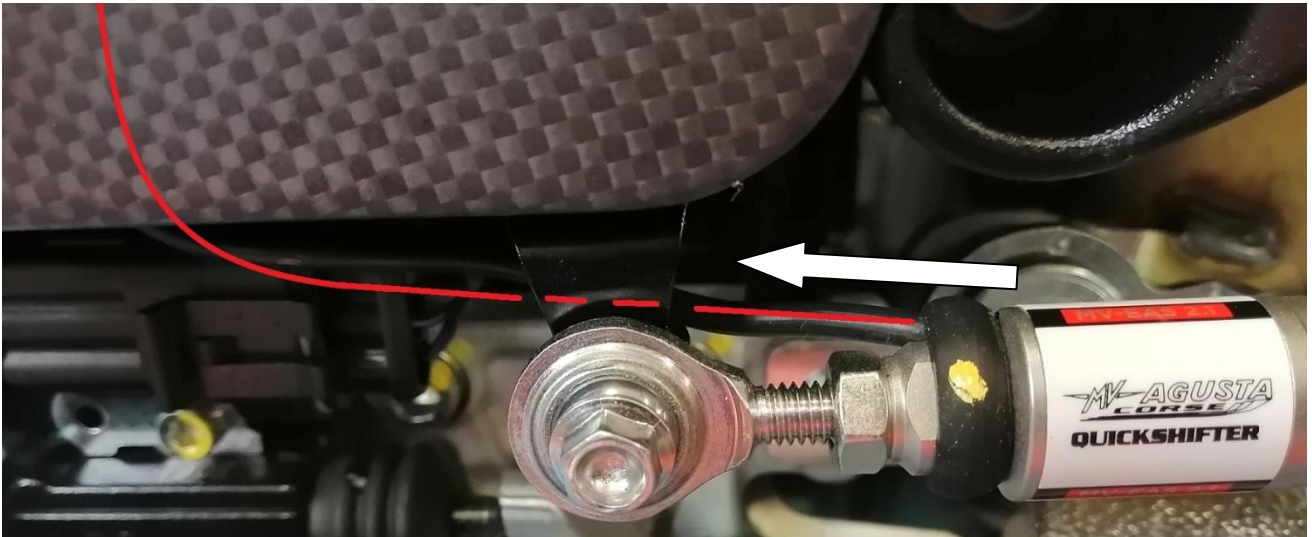


**Cable repositioning procedure:**

1. Remove the L40 rubber clamp on the 8A00C1214 gearbox connecting rod; the same must not be used in the new development of the cable passage.
2. Remove the M6X20 fixing screw cod. 8E00B2681 (Serie Oro- RR) on front side of the EAS rod:



3. Place the cable of the EAS cell IN THE BACK compared to the transmission connecting rod cod. 8A00C1214 as shown in the figure; make sure that the cable passes behind the transmission connecting rod without any interference: if necessary, rotate the EAS cell in order to have the cable with the most straight layout available and without interference with the transmission connecting rod cod. 8A00C1214.



Thanking you in advance for your collaboration, we remain at your disposal for any support.

Best regards  
MV AGUSTA MOTOR S.p.A.  
Technical Assistance Service

ZCGB710ABLV000016
ZCGB710ABLV000017
ZCGB710ABLV000018
ZCGB710ABLV000019
ZCGB710ABLV000020
ZCGB710ABLV000021
ZCGB710ABLV000022
ZCGB710ABLV000023
ZCGB710ABLV000024
ZCGB710ABLV000025
ZCGB710ABLV000029
ZCGB710ABLV000030
ZCGB710ABLV000031
ZCGB710ABLV000032
ZCGB710ABLV000033
ZCGB710ABLV000034
ZCGB710ABLV000035
ZCGB710ABLV000036
ZCGB710ABLV000037
ZCGB710ABLV000038
ZCGB710ABLV000039
ZCGB710ABLV000040
ZCGB710ABLV000041
ZCGB710ABLV000042
ZCGB710ABLV000043
ZCGB710ABLV000044
ZCGB710ABLV000045
ZCGB710ABLV000046
ZCGB710ABLV000047
ZCGB710ABLV000048
ZCGB710ABLV000049
ZCGB710ABLV000050
ZCGB710ABLV000051
ZCGB710ABLV000052
ZCGB710ABLV000053
ZCGB710ABLV000054
ZCGB710ABLV000055
ZCGB710ABLV000056
ZCGB710ABLV000057
ZCGB710ABLV000058

ZCGB710ABLV000059
ZCGB710ABLV000060
ZCGB710ABLV000061
ZCGB710ABLV000062
ZCGB710ABLV000063
ZCGB710ABLV000064
ZCGB710ABLV000065
ZCGB710ABLV000066
ZCGB710ABLV000067
ZCGB710ABLV000068
ZCGB710ABLV000069
ZCGSLFTWXLV000070
ZCGB710ABLV000071
ZCGB710ABLV000072
ZCGB710ABLV000073
ZCGB710ABLV000074
ZCGB710ABLV000075
ZCGB710ABLV000076
ZCGB710ABLV000077
ZCGB710ABLV000078
ZCGB710ABLV000079
ZCGB710ABLV000080
ZCGB710ABLV000081
ZCGB710ABLV000082
ZCGB710ABLV000083
ZCGB710ABLV000084
ZCGB710ABLV000085
ZCGB710ABLV000086
ZCGB710ABLV000087
ZCGB710ABLV000088
ZCGB710ABLV000089
ZCGB710ABLV000090
ZCGB710ABLV000091
ZCGB710ABLV000092
ZCGB710ABLV000104
ZCGB710ABLV000105
ZCGB710ABLV000108
ZCGB710ABLV000110
ZCGB710ABLV000111
ZCGB710ABLV000112

ZCGB710ABLV000113
ZCGB710AALV000134
ZCGB710AALV000135
ZCGB710AALV000136
ZCGB710AALV000137
ZCGB710AALV000138
ZCGB710AALV000139
ZCGB710AALV000140
ZCGB710AALV000141
ZCGB710AALV000142
ZCGB710AALV000143
ZCGB710AALV000144
ZCGB710AALV000145
ZCGB710AALV000146
ZCGB710AALV000147
ZCGB710AALV000148
ZCGB710AALV000149
ZCGB710AALV000150
ZCGB710AALV000151
ZCGB710AALV000152
ZCGB710AALV000154
ZCGB710AALV000155
ZCGB710AALV000156
ZCGB710AALV000157
ZCGB710AALV000158
ZCGB710AALV000160
ZCGB710AALV000161
ZCGB710AALV000162
ZCGB710AALV000163
ZCGB710AALV000164
ZCGB710AALV000165
ZCGB710AALV000166
ZCGB710AALV000167
ZCGB710AALV000168
ZCGB710AALV000169
ZCGB710AALV000170
ZCGB710AALV000171
ZCGB710AALV000172
ZCGB710AALV000176
ZCGB710AALV000177

ZCGB710AALV000178
ZCGB710AALV000179
ZCGB710AALV000180
ZCGB710AALV000181
ZCGB710AALV000182
ZCGB710AALV000183
ZCGB710AALV000184
ZCGPLFTW8LV000185
ZCGPLFTWXLV000186
ZCGPLFTW1LV000187
ZCGPLFTW1LV000190
ZCGPLFTW7LV000193
ZCGPLFTW9LV000194
ZCGPLFTW0LV000195
ZCGPLFTW2LV000196
ZCGPLFTW4LV000197
ZCGPLFTW6LV000198
ZCGPLFTW8LV000199
ZCGPLFTW0LV000200
ZCGPLFTW2LV000201
ZCGPLFTW4LV000202
ZCGPLFTW6LV000203
ZCGB710AALV000204
ZCGB710AALV000205
ZCGB710AALV000206
ZCGB710AALV000207
ZCGPLFTW5LV000208
ZCGB710AALV000209
ZCGB710AALV000210
ZCGB710AALV000211
ZCGB710AALV000212
ZCGB710AALV000213
ZCGB710AALV000214
ZCGB710AALV000215
ZCGB710AALV000216
ZCGB710AALV000217
ZCGB710AALV000218