



# Service Bulletin


Bulletin No.: 20-NA-225

Date: December, 2020

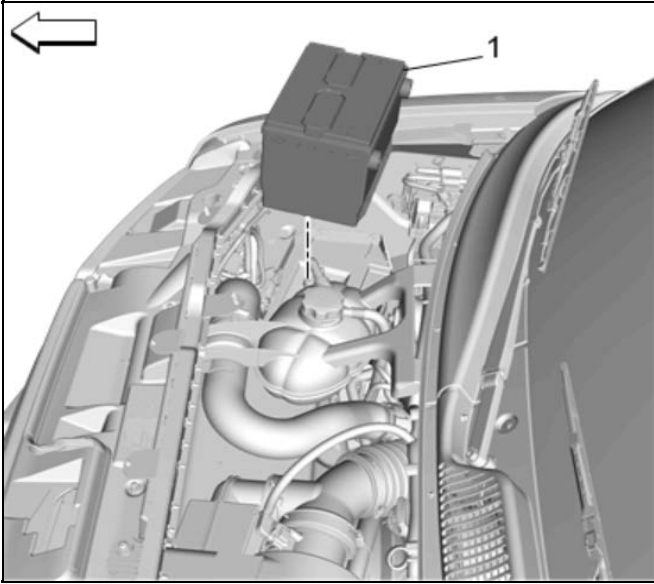
## TECHNICAL

**Subject: Low Battery Charge After Vehicle Sits for Short Period of Time**

Brand:	Model:	Model Year:		VIN:		Engine:	Transmission:
		from	to	from	to		
Chevrolet	Express	2021	2021			L8T	
GMC	Savana						

<b>Involved Region or Country</b>	North America, Israel
<b>Condition</b>	Some customers may comment on a low battery charge after sitting for a short period of time.
<b>Cause</b>	<p>This condition may be caused by a voltage draw.</p>  <p style="text-align: right;">5693951</p> <p>– The anti-rotation tabs on the positive side cables, located at the mega fuse, may contact the mega fuse mounting stud nuts.</p>
<b>Correction</b>	Trim the anti-rotation tabs on the positive battery cables located at Mega fuse.

## Service Procedure



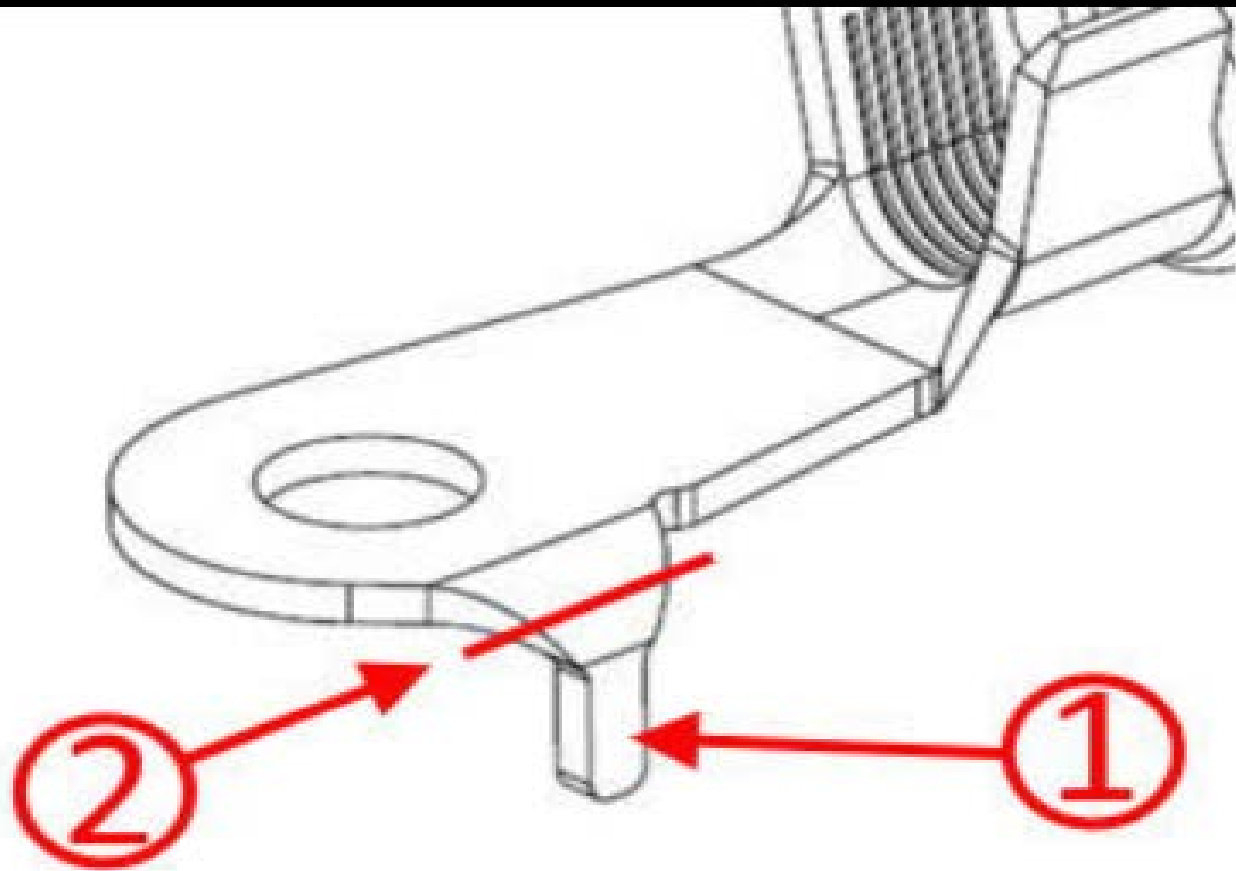
4597853

1. Remove the battery (1). Refer to *Battery Replacement* in SI.



5694188

2. Remove the Mega fuse cover (3).
3. Remove the fasteners that secure the pre (2) and post (1) positive cables to the fuse.



4. Starting from the bottom of the anti rotation tab (1), measure up approximately 2mm (2) as shown in the graphic above.



5693964

5. Utilizing cutters, cut the tabs from the cables.



5696911

**Note:** Only cut enough of the tab so that it does not contact the stud or the fastener as shown in the graphic above.



5693961

**Important: DO NOT** cut the all the anti rotation tab flush, as shown in the graphic above. Cutting the tab flush may cause the cables to rotate and contact the fasteners or the Mega fuse mounting studs.



5693978

6. Install the cables onto the Mega fuse post.

**Note:** When tightening the fasteners, hold the cables in a manner so they do not contact the studs as shown in the graphic above.

⇒ Tighten the fasteners to 20 N•m (15 lb ft).

7. Install the Mega fuse cover.

8. Install the battery. Refer to *Battery Replacement* in SI.

### Parts Information

No parts are required for this repair.

## Warranty Information

For vehicles repaired under the Bumper-to-Bumper coverage (Canada Base Warranty coverage), use the following labor operation. Reference the Applicable Warranties section of Investigate Vehicle History (IVH) for coverage information.

Labor Operation	Description	Labor Time
4087758*	Cut Pre and Post Positive Battery Cables Tabs at Mega Fuse	0.7 hr
*This is a unique Labor Operation for Bulletin use only.		

Version	2
Modified	Released December 15, 2020 Revised December 23, 2020 - Added new graphic for step 4 and 6, New Note and Important statement In Service Procedure section and Corrected the Torque Specification.

