



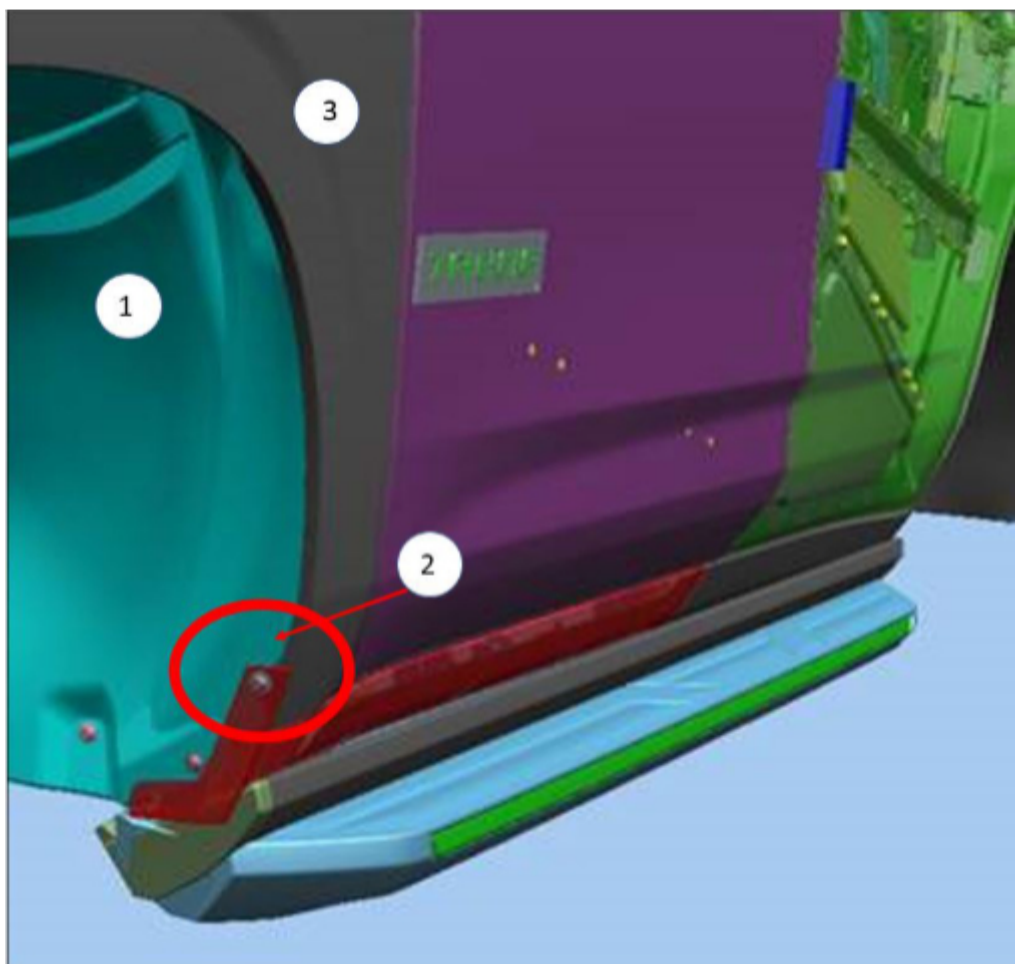
# Preliminary Information

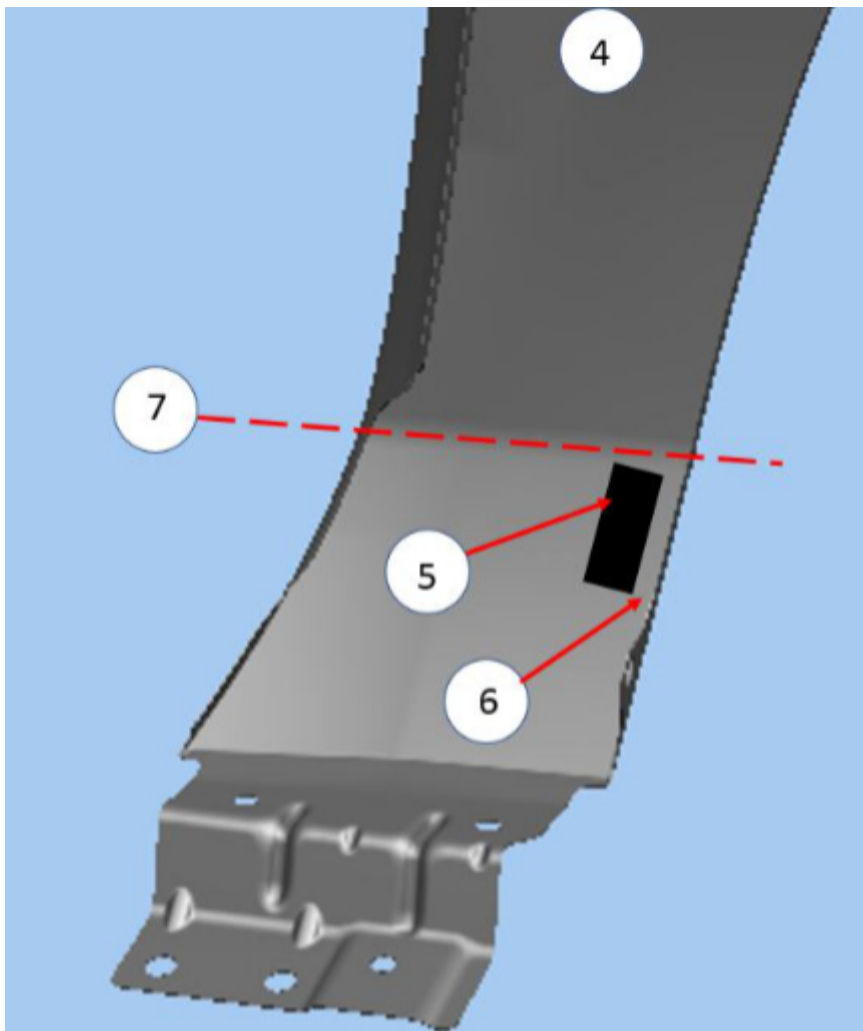
## PIT5765 Rattle Flutter Flapping Wind Noise Coming From The Left Or Right Front Of The Vehicle

### Models

Brand:	Model:	Model Years:	VIN:		Engine:	Transmissions:
			from	to		
Chevrolet	Tahoe	2021	All	All	All	All
GMC	Yukon Models	2021	All	All	All	All

Involved Region or Country	North America
Condition	Some customers may comment on a rattle, flutter, flapping, and/or wind type noise from the front end. The noise could be heard from either the left, right or both sides of the vehicle and may occur at higher speeds. In some cases, the noise may sound like it is coming from the windshield area.
Cause	The cause of the noise could be either the left or right front inner wheel well liner having excessive movement in the area shown below (2).





- 1 - Driver's wheel well liner
- 2 - Area where the wheel well liner is loose and making noise
- 3 - Driver's front fender
- 4 - Inboard side of the driver's front fender
- 5 - Foam/Butyl tape to be installed
- 6 - 10 mm gap between foam/butyl tape and flange on the fender
- 7 - Fender feature/body line

**Correction:**

To correct this concern apply a 1"x3"x1/4" thick piece of foam, or a couple layers of butyl tape to the inside of the fender as follows:

1. Partially remove the front wheel well liner to obtain access to the back/inboard side of the front fender (4).
2. If necessary, clean the back/inboard side of the fender to remove any dirt, mud, etc.
3. On the back/inboard side of the fender, start at the fender feature line (7) and 10mm from the fender flange (6), and place the 1"x3"x1/4" thick piece of foam or layers of butyl tape (5), as shown above.  
**Note: The foam/butyl needs to create a cross car interference with the fender liner return flange.**
4. Reinstall the front wheel well liner. With the foam/butyl installed it may be necessary to use a trim pick or similar tool to pull the wheel house liner to the full forward position.
5. Once the wheel well liner is installed there should be no fore/aft movement when the wheel well liner is tapped or lightly pushed on.

**Parts Information**

Description	Part Number
Foam 1"x3"x1/4" thick or Butyl Tape	Obtain locally

**Warranty Information**

For vehicles repaired under the Bumper-to-Bumper coverage (Canada Base Warranty coverage), use the following labor operation. Reference the Applicable Warranties section of Investigate Vehicle History (IVH) for coverage information.

Labor Operation	Description	Labor Time
-----------------	-------------	------------

*1086248	Road Test, Partially remove wheel well liner and install foam/butyl tape (one side)	0.7 Hr.
If necessary, add time to perform repair to opposite side		0.4 Hr.
*This is a unique Labor Operation for Bulletin use only.		

### Version History

Version	1
Modified	08/17/2020 - Created on.



GENERAL MOTORS

© 2021 General Motors. All Rights Reserved.