

JTBO0622NAS2

# TECHNICAL BULLETIN

16 DEC 2020



© Jaguar Land Rover North America, LLC

NOTE: The information in Technical Bulletins is intended for use by trained, professional Technicians with the knowledge, tools, and equipment required to do the job properly and safely. It informs these Technicians of conditions that may occur on some vehicles, or provides information that could assist in proper vehicle service. The procedures should not be performed by 'do-it-yourselfers'. If you are not a Retailer, do not assume that a condition described affects your vehicle. Contact an authorized Jaguar service facility to determine whether this bulletin applies to a specific vehicle.

## INFORMATION

---

**This reissue replaces all previous versions. Please destroy all previous versions.**

This bulletin supersedes TSB JTBO0622NAS1/2018 dated 24 MAY 2018, which should either be destroyed or clearly marked to show it is no longer valid (e.g. with a line across the page). Only refer to the electronic version of this Technical Bulletin in TOPIx.

Changes are highlighted in blue

---

## SECTION:

309-00

## SUBJECT/CONCERN:

Resonance/Vibration Into The Passenger Compartment At 1,500-2,200 Revolutions Per Minute (RPM)

---

## AFFECTED VEHICLE RANGE:

MODEL:	MODEL YEAR:	VIN:	ASSEMBLY PLANT:	APPLICABILITY:
--------	-------------	------	-----------------	----------------

MODEL:	MODEL YEAR:	VIN:	ASSEMBLY PLANT:	APPLICABILITY:
F-PACE (X761)	2017-2018	046303-049964	Solihull	INGENIUM I4 2.0L Diesel
F-PACE (X761)	2017	881324-899702	Solihull	INGENIUM I4 2.0L Diesel
F-PACE (X761)	2018-2020	240049-663002	Solihull	INGENIUM I4 2.0L Diesel
XF (X260)	2017-2020	Y11889-Y87654	Castle Bromwich	INGENIUM I4 2.0L Diesel

---

## MARKETS:

NORTH AMERICA

---

## CONDITION SUMMARY:

### SITUATION:

A vibration can be felt through the vehicle body, seating and steering wheel when the engine Revolutions Per Minute (RPM) are between 1500 RPM - 2200 RPM.

### CAUSE:

Incorrect exhaust alignment.

### ACTION:

Follow the instructions below.

---

## WARRANTY:

### NOTES:

- Repair procedures are under constant review, and therefore times are subject to change; those quoted here must be taken as guidance only. Use TOPIx to obtain the latest repair time.
- The JLR claims submission system requires the use of causal part numbers. Labor only claims must show the causal part number with a quantity of zero.

DESCRIPTION	SRO	TIME (HOURS)	CONDITION CODE	CAUSAL PART
Exhaust alignment	30.10.89.03	0.4	HZ	T4A11440

**NOTE:**

Normal Warranty procedures apply.

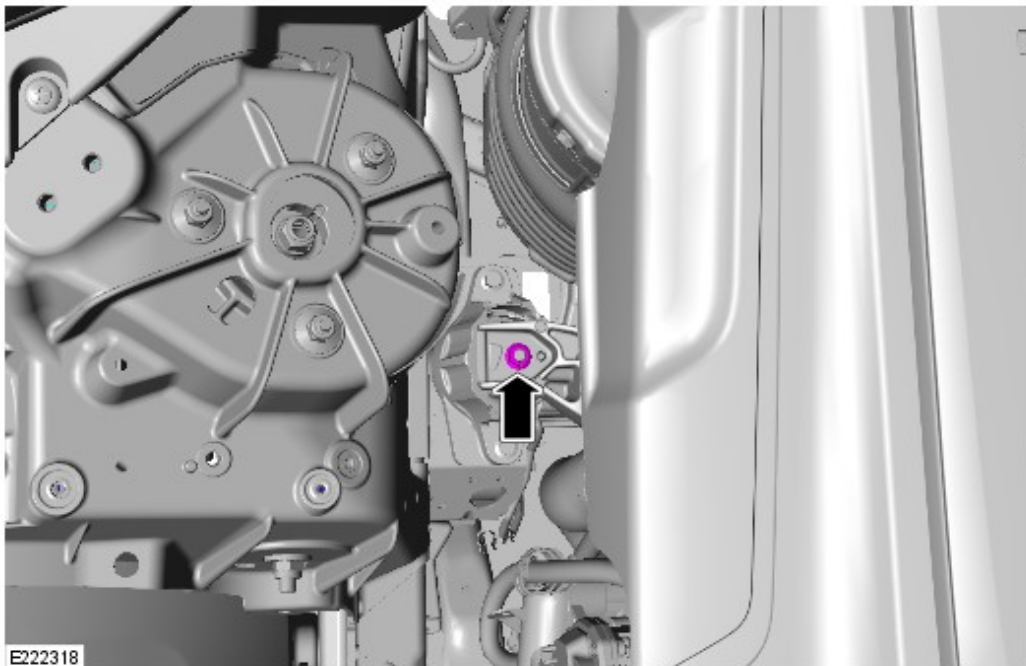
**SERVICE INSTRUCTION:****NOTES:**

- Some variation in the illustrations may occur, but the essential information is always correct.
- This procedure contains illustrations showing certain components removed to provide extra clarity.

## All vehicles

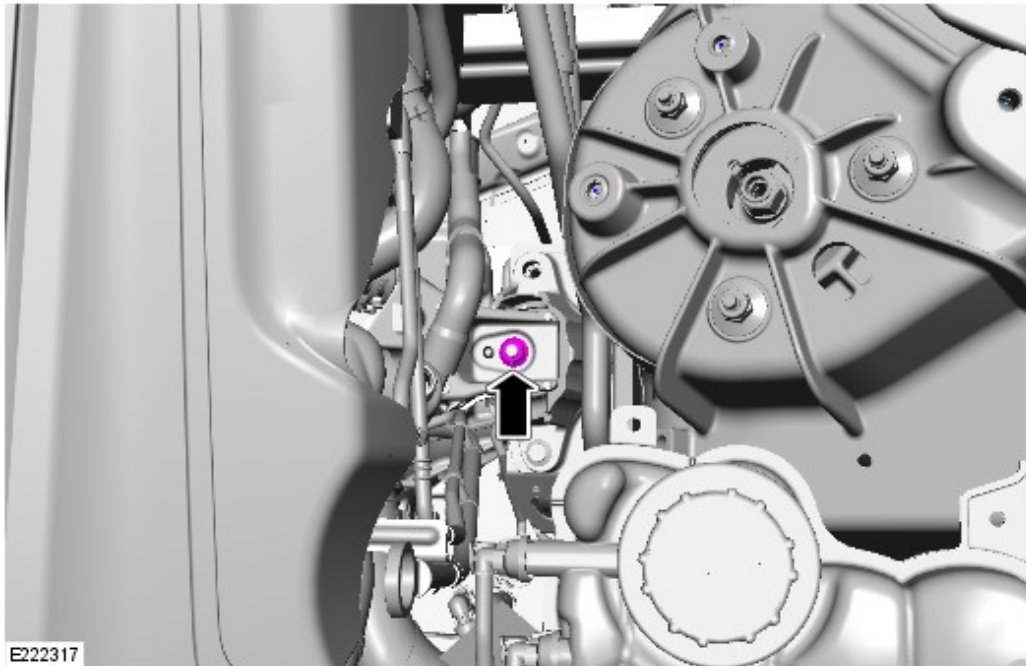
1. Open the hood.

- 2.



Loosen the right side engine mount nut.

3.



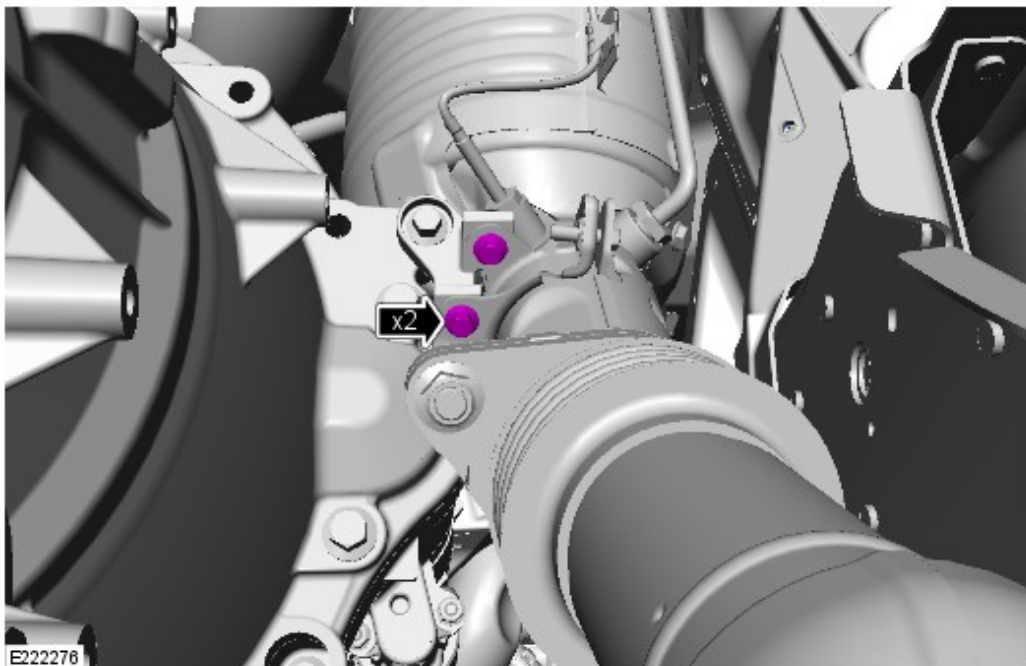
Loosen the left side engine mount nut.

4. Raise the vehicle on a ramp.

5.

**WARNING:**

Observe due care when working near a hot exhaust system.

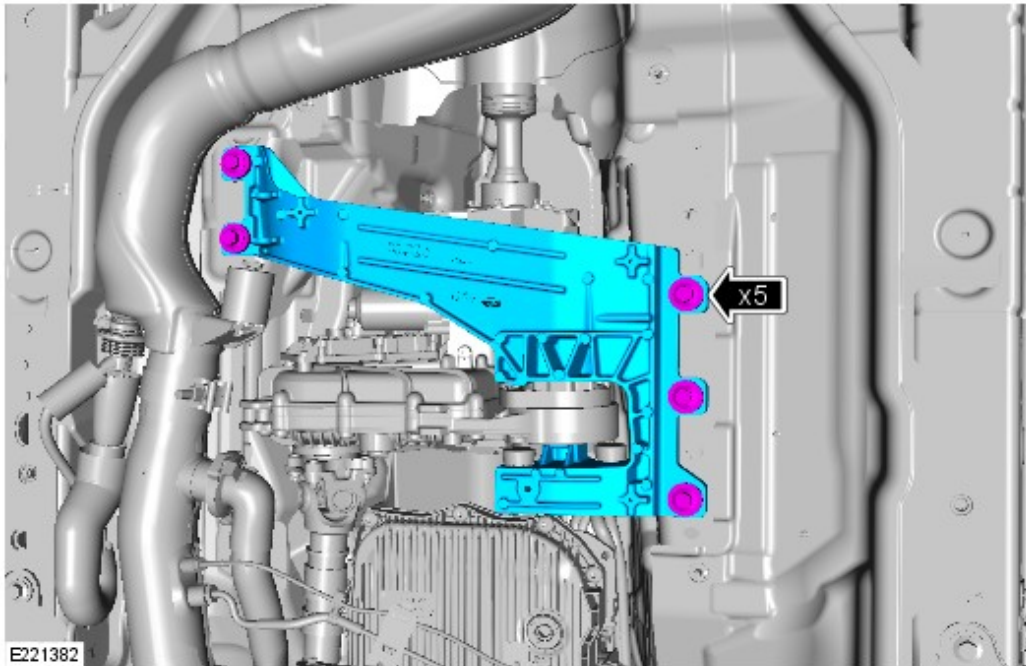


Loosen the Diesel Particulate Filter (DPF) fasteners.

### All Wheel Drive (AWD) vehicles

---

6.

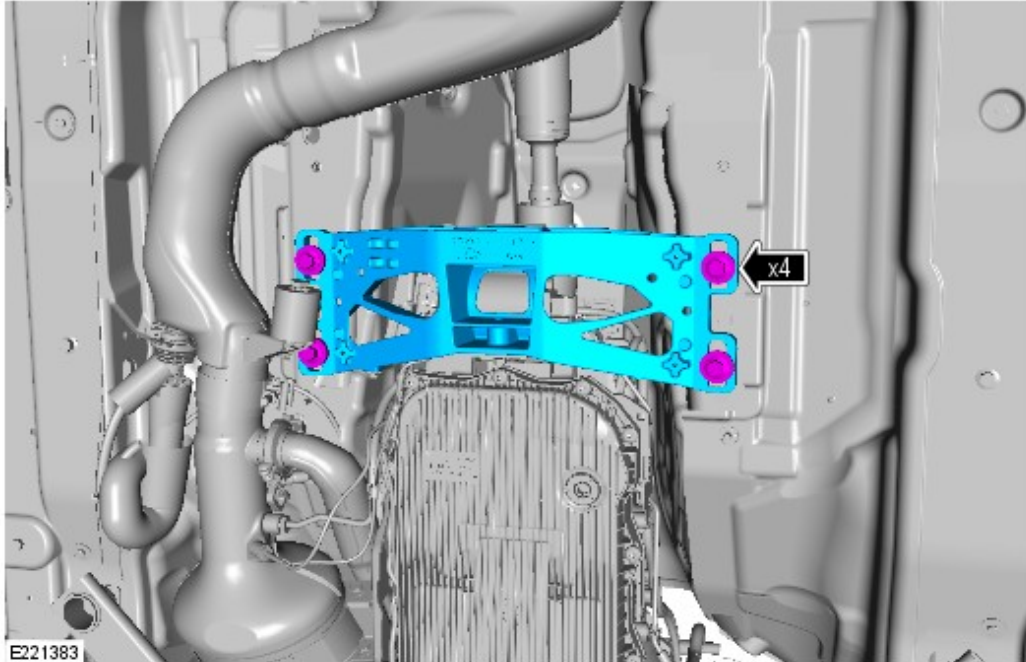


Loosen the transmission mount fasteners.

### Rear Wheel Drive (RWD) vehicles

---

7.



Loosen the transmission mount fasteners.

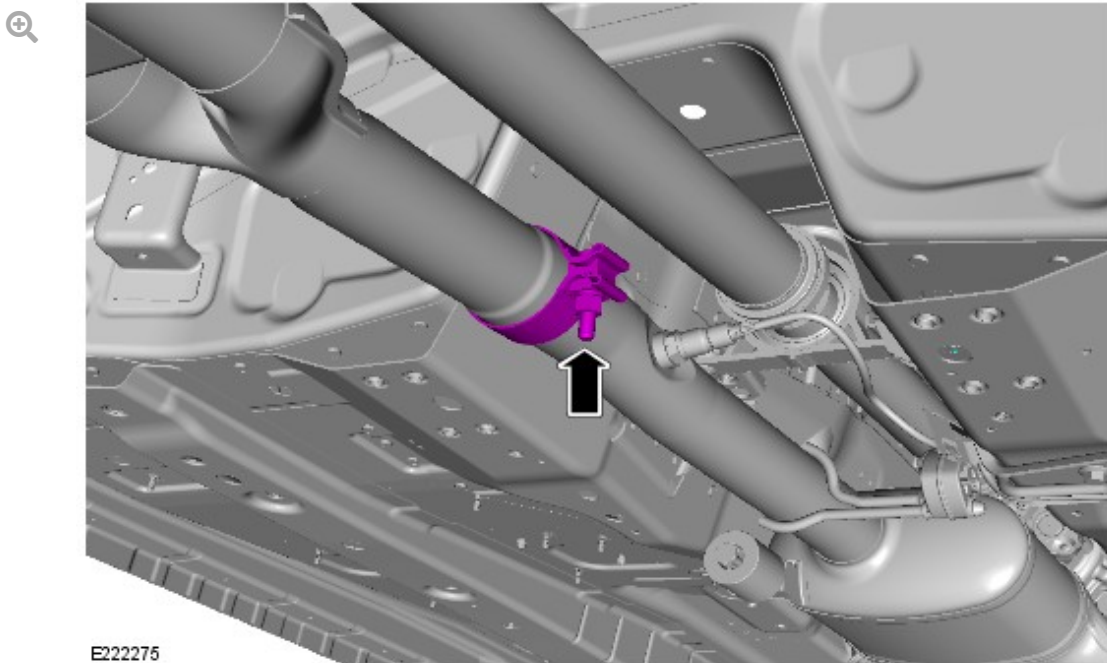
### All vehicles

---

8.

**WARNING:**

Observe due care when working near a hot exhaust system.



Loosen the exhaust clamp.

---

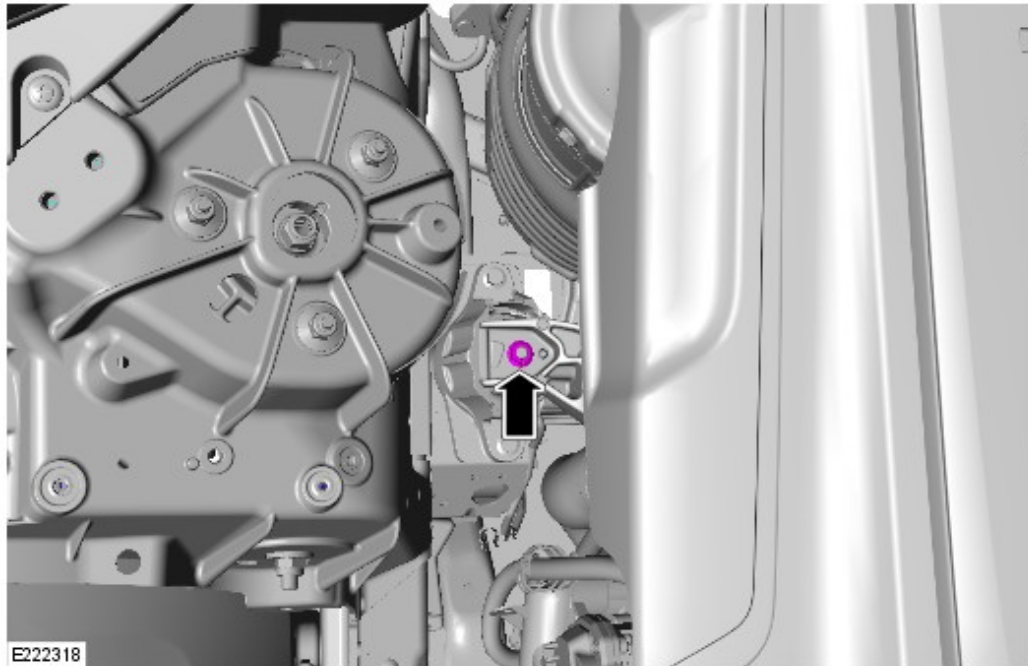
9. Lower the vehicle on the ramp.

---

10. To align the exhaust, follow the steps below.

- ■ Start and stop the engine 4 times
  - ■ Start the engine
  - ■ Raise the engine RPM to between 3000 RPM and 4000 RPM - Repeat this 5 times
  - ■ Stop the engine
  - ■ Start and stop the engine 5 times.
-

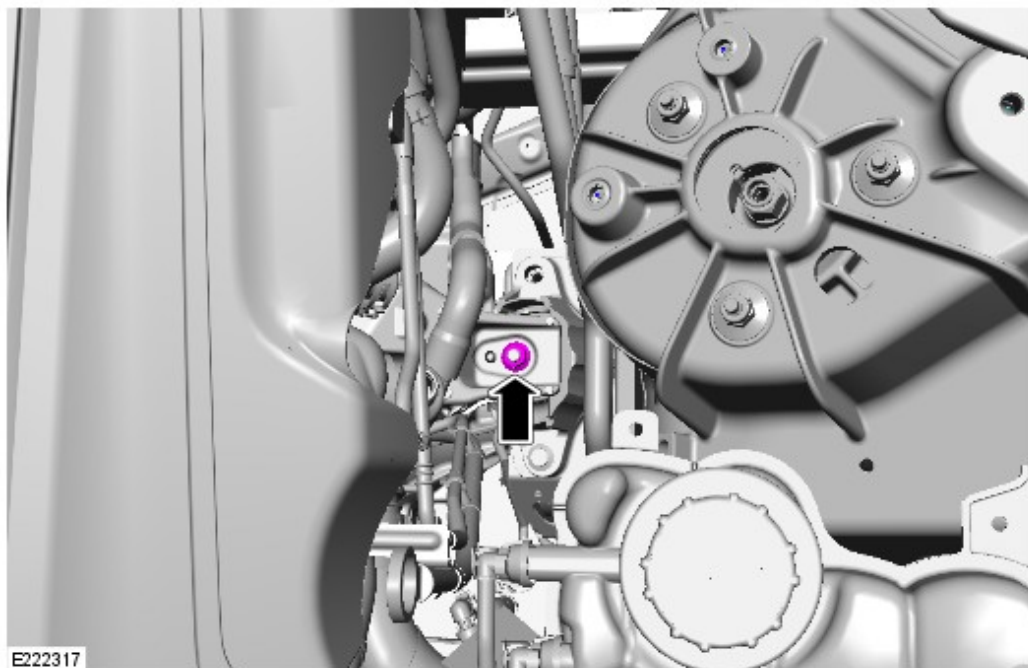
11.



Tighten the right side engine mount.

- ■ Torque: **60 Nm**

12.



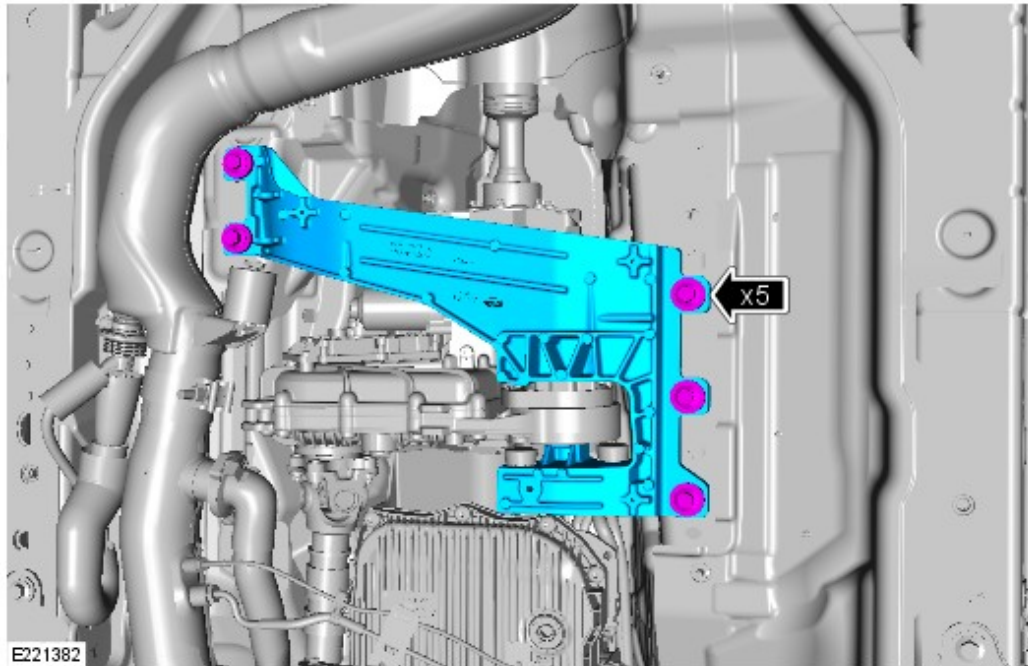
Tighten the left side engine mount.

- ■ Torque: **60 Nm**

13. Raise the vehicle on a ramp.

## AWD vehicles

14.

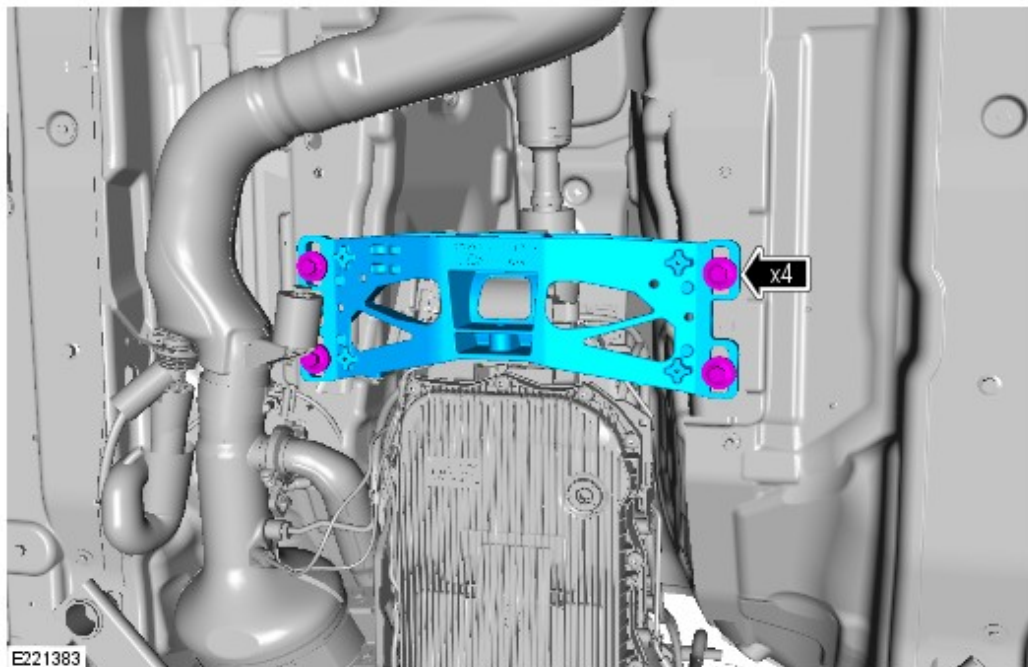


Tighten the transmission mount fasteners.

- ■ Torque: **60 Nm**

## RWD vehicles

15.



Tighten the transmission mount fasteners.

- ■ Torque: **60 Nm**



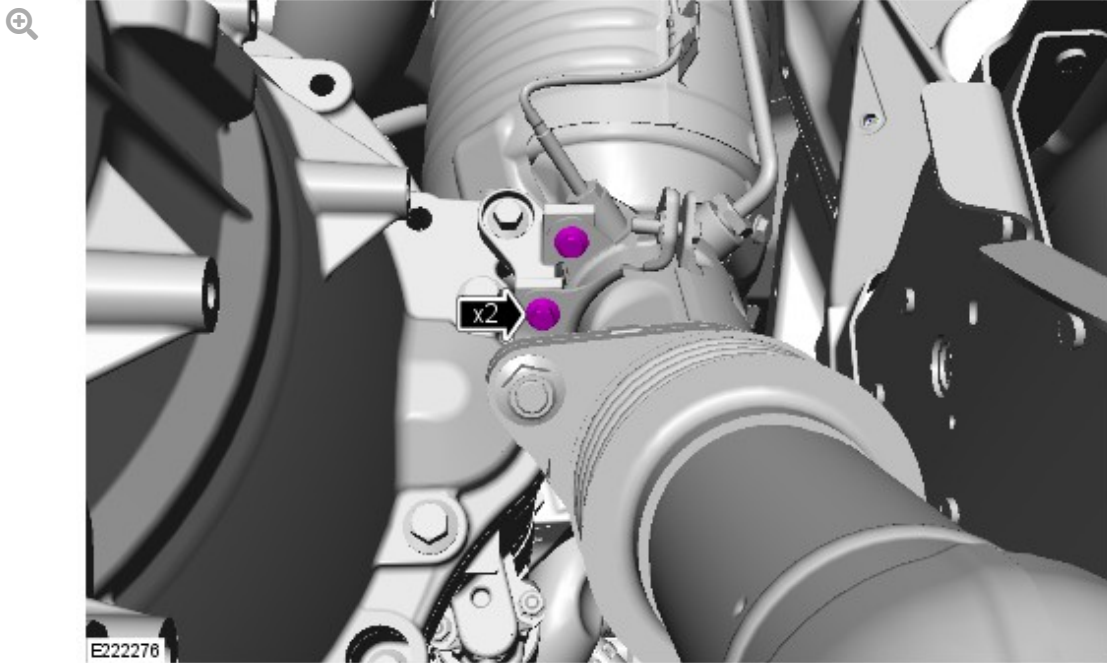
All vehicles

---

16.

**WARNING:**

Observe due care when working near a hot exhaust system.



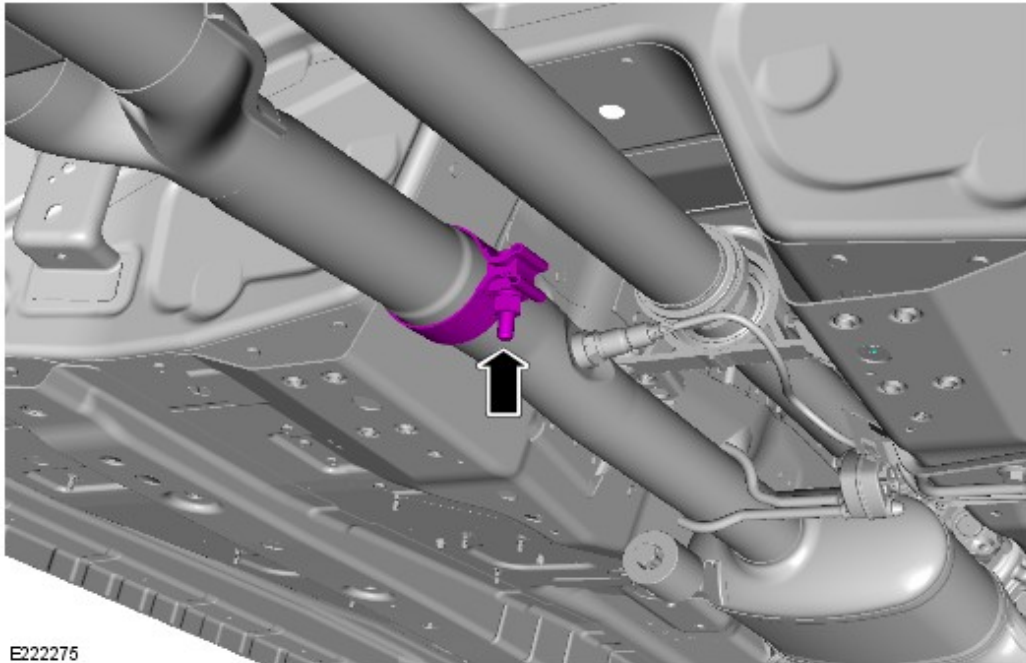
Tighten the DPF fasteners.

- ■ Torque: **25 Nm**

17.

**WARNING:**

Observe due care when working near a hot exhaust system.



E222275

Tighten the exhaust clamp.

- ■ Torque: **55 Nm**

---

18. Lower the vehicle on the ramp.

---

19. Close the hood.