

JTBO0579NAS2

TECHNICAL BULLETIN

16 DEC 2020



© Jaguar Land Rover North America, LLC

NOTE: The information in Technical Bulletins is intended for use by trained, professional Technicians with the knowledge, tools, and equipment required to do the job properly and safely. It informs these Technicians of conditions that may occur on some vehicles, or provides information that could assist in proper vehicle service. The procedures should not be performed by 'do-it-yourselfers'. If you are not a Retailer, do not assume that a condition described affects your vehicle. Contact an authorized Jaguar service facility to determine whether this bulletin applies to a specific vehicle.

INFORMATION

This reissue replaces all previous versions. Please destroy all previous versions.

This bulletin supersedes TSB JTBO0579NAS1/2017 dated 24 AUG 2017, which should either be destroyed or clearly marked to show it is no longer valid (e.g. with a line across the page). Only refer to the electronic version of this Technical Bulletin in TOPIx.

Changes are highlighted in blue

SECTION:

418-02

SUBJECT/CONCERN:

Transmission Electrical Wiring Harness Chafing on Rear Driveshaft

AFFECTED VEHICLE RANGE:

MODEL:	MODEL YEAR:	VIN:	ASSEMBLY PLANT:	APPLICABILITY:

MODEL:	MODEL YEAR:	VIN:	ASSEMBLY PLANT:	APPLICABILITY:
F-PACE (X761)	2017	045068-099996	Solihull	V6 S/C 3.0L Petrol , Vehicles With: 8HP70 8-Speed Automatic Transmission AWD
F-PACE (X761)	2017	488002-499998	Solihull	V6 S/C 3.0L Petrol , Vehicles With: 8HP70 8-Speed Automatic Transmission AWD
F-PACE (X761)	2017-2018	880002-899997	Solihull	V6 S/C 3.0L Petrol , Vehicles With: 8HP70 8-Speed Automatic Transmission AWD
F-PACE (X761)	2018	240000-257386	Solihull	V6 S/C 3.0L Petrol , Vehicles With: 8HP70 8-Speed Automatic Transmission AWD
XE (X760)	2017	921222-979442	Solihull	V6 S/C 3.0L Petrol , Vehicles With: 8HP70 8-Speed Automatic Transmission AWD
XE (X760)	2017-2018	P16868-P43412	Castle Bromwich	V6 S/C 3.0L Petrol , Vehicles With: 8HP70 8-Speed Automatic Transmission AWD
XF (X260)	2016-2018	Y00461-Y64400	Castle Bromwich	V6 S/C 3.0L Petrol , Vehicles With: 8HP70 8-Speed Automatic Transmission AWD

MARKETS:

NORTH AMERICA

CONDITION SUMMARY:

SITUATION:

A customer may express a concern of one or more of the following:

- '2 Wheel Drive Only Traction Reduced' message is displayed on the Instrument Panel Cluster (IPC).
- The Malfunction Indicator Lamp (MIL) is illuminated on the IPC.

A technician may find Diagnostic Trouble Code(s) (DTC) 'U0001-87 High Speed (HS) Controller Area Network (CAN) Comm bus missing message' stored in the Transmission Control Module (TCM).

CAUSE:

A missing cable tie on the transmission electrical wiring harness on All Wheel Drive (AWD) vehicles.

ACTION:

Follow the instructions below.

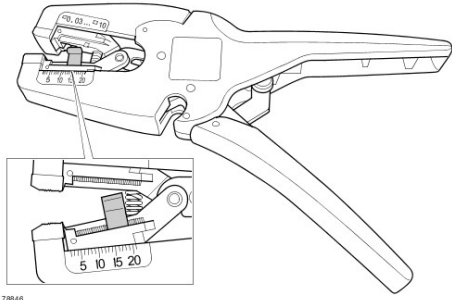
PARTS:

NOTE:

* - an allowance (\$10.00 USD [or local equivalent]) has been provided to cover the cost of the splice connectors, heatshrink, and cable tie. Claim using Sundry Code 'ZZZ001'.

PART NUMBER	DESCRIPTION	QUANTITY
C2D2087	Bolt	12
JDE6984	Locator	6
XR82889	Nut	4
XR836503	Stud	4
ZZZ001	Splice connectors, heatshrink, cable tie	\$10.00 USD

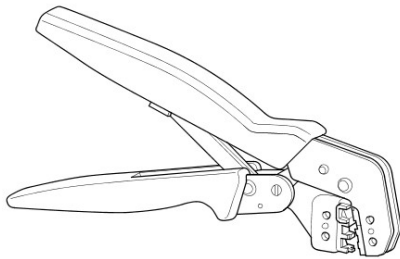
TOOLS:



E178846

418-672

Insulation (Wire) Stripper



E178856

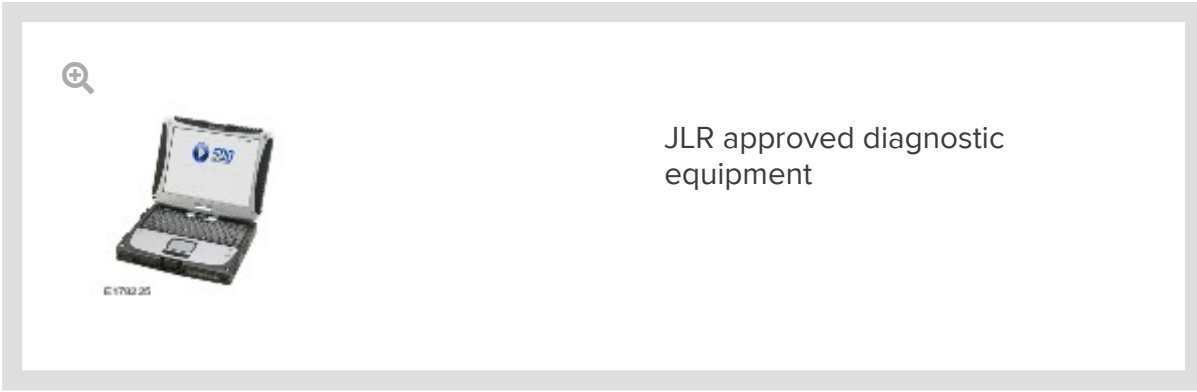
418-116A

Wire crimper

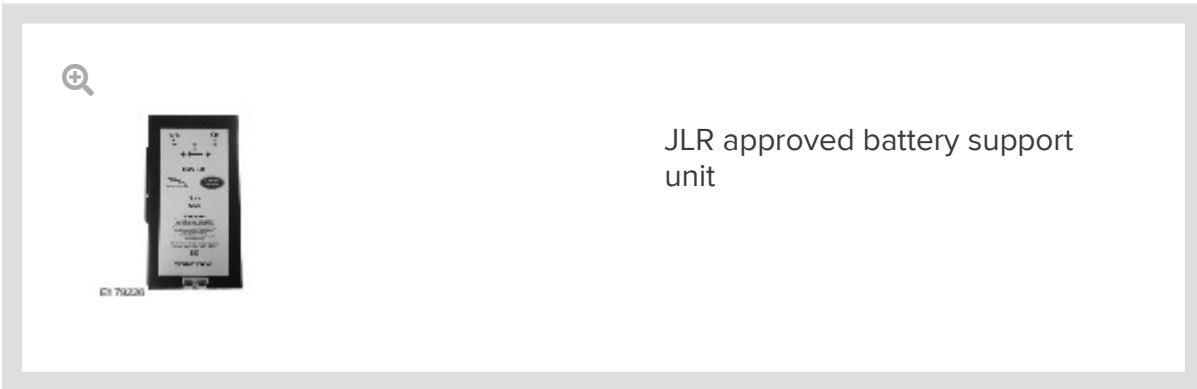


E208514

Jaguar Land Rover (JLR)
approved diagnostic equipment



JLR approved diagnostic equipment



JLR approved battery support unit

WARRANTY:

NOTES:

- Repair procedures are under constant review, and therefore times are subject to change; those quoted here must be taken as guidance only. Use TOPIx to obtain the latest repair time.
- The JLR claims submission system requires the use of causal part numbers. Labor only claims must show the causal part number with a quantity of zero.

DESCRIPTION	SRO	TIME (HOURS)	CONDITION CODE	CAUSAL PART
Transmission wiring harness - Repair	44.91.49	1.7	B4	AJ813905
Read and clear fault codes	86.99.78	0.2	B4	AJ813905

NOTE:

Normal Warranty procedures apply.

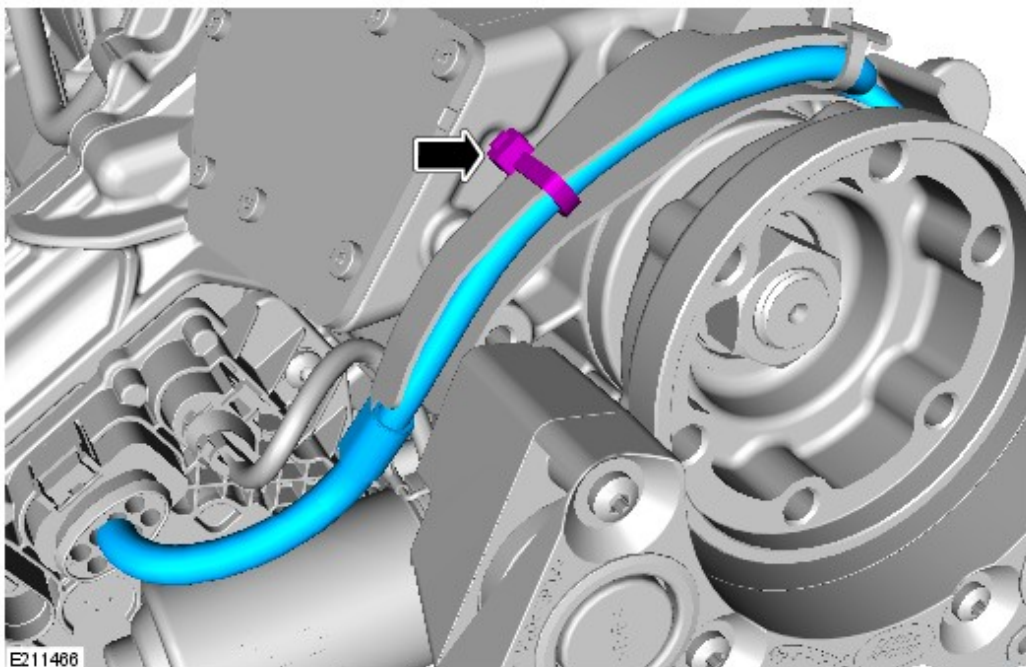
SERVICE INFORMATION:

1.



The illustration shows an example of the possible damage to the transmission electrical wiring harness.

2.



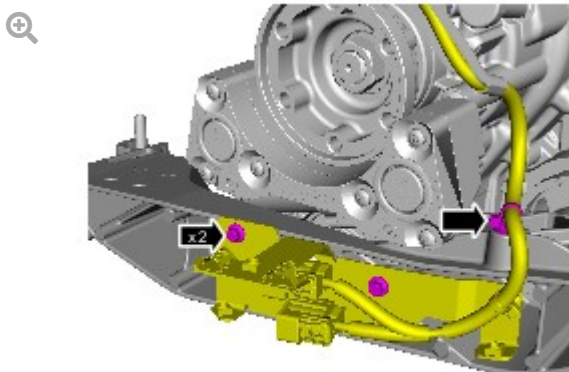
The illustration shows the cable tie that is missing on the transmission electrical wiring harness.

SERVICE INSTRUCTION:**NOTES:**

- This procedure contains illustrations showing certain components removed to provide extra clarity.
- This procedure may contain some variation in the illustrations depending on the vehicle specification, but the essential information is always correct.
- Removal steps in this procedure may contain installation details.

1. Inspect the transmission electrical wiring harness for damage:
 - ■ If the transmission electrical wiring harness is damaged **continue to step 2.**
 - ■ If the transmission electrical wiring harness is not damaged **continue with the diagnosis of the customer concern.**
2. Disconnect the startup battery ground cable (see TOPIx Workshop Manual section 414-01: Battery, Mounting and Cables, General Procedures - Battery Disconnect and Connect).
3. Remove the driveshaft (see TOPIx Workshop Manual section 205-01: Driveshaft - Removal and installation - Driveshaft - V6 S/C 3.0 Petrol).

4.

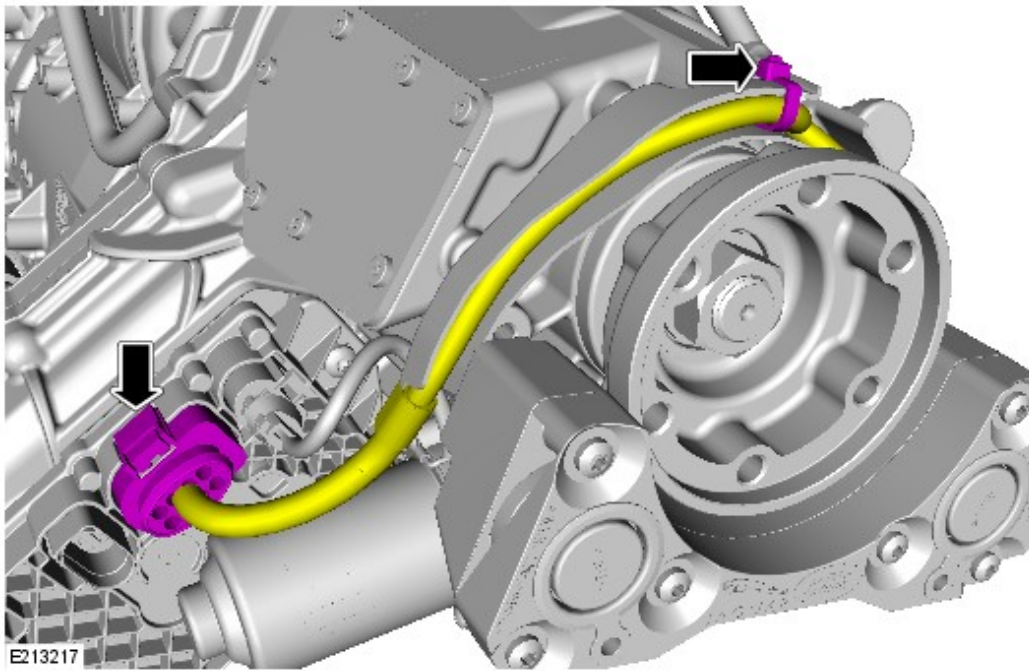


E181795

Release and reposition the transmission electrical wiring harness bracket.

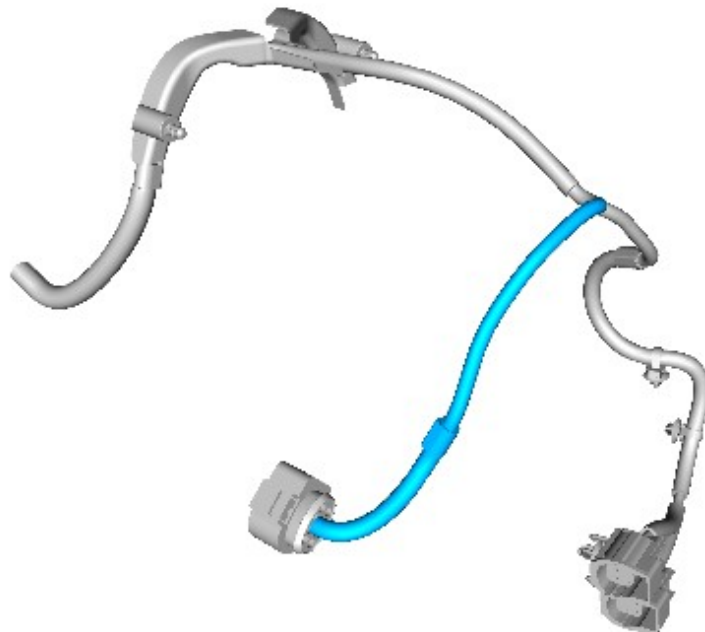
- ■ Torque: **10 Nm**

5.



Disconnect and reposition the transmission electrical wiring harness.

6.

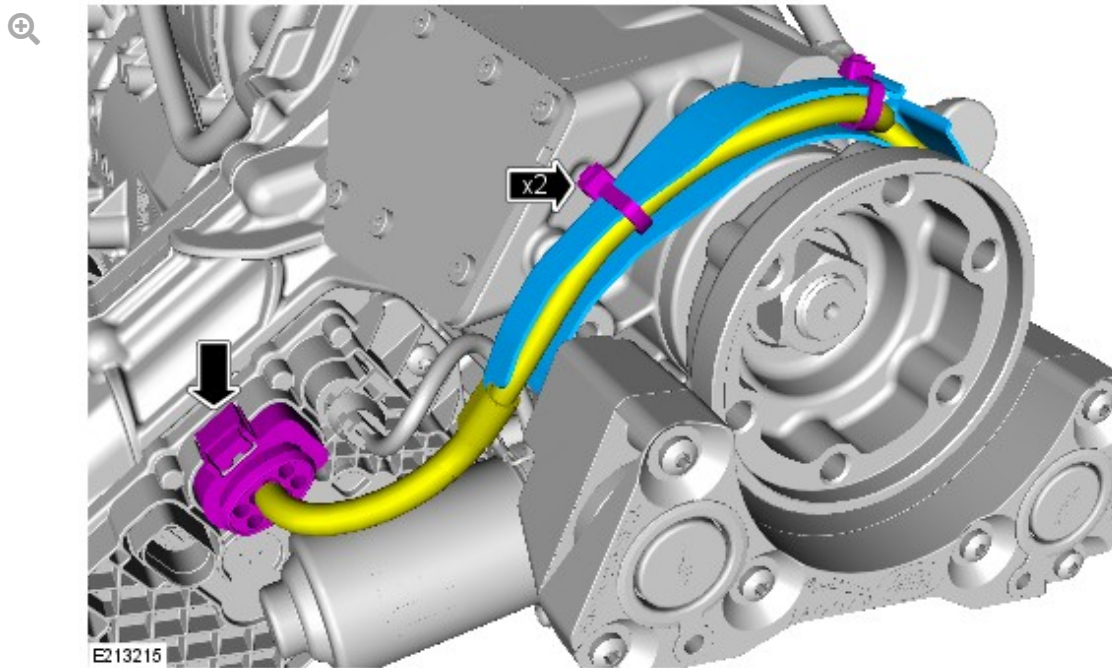


Inspect the transmission electrical wiring harness for damage and repair as required (see TOPlx Workshop Manual section 418-02: Wiring harnesses - General procedures - Wiring harness repair).

7.

NOTE:

Make sure to install the additional cable tie to the transmission electrical wiring harness.



Install the transmission electrical wiring harness.

-
8. To install, reverse the removal procedure.

 9. Using the JLR approved diagnostic equipment clear the DTCs.

DIAGNOSTIC INSTRUCTION:

2017 model year vehicles and earlier

1.

CAUTIONS:

- This procedure requires a minimum of SDD 160.02 and Software Management Pack 341 installed or later.
- All ignition ON/OFF instructions must be followed. Failure to complete these instructions may cause damage to the vehicle control modules.

NOTE:

The JLR approved diagnostic equipment will read the Vehicle Identification Number (VIN) for the vehicle and automatically take the vehicle out of 'Transportation Mode' if required.

Connect the JLR approved battery support unit.

2. Connect the JLR approved diagnostic equipment to the vehicle and begin a new session.

3. Follow the JLR approved diagnostic equipment prompts.

4. Using the JLR approved diagnostic equipment read the DTCs.

5. Using the JLR approved diagnostic equipment clear the DTCs.

6. When all of the tasks are complete, exit the current session by selecting the 'Session' tab and then select the 'Close Session' option.

7. Disconnect the JLR approved diagnostic equipment and the JLR approved battery support unit.

DIAGNOSTIC INSTRUCTION:

2018 model year vehicles and later

1.

CAUTIONS:

- This procedure requires a minimum of Pathfinder 310 installed or later.
- All ignition ON/OFF instructions must be followed. Failure to complete these instructions may cause damage to the vehicle control modules.

NOTE:

The JLR approved diagnostic equipment will read the VIN for the vehicle and automatically take the vehicle out of 'Transportation Mode' if required.

Connect the JLR approved battery support unit.

2. Connect the JLR approved diagnostic equipment to the vehicle and begin a new diagnostic session.

3. Follow the JLR approved diagnostic equipment prompts.

4. Select 'ECU Diagnostics'.

5. Select 'All DTCs'.

6. Select 'Clear all DTCs'.

7. Follow all on-screen instructions to complete this task.

8. When all of the tasks are complete, exit the current session.

9. Disconnect the JLR approved diagnostic equipment and the JLR approved battery support unit.