

December 24, 2020

Version 1

MIL is Flashing with Loss of Power

AFFECTED VEHICLES

Year	Model	Trim Level	VIN Range
2019-21	RDX	ALL	ALL

SYMPTOM

The MIL is flashing with loss of power.

POSSIBLE CAUSE

Humid air within the intake tract may condense and accumulate excessive moisture during steady driving.

CORRECTIVE ACTION

Update the PGM-FI software and replace the intercooler, the intercooler outlet pipe assembly, and the intercooler outlet hose.

PARTS INFORMATION

Part Name	Part Number	Quantity
Intercooler Kit	06198-5YF-305	1

REQUIRED MATERIALS

Part Name	Part Number	Quantity
Honda TB2720C Water Base Lubricant (1 bottle will repair 20 vehicles)	08734-0013	1

CLIENT INFORMATION: The information in this bulletin is intended for use only by skilled technicians who have the proper tools, equipment, and training to correctly and safely maintain your vehicle. These procedures should not be attempted by "do-it-yourselfers," and you should not assume this bulletin applies to your vehicle, or that your vehicle has the condition described. To determine whether this information applies, contact an authorized Acura automobile dealer.

WARRANTY CLAIM INFORMATION

Operation Number	Description	Flat Rate Time	Defect Code	Symptom Code	Template ID	Failed Part Number
1115A6	Update the PGM-FI software, and replace the intercooler.	1.5 hr	00701	03217	B20053A	19710-6B2-A01
1115A6A	Update the PGM-FI software, and replace the intercooler. For multi view camera adjustment (includes picture inspection) and Fog light aim- add	1.9 hr			B20053B	
1115A6B	Update the PGM-FI software, and replace the intercooler. For multi view camera adjustment only (includes picture inspection)- add	1.8 hr			B20053C	
1115A6C	Update the PGM-FI software, and replace the intercooler. For fog light aim only - add	1.6 hr			B20053D	

Skill Level: Repair Technician

SOFTWARE INFORMATION

NOTE

Unnecessary or incorrect repairs resulting from a failure to update the i-HDS are not covered under warranty.

Before beginning the repair, make sure all diagnostic and reprogramming software are updated as listed.

i-HDS Software Version	1.006.013 or later
HDS Software Version	3.104.014 or later
J2534 Rewrite Software Information	
PC Application Version	1.2.1.1
Database Update	21-DEC-2020 or later
NoticeDB Version	21-DEC-2020 or later

Do only the update listed in this service bulletin.

To update the software you must use the the DST-i interface in conjunction with the J2534 Rewrite PC application on the i-HDS.

For more information about updating the i-HDS, and vehicle systems, refer to service bulletin 01-026, *Updating Control Units/Modules*.

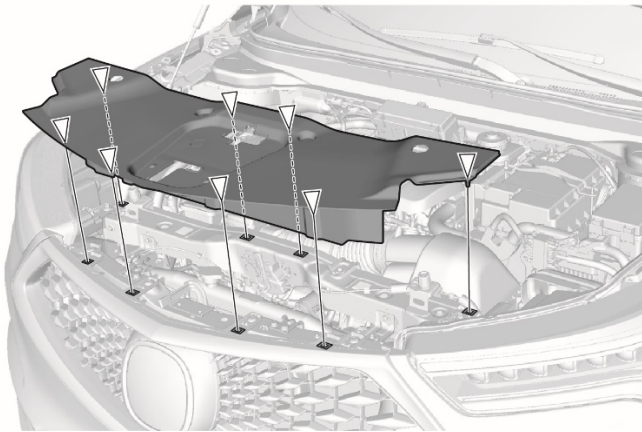
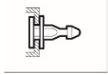
Year/Model	Vehicle System	Program ID (or later)
2019 RDX Advance	PGM-FI	37805-5YF-C510
2019 RDX Advance (SH-AWD)		37805-5YF-C710
2019 RDX A Spec, Base, Tech		37805-5YF-A910
2019 RDX A Spec (SH-AWD), Base (SH-AWD), Tech (SH-AWD)		37805-5YF-C810
2020 RDX Advance		37895-5YF-A140
2020 RDX Advance (SH-AWD)		37895-5YF-A240
2020 RDX A Spec, Base, Tech		37895-5YF-A340
2020 RDX A Spec (SH-AWD), Base (SH-AWD), Tech (SH-AWD)		37895-5YF-A440
2021 RDX Advance		37805-5YF-C120
2021 RDX Advance (SH-AWD)		37805-5YF-C220
2021 RDX A Spec, Base, Tech		37805-5YF-C320
2021 RDX A Spec (SH-AWD), Base (SH-AWD), Tech (SH-AWD)		37805-5YF-C420

UPDATE THE PGM-FI SOFTWARE

You must update the PGM-FI software using the i-HDS J2534 rewrite software with the DST-I for this repair to be complete. Refer to Service Bulletin 01-026, *Updating Control Units and Modules* for more information.

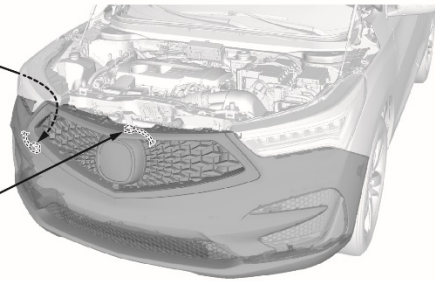
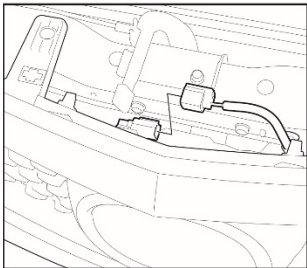
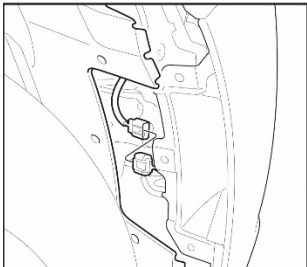
REPAIR PROCEDURE

1. Remove the front grille cover.

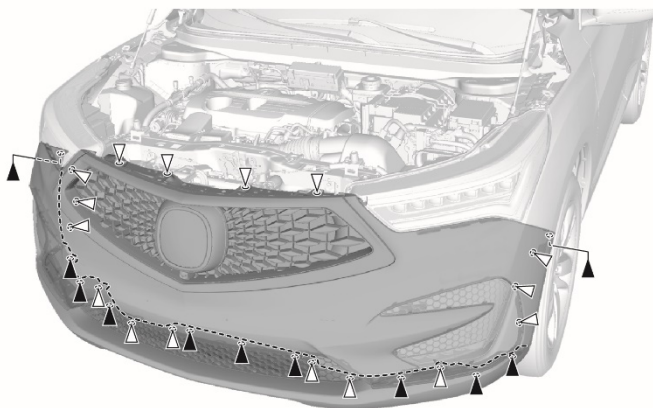


2. Remove the front bumper to gain access to the intercooler.

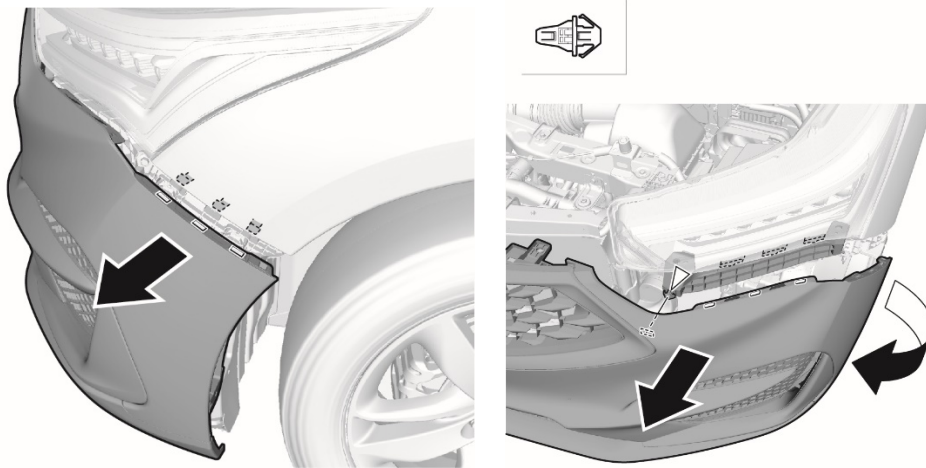
- For some models, disconnect the connectors.



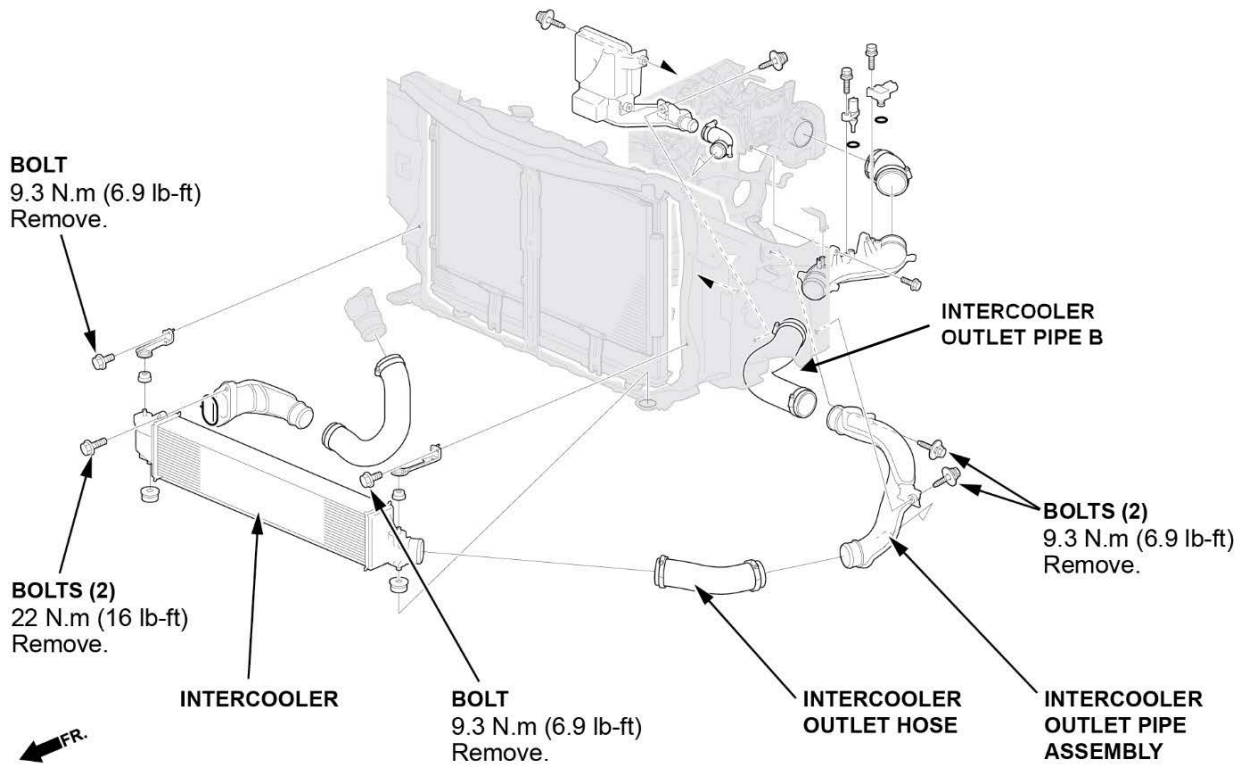
- Remove the fasteners.



- Release the clips.

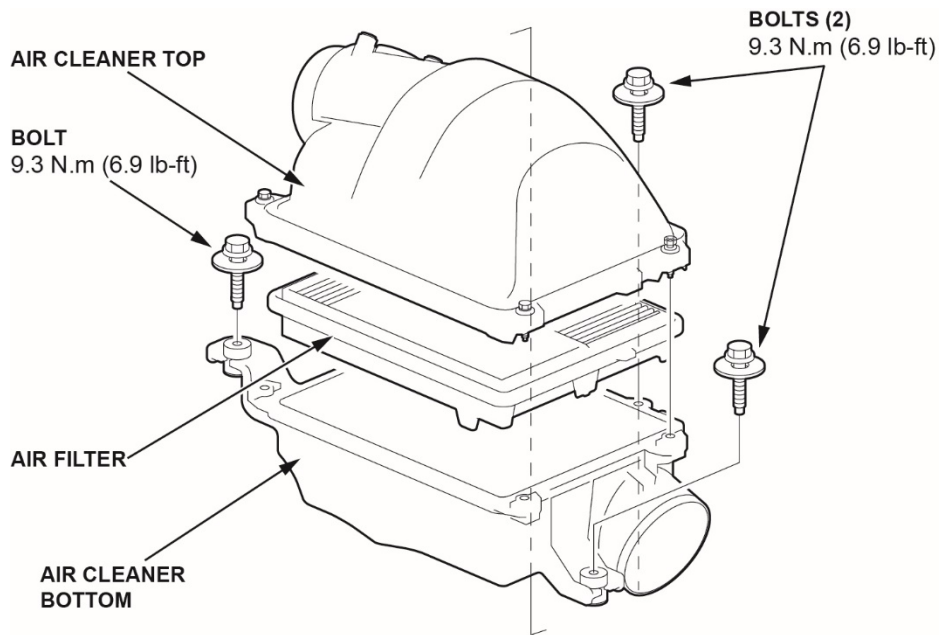


3. Remove the intercooler.



4. Remove the intercooler outlet hose.

5. Remove the intercooler outlet pipe assembly (to access the top hose clamp you must remove the air cleaner case).



6. Install the new intercooler and new gasket from the kit. Then, reuse the rubber mounts and mounting hardware and torque the two mount bolts to **9.3 N.m (6.9 lb-ft)** and the two bolts connecting the intercooler to the inlet pipe to **22 N.m (16 lb-ft)**.



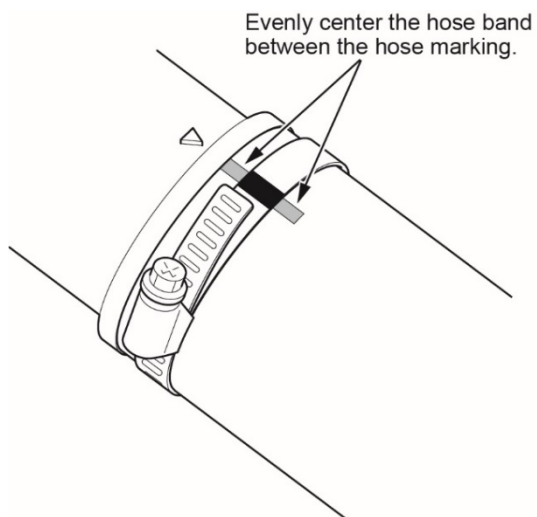
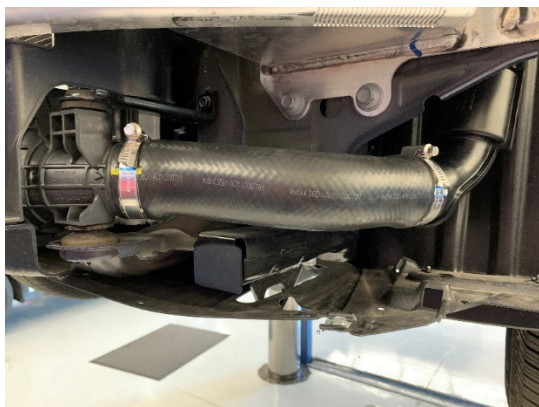
- Transfer the mounting hardware. Then, install the intercooler outlet pipe assembly to the vehicle, and torque the two bolts to **9.3 N.m (6.9 lb-ft)**.

NOTE

If necessary, use Honda TB2720C Water Base Lubricant (P/N 08734-0013) when sliding on the hose. See job aid, *Turbocharger Hose and Hose Band Guidelines*.



- Slide the intercooler outlet hose onto the intercooler outlet pipe assembly. Then, install the hose band into position by lining up the paint mark, and the mark on the intercooler outlet pipe assembly.

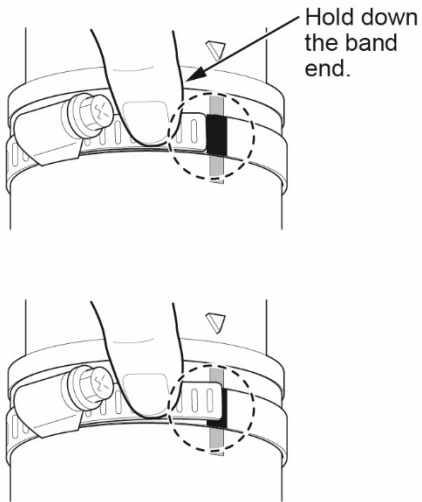


9. Tighten the hose bands to the specified condition below.



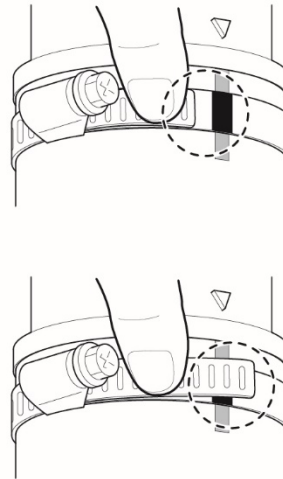
GOOD

The hose band end is **AT** or **WITHIN** the paint or hash mark on the hose band.



NO GOOD

The hose band end is **NOT AT** or **EXCEEDS** the paint or hash mark on the hose band.



10. Install the front bumper.

11. Slide intercooler outlet hose B onto the intercooler outlet pipe assembly, then, install the hose band.

12. Install the air cleaner case.

13. If equipped with multi view camera, do the aiming procedure in the service information.

14. If equipped with fog lights, do the adjustment procedure in the service information.

END