

## Mack Chassis - Granite (GR) - Intermittent Or Inoperative Headlights, Front Marker Lights, Turn Signals, And/Or Plow Lights



Some Mack GR models built between January 29, 2018 and October 25, 2020, especially when equipped with a snow plow, may experience corrosion inside the front chassis to headlight harness connectors. The location on the framerail can be susceptible to roadspray, ice, and snow packing onto the connectors.

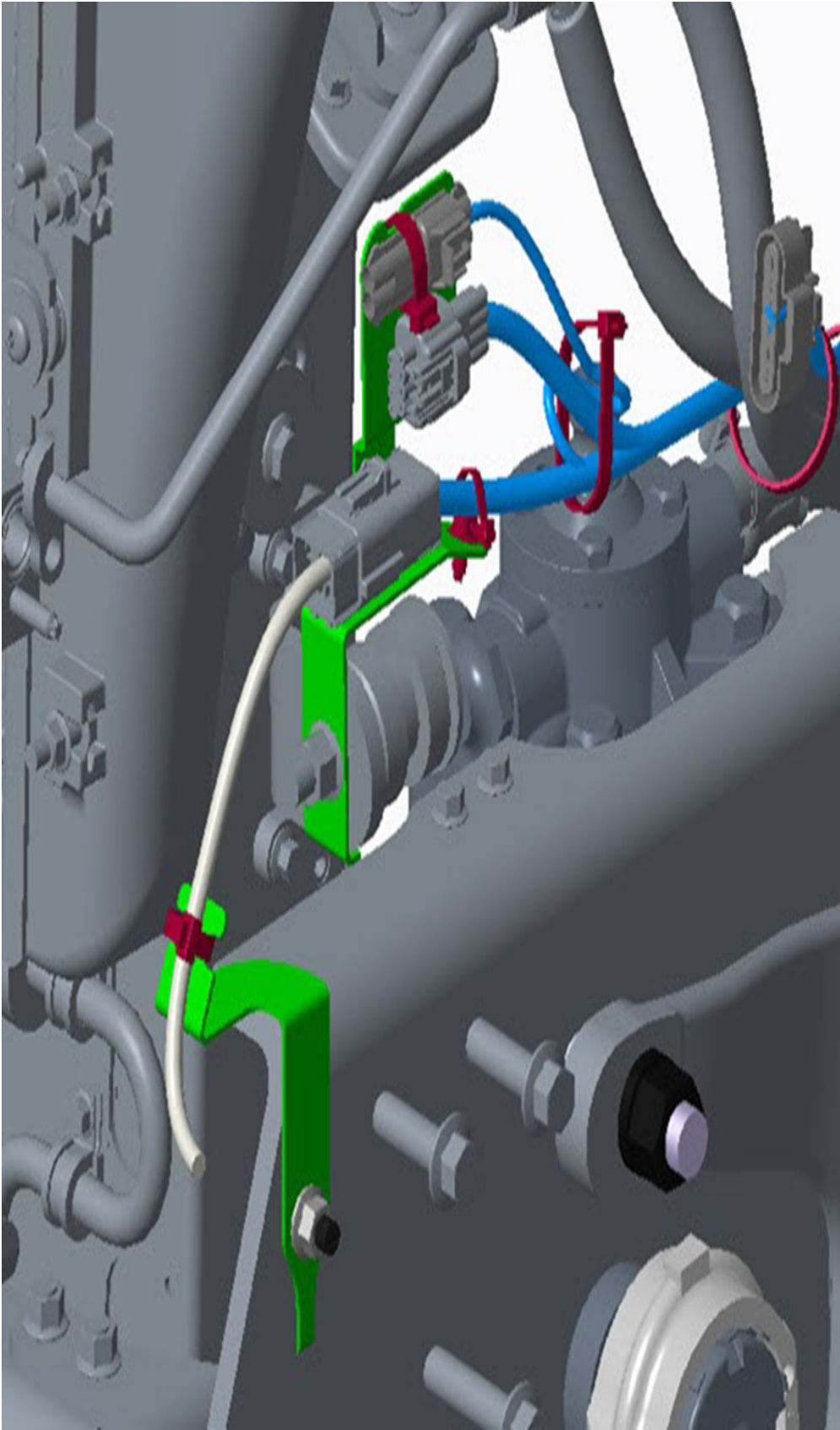
### Related links and attachments

No links or attachments available

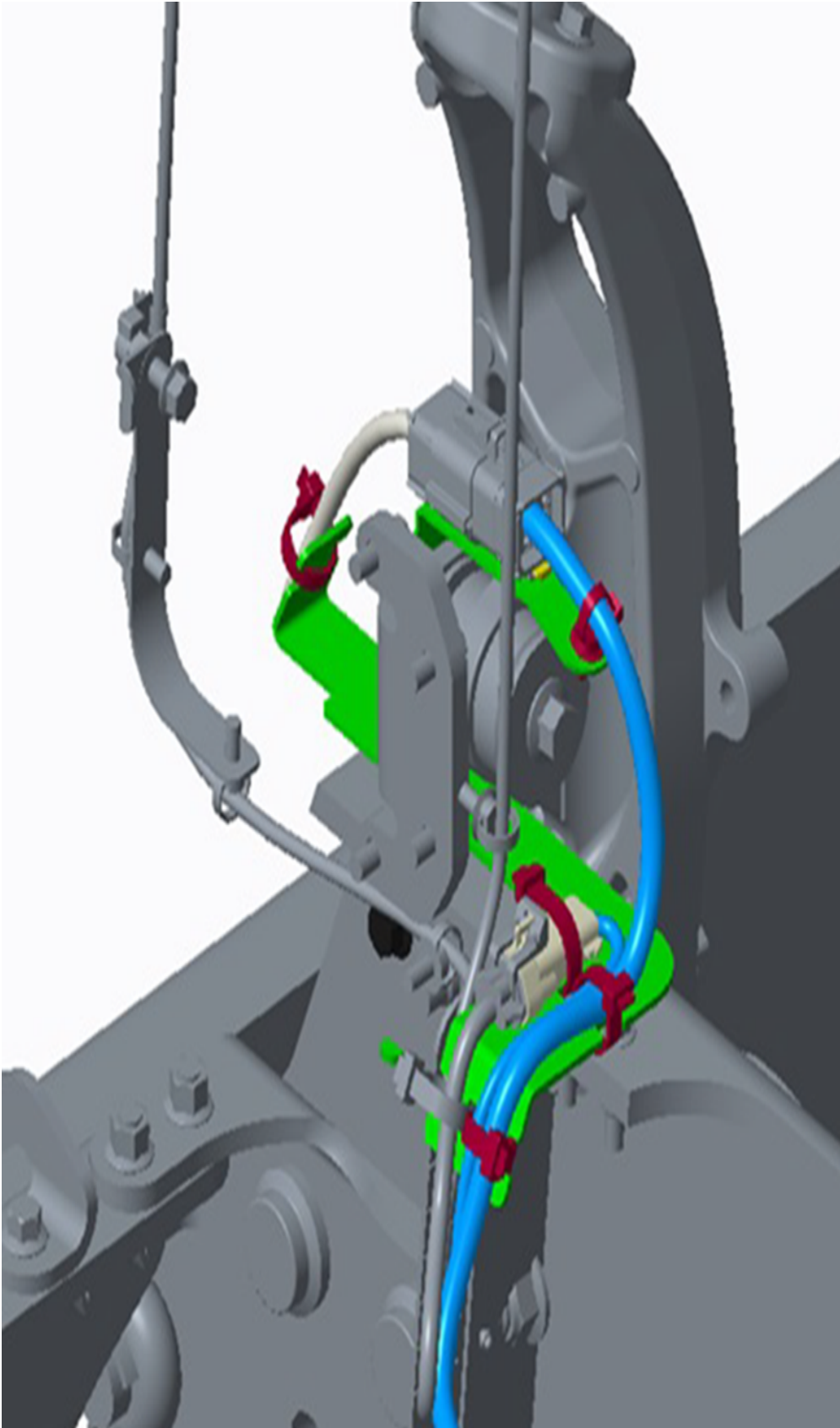


Brackets are available to relocate the connectors from the framerail to the radiator supports. Relocating the connectors will require the harnesses to be lengthened with pigtailed. See parts list below.

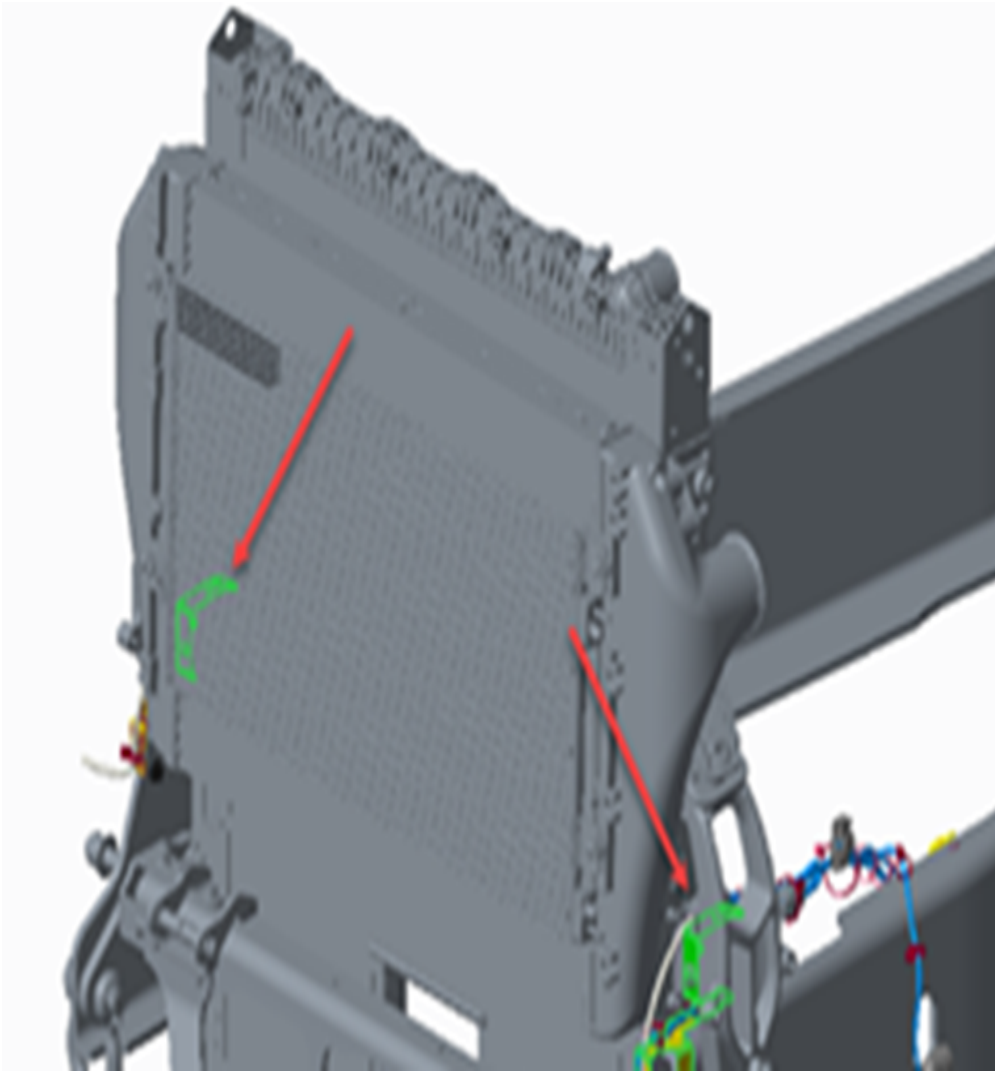
### Driver (LH) Side Bracket



**Passenger (RH) Side Bracket**



**Both Bracket Locations**



## Parts

| P/N      | Description                               |
|----------|---|
| 23662347 | Chassis harness pigtail                   |
| 23662349 | Hood harness pigtail                      |
| 21105899 | Butt splice for 18GA/0.8mm and 1.0mm wire |
| 21105900 | Butt splice for 14GA/2.0mm wire           |
| 23846637 | Passenger side bracket                    |
| 23897976 | Driver side bracket                       |



Tags

HEADLIGHT

MARKER LIGHT

TURN SIGNAL

PLOW LIGHTS

MACK

GRANITE

GR



### Feedback

[Give feedback](#) to help improve the content of this article