

# Squeak Noise From Front Lower Suspension Arm Bushing

**Service Category** Suspension

**Section** Front Suspension

**Market** USA

Toyota Supports  
 ASE Certification 

## Applicability

YEAR(S)	MODEL(S)	ADDITIONAL INFORMATION
2014 - 2019	Corolla	

### REVISION NOTICE

October 16, 2020 Rev1:

- The Warranty Information section has been updated.
- Any previous printed versions of this bulletin should be discarded.

## Introduction

Some 2014 – 2019 model year Corolla vehicles may exhibit a squeak noise from the front lower suspension arm rear bushing. This condition may occur when driving over speed bumps or uneven surfaces. Follow the Repair Procedure in this bulletin to address this condition.

## Warranty Information

OP CODE	DESCRIPTION	TIME	OFF	T1	T2
431021	Suspension Lower Arm Assembly LH Side	0.9	48069-02300 48068-02300	91	99
431031	Suspension Lower Arm Assembly RH Side	1.8			
Combo C	Suspension Lower Arm Assembly LH Side Comb: Toe	0.2			
	Suspension Lower Arm Assembly RH Side Comb: Toe	0.2			

### APPLICABLE WARRANTY

- This repair is covered under the Toyota Basic Warranty. This warranty is in effect for 36 months or 36,000 miles, whichever occurs first, from the vehicle's in-service date.
- Warranty application is limited to occurrence of the specified condition described in this bulletin.

# Squeak Noise From Front Lower Suspension Arm Bushing

## Parts Information

PART NUMBER		PART NAME	QTY
PREVIOUS	NEW		
48068-02300	48068-02301	Arm Sub-assy, Suspension LWR RH W/Bush	1
48069-02300	48069-02301	Arm Sub-assy, Suspension LWR LH W/Bush	1

## Required Tools & Equipment

REQUIRED EQUIPMENT	SUPPLIER	PART NUMBER	QTY
ChassisEAR™ (or Equivalent)*	ADE	<a href="#">JSP06608</a> (JS Products)	1

\*Essential SST.

### NOTE

- A mechanic's stethoscope or similar tool may be used in place of ChassisEAR™.
- ChassisEAR™ may be ordered by calling Approved Dealer Equipment (ADE) at 1-800-368-6787.

## Repair Procedure

1. Confirm the condition exists. Using ChassisEAR™ (or equivalent), test-drive the vehicle over a speed bump or uneven surface to verify the condition is coming from the front lower suspension arm rear bushing.

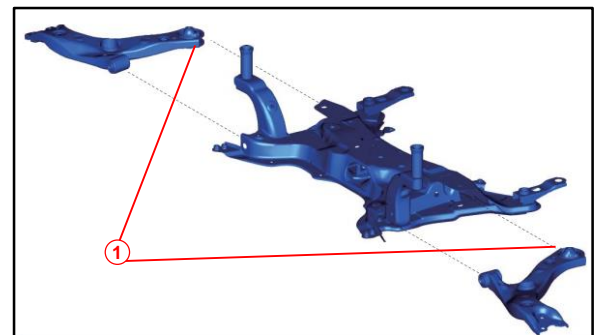
### HINT

Applying soapy water to the suspected arm rear bushing may temporarily diminish the noise intensity and help identify the source of the noise.

Is a squeak noise from the front lower suspension arm rear bushing present?

- **YES** — Continue to step 2.
- **NO** — This bulletin does NOT apply. Continue diagnosis using the applicable Repair Manual.

Figure 1.



1 Front Lower Suspension Arm Rear Bushing

## Squeak Noise From Front Lower Suspension Arm Bushing

---

### Repair Procedure (continued)

2. Replace the affected front lower suspension arm assembly or assemblies emitting the squeak noise.
  - A. Remove the front lower suspension arm assembly.

Refer to TIS, applicable model and model year Repair Manual:

    - 2014 – 2019 Corolla:  
*Suspension – Front Suspension* – [“Front Lower Suspension Arm \(for Automatic Transaxle and CVT\): Removal”](#)
  - B. Install the NEW front lower suspension arm assembly or assemblies.

Refer to TIS, applicable model and model year Repair Manual:

    - 2014 – 2019 Corolla:  
*Suspension – Front Suspension* – [“Front Lower Suspension Arm \(for Automatic Transaxle and CVT\): Installation”](#)
3. Test-drive the vehicle to verify the squeak noise is no longer present.