



# Service Bulletin

Bulletin No.: 18-NA-150

Date: October, 2020

## INFORMATION

**Subject: 6.6L Duramax Possible Oil Leak Path Information**

Brand:	Model:	Model Year:		VIN:		Engine:	Transmission:
		from	to	from	to		
Chevrolet	Silverado	2017	2018			L5P, L5D	
	Silverado 2500/3500	2019	2021				
	Silverado 4500HD, 5500HD, 6500HD	2019	2021				
GMC	Sierra	2017	2018				
	Sierra 2500/3500	2019	2020				

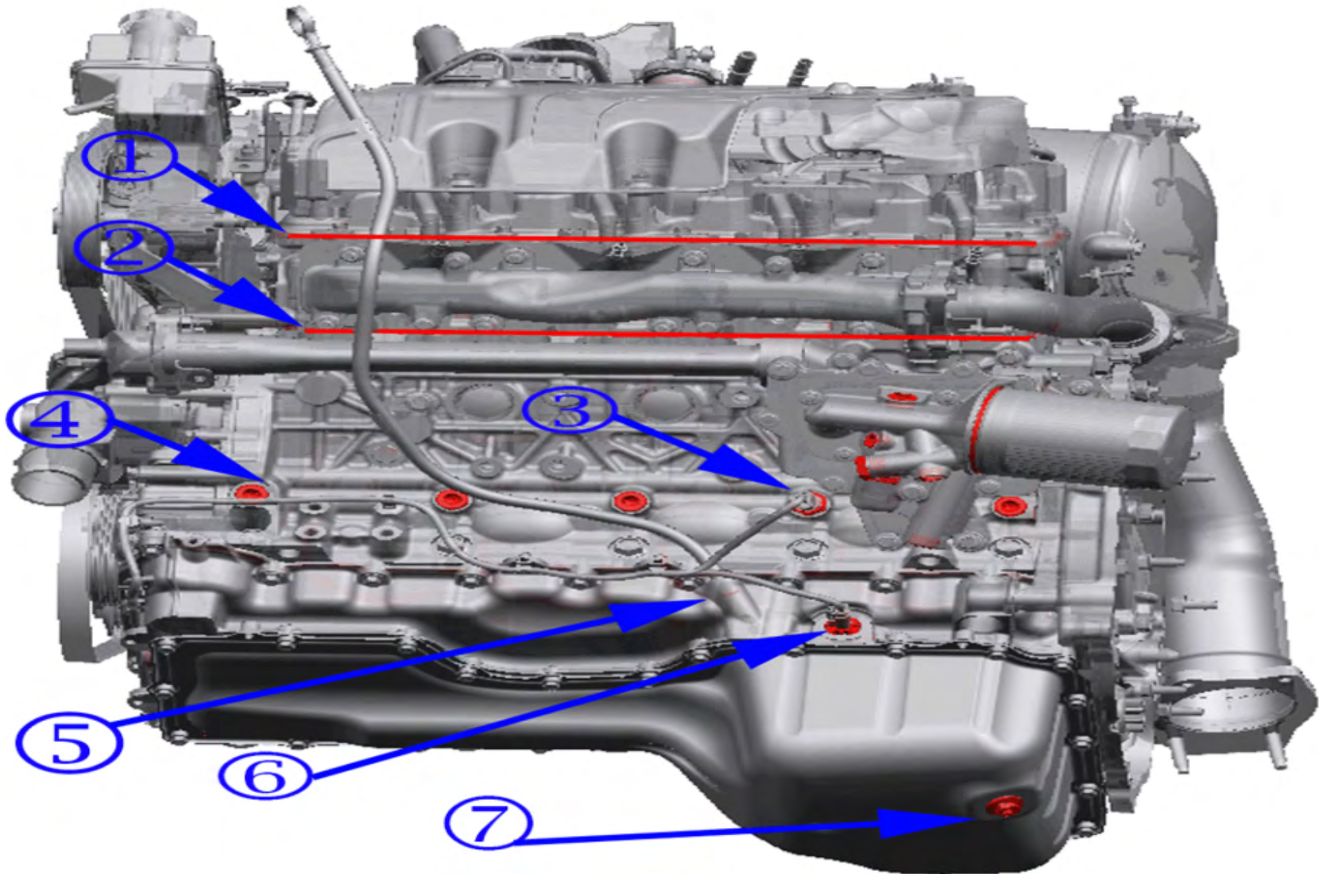
<b>Involved Region or Country</b>	North America, Middle East, Israel, South America and Thailand.
<b>Additional Options (RPOs)</b>	Equipped with 6.6L Diesel Engine (RPO L5P or L5D)

This document is to help identify where to look for an oil leak on the 6.6 Duramax engine.

**Note:** Please keep in mind that a leak on the top of the engine will trail down the back side of the engine and appear as a rear cover leak.

Please use the illustrations below as a guide of where to look for a potential oil leak. These illustrations are of a L5P engine; the L5D would be similar.

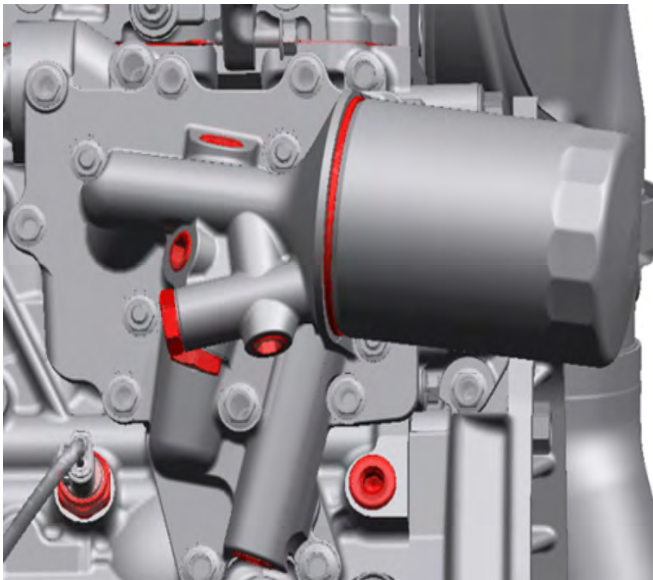
## Possible Oil Leak Paths



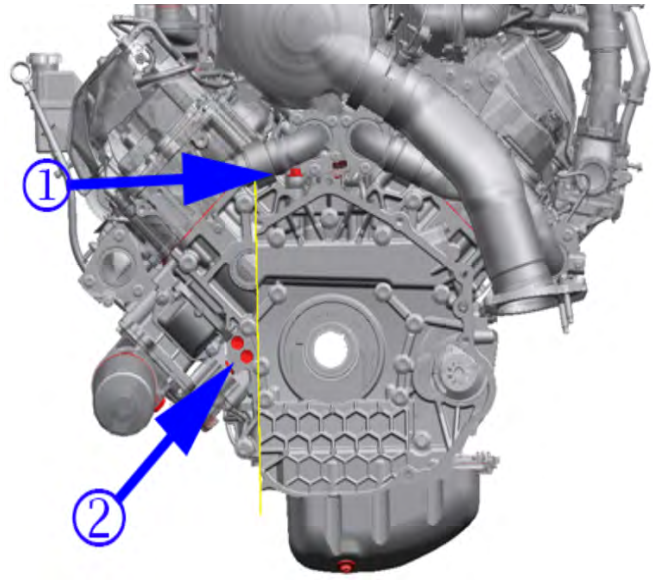
### Legend

- (1) GASKET, VLV RKR ARM CVR (Rocker Cover Gasket)
- (2) GASKET, CYL HD (Head Gasket)
- (3) SENSOR, ENG OIL PRESS (Oil Pressure Sensor)
- (4) PLUG, ENG BLK OIL GAL (Plugs in Block Qty 4)
- (5) SEAL, OIL LVL IND TUBE (O-Ring on Oil Indicator Tube)
- (6) SEAL, ENG OIL LVL IND SW (Oil Level Sensor)
- (7) SEAL, OIL PAN DRN PLUG (Oil Drain Plug)

5053868

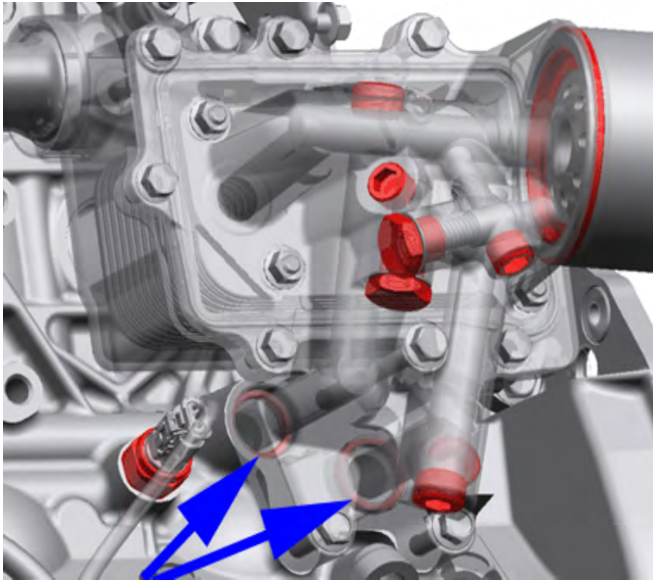


5053869



5053872

Plugs and Gaskets in Oil Cooler and Filter

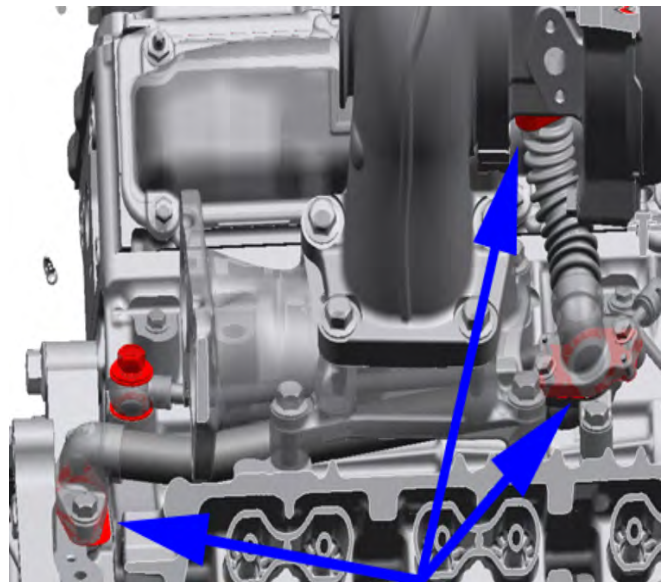


5053871

Ghost view of the Oil Cooler Cover to reveal 2 O-rings (SEAL, ENG OIL CLR).

**Legend**

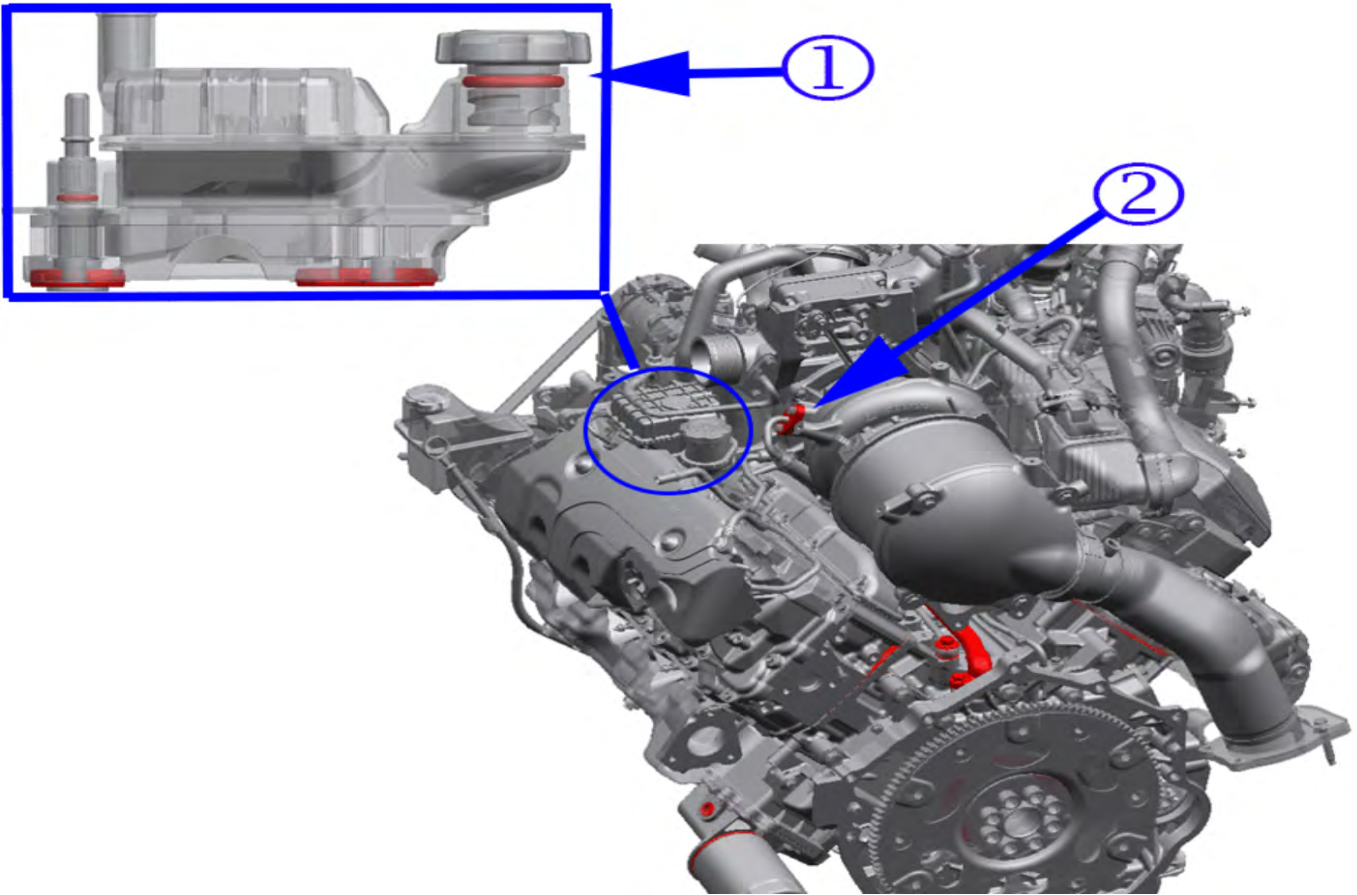
- (1) GASKET, TURBO OIL FEED PIPE (Turbo Oil Feed Pipe into Block, Turbo Pipe removed for picture only)
- (2) PLUG, ENG BLK OIL GAL (Section cut through Flywheel housing to show 2 plugs on the back of the engine block )



5053874

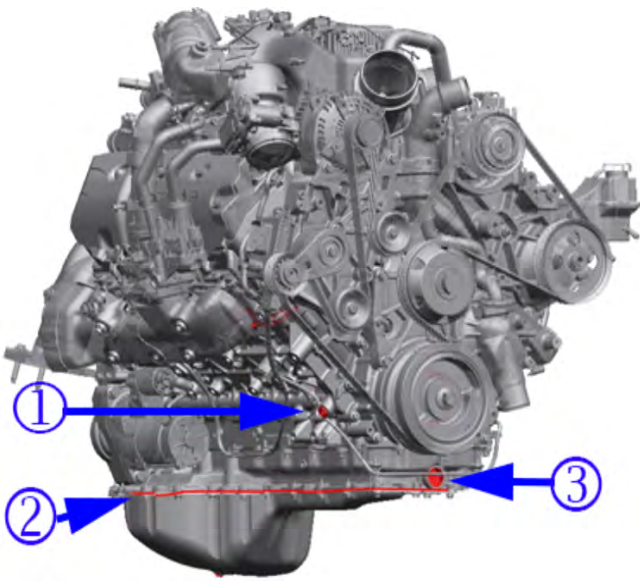
**Legend**

- (1) GASKET, TURBO OIL RTN PIPE (Turbo Oil Drain Pipe Gaskets (Quantity 3))



**Legend**

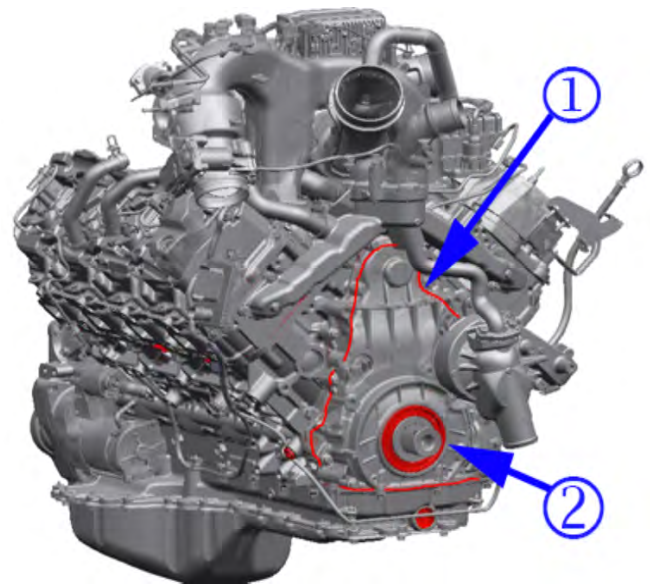
- (1) SEAL, OIL FIL CAP (Oil Separator Gaskets)
  - (2) GASKET, TURBO OIL FEED PIPE (Turbocharger Oil Gasket (2) )
-



5053878

**Legend**

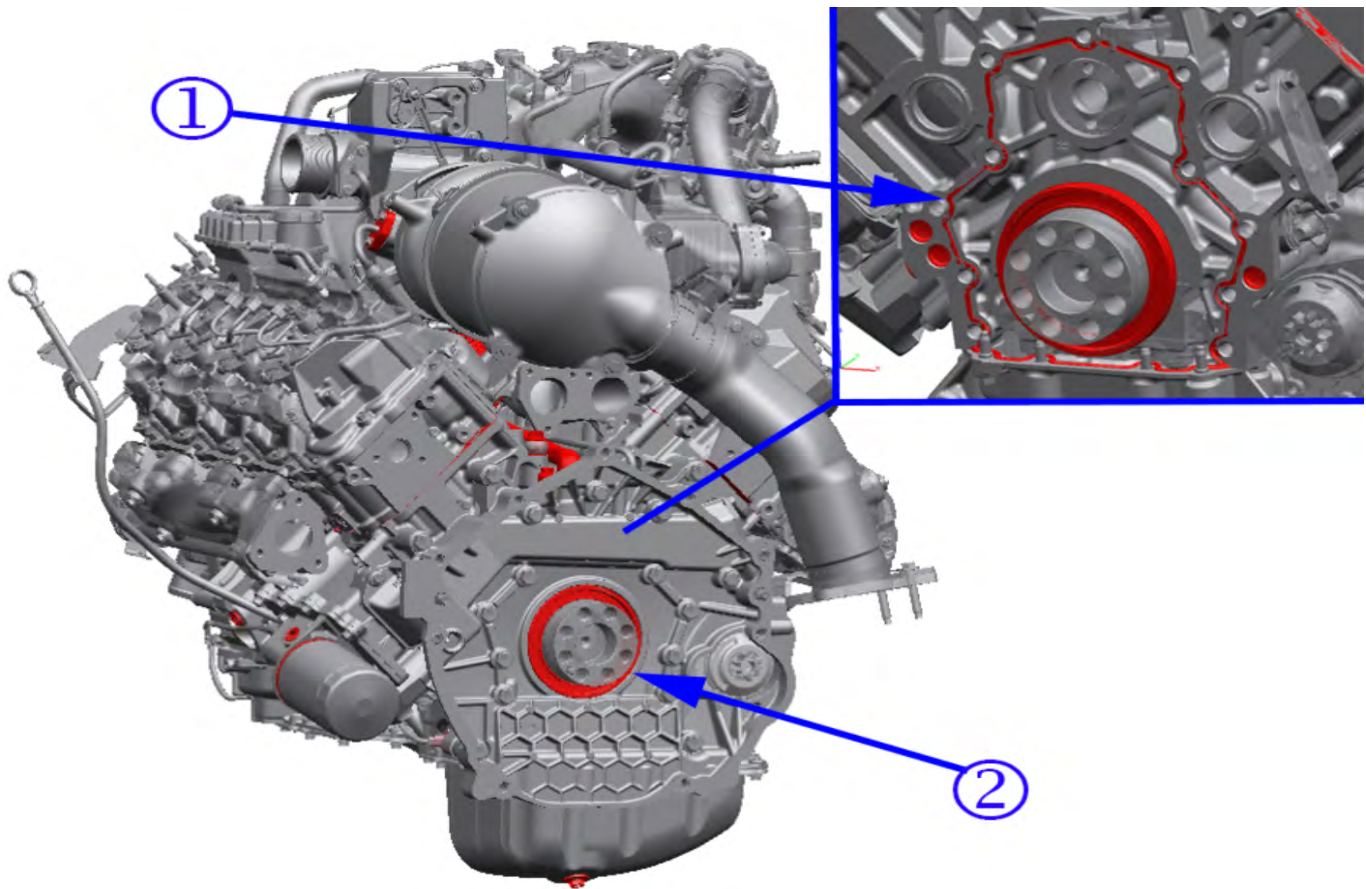
- (1) PLUG, ENG BLK OIL GAL (Oil Gallery Plug)
  - (2) RTV (Oil Pan Seals)
  - (3) PLUG, CYL HD OIL GAL (Upper Oil Pan Plug)
- 



5053879

**Legend**

- (1) RTV (Front Cover Seal)
  - (2) SEAL, CR/SHF FRT OIL (Front Bearing Seal)
-



5053880

**Note:** (Flywheel Housing has been removed for clarity of picture)

**Legend**

- (1) RTV (Flywheel Housing Seal)
- (2) SEAL, CR/SHF RR OIL (Rear Bearing Seal)

<b>Version</b>	3
<b>Modified</b>	Released May 04, 2018 Revised July 25, 2018 - Added the 2019 Model Year. Revised June 24, 2019 - Added 2500/3500 to Models and 2020 to Model Year section. Revised October 19, 2020 - Added 2021 Model Years to 2500/3500 models and added 2019–2021 Silverado 4500, 5500 and 6500 HD Models and added RPO L5D.

