



Technical Journal

TITLE:

Headlamp condensation - broken guide pin

REF NO: TJ 35662.1.0	ISSUING DEPARTMENT: Technical Service	CAR MARKET: United States and Canada	
PARTNER: 3 US 7510 Volvo Car USA		ISSUE DATE: 2020-09-23	STATUS DATE: 2020-09-29
FUNC GROUP: 3521	FUNC DESC: Headlamp, complete	Page 1 of 5	

“Right first time in Time”

Attachment

File Name	File Size
TJI-519478-1_1_2_en-US.pdf	0.3975 MB

Vehicle Type

Type	Eng	Eng Desc	Sales	Body	Gear	Steer	Model Year	Plant	Chassis range	Struc Week Range
256							2016-2099		0000001-0999999	201505-209952

CSC Customer Symptom Codes

Code	Description
W4	Headlights/Moisture/mist on inside of lens

VST Operation Number

VST Operation Number	Description
86103-2	Cover bumper front remove-install
99922-2	General reimbursement acc. to TJ/QB

DESCRIPTION:

If the headlamps show signs of water intrusion and the guide pins are broken, see information and follow instruction for service solution described under “Service”.

**SERVICE:**

If vehicle shows symptom as described in description, follow instruction to release the tension on the headlamp guide pin that are caused by bumper.

Replace the headlamp with broken guide pin.

Follow service solution described in VIDA, VST OP number 86103-2 Cover bumper front remove-install: Information=> Repair => Removal, replacement and installation => 8 Body and interior => 86 Bumpers and mudflaps => 861 bumper with suspension and damping

To get warranty claim accepted for a job described in this TJ, please use following data:

VST OP number: 86103-2, 99922-2

VEHICLE REPORT:

Yes, please submit a Vehicle Report if the service solution described in this TJ has no effect. Use concern area "Vehicle Report" and sub concern area "Support not needed", use function group 3521.

To view TJ attachment continue to next page. This TJ has one attachment.



Volvo Car Customer Service

TJ Instruction VCC-519478-1

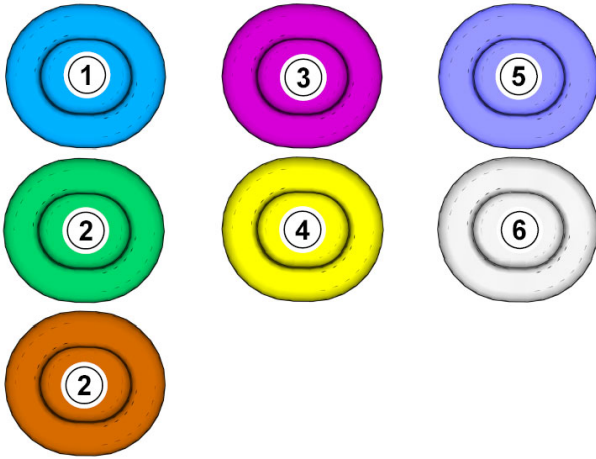
Title	Cover bumper front	Page	1 (3)
Action	Product fix	Operation number:	86103-2 99922-2

Issue	Date	Reason
1	2020-08	First issue

Affected vehicles

Model year	Model
2016, 2017, 2018	XC90 (16-)

Color symbols



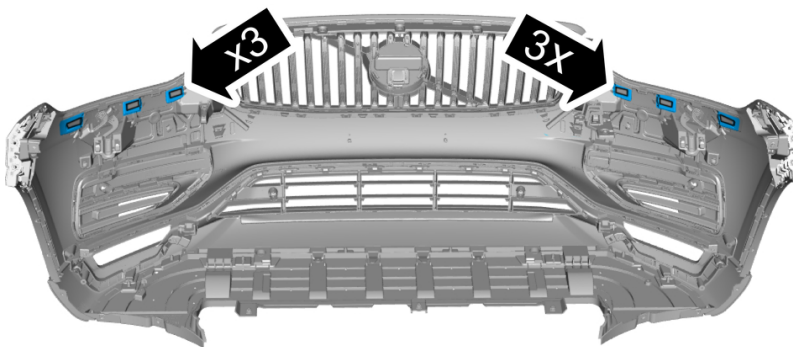
Note! This colour chart displays (in colour print and electronic version) the importance of the different colours used in the images of the method steps.

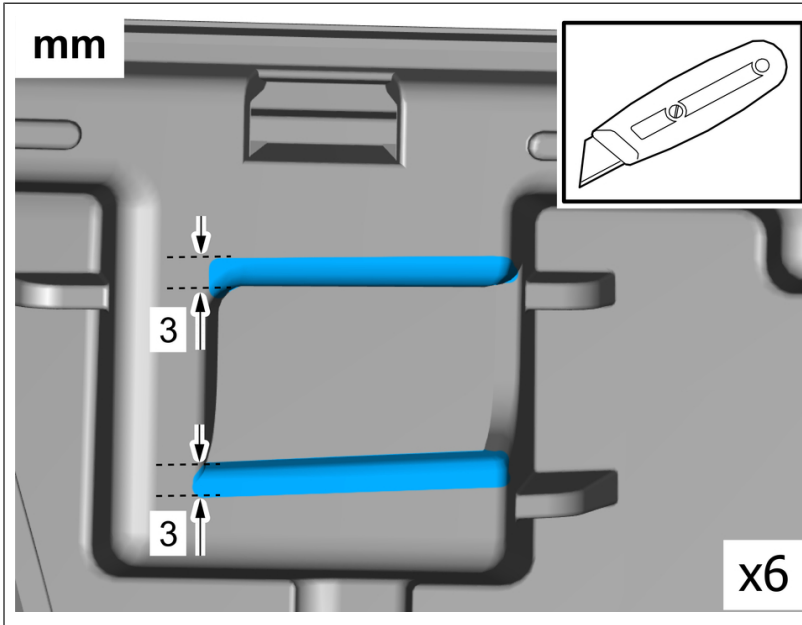
- 1 . Used for focused component, the component with which you will do something.
- 2 . Used as extra colors when you need to show or differentiate additional parts.
- 3 . Used for attachments that are to be removed/installed. May be screws, clips, connectors, etc.
- 4 . Used when the component is not fully removed from the vehicle but only hung to the side.
- 5 . Used for standard tools and special tools.
- 6 . Used as background color for vehicle components.

Removal

Remove casing bumper front , refer to:
 Removal, replacement and installation
 8 - Body and interior
 86 - Bumpers and mudflaps
 861 - bumper with suspension and damping

Note! Orientation view





Caution! Cut carefully to avoid unintentional damage or personal injury.

Note! Use a sharp knife.

Remove the marked parts.

Installation

To install, reverse the removal procedure.