



# Technical Journal

TITLE:

**12V battery message, Start/Stop unavailable, DTCs CEM-B129F96,  
CEM-B10A613**

<b>REF NO:</b> TJ 34241.2.2	<b>ISSUING DEPARTMENT:</b> Technical Service	<b>CAR MARKET:</b> United States and Canada	
<b>PARTNER:</b> 3 US 7510 Volvo Car USA		<b>ISSUE DATE:</b> 2020-09-17	<b>STATUS DATE:</b> 2020-09-29
<b>FUNC GROUP:</b> 3300	<b>FUNC DESC:</b> Starting system	Page 1 of 4	

“Right first time in Time”

## Attachment

File Name	File Size
TJ 34241_BCSM.jpg	0.1298 MB

## Vehicle Type

Type	Eng	Eng Desc	Sales	Body	Gear	Steer	Model Year	Plant	Chassis range	Struc Week Range
22X							2019-9999		-	201817-999952
23X							2017-9999		-	201617-999952
246							2018-9999		-	201717-999952
256							2016-9999		-	201552-999952

## CSC Customer Symptom Codes

Code	Description
3M	Driving/Automatic start/stop of engine/Does not work
3N	Idling/Automatic start/stop of engine/Does not work
LN	Battery/Weak or low electrical power
LO	Alternator and charge regulator/Power supply problems



## VST Operation Number

VST Operation Number	Description
36001-2	Diagnostic trouble codes read / reset / known Diagnostic trouble codes with VIDA
31106-2	Battery charging

## DTC Diagnostic Trouble Codes

Control Module	Code	Fault Type
CEM	B129F96	Permanent
CEM	B10A613	Permanent

Rows beginning with \* are modified

Note! If using a printed copy of this Technical Journal, first check for the latest online version.

### DESCRIPTION:

\* Labor operations updated.

DIM = Driver Information Module

CEM = Central Electronic Module

BCSM = Battery Control Switch Module

Customer concern: DIM message “12V battery charge fault” with permanent DTC *CEM - B129F96*

Auto Start/Stop may also be unavailable along with DTC *CEM - B10A613* that will not clear

If either or both symptoms are present, follow the instructions under Service

### SERVICE:

To clear the listed DTCs, the system must be completely reset:

- Ensure that the main battery is charged and the alternator is charging.
  - Use the VIDA Diagnostic Sequence/Service Function: *12V Overview*
- Check the voltage of the support battery and charge it if necessary
  - If less than 11 volts, it must be removed from the vehicle and slow-charged for 8 hours/overnight.
- Perform battery reset as described below

### Battery Reset

- Disconnect the negative cable on the main battery
- Remove the lower connector (“S”) on the BCSM (See attachment).
- Wait at least 15 minutes
- Reconnect the BCSM and main battery
- Erase all DTCs.

This will reset the BCSM and the internal flash memory.



If the DTC(s) still will not clear after 15 minutes, perform the reset again for a longer period of time (up to 1 hour may be necessary).

Once DTC(s) are clear, road test the vehicle to ensure that the Auto Start/Stop sequences are working as intended and are repeatable. If the DTC(s) do not reoccur, the vehicle is OK.

If DTCs return, please follow the instructions under Vehicle Report.

**NOTE:** Auto Start/Stop may be unavailable due to normal circumstances as well. Be sure to review the conditions necessary for Start/Stop to function located in VIDA under *Product Specifications > Design and Function > Function > Function 28, "Powertrain: Start/Stop"*

**Warranty claim info:**

To get warranty claim accepted for a job described in this TJ, please use following data:

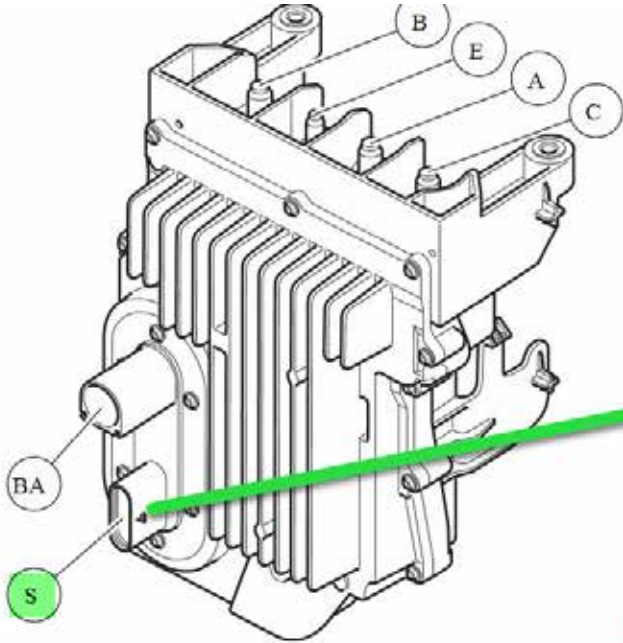
VST OP number: 36001-2/31106-2 + applicable CSC.

**VEHICLE REPORT:**

Yes, please submit a TIE Vehicle Report if the service solution described in this TJ has no effect.

Use concern area "Vehicle Report" and sub concern area "Support needed", use function group 3300 and title the report with "BCSM TJ 34241".

**To view TJ attachment continue to next page. This TJ has one attachment.**



TJ 34241