



© Jaguar Land Rover North America, LLC

NOTE: The information in Technical Bulletins is intended for use by trained, professional Technicians with the knowledge, tools, and equipment required to do the job properly and safely. It informs these Technicians of conditions that may occur on some vehicles, or provides information that could assist in proper vehicle service. The procedures should not be performed by 'do-it-yourselfers'. If you are not a Retailer, do not assume that a condition described affects your vehicle. Contact an authorized Land Rover service facility to determine whether this bulletin applies to a specific vehicle.

INFORMATION

This bulletin supersedes TSB JLRTB02040NAS1/2020 dated 26 MAY 2020, which should either be destroyed or clearly marked to show it is no longer valid (e.g. with a line across the page). Only refer to the electronic version of this Technical Bulletin in TOPIx.

Changes are highlighted in blue

SECTION:

418-00

SUBJECT /CONCERN:

Heated Tailgate Window Inoperative

AFFECTED VEHICLE RANGE:

MODEL:	MODEL YEAR:	VIN:	ASSEMBLY PLANT:
I-PACE (X590)	2019	F60094-F76742	Graz (Austria)
I-PACE (X590)	2020	F76741-F90426	Graz (Austria)

MODEL:	MODEL YEAR:	VIN:	ASSEMBLY PLANT:
I-PACE (X590)	2020	600001-605261	Graz (Austria)

MARKETS:

NORTH AMERICA

CONDITION SUMMARY:**SITUATION:**

The heated tailgate window is inoperative when the switch is in the ON position. Further investigation has found that fuse F17 in the Passenger Junction Box (PJB) has blown.

CAUSE:

Operating current higher than expected.

ACTION:

Follow the instructions below.

PARTS:

PART NUMBER	DESCRIPTION	QUANTITY
T2H36060	30A mini fuse	1

WARRANTY:**△ NOTES:**

- Repair procedures are under constant review, and therefore times are subject to change; those quoted here must be taken as guidance only. Use TOPIx to obtain the latest repair time.
- The JLR claims submission system requires the use of causal part numbers. Labor only claims must show the causal part number with a quantity of zero.

DESCRIPTION	SRO	TIME (HOURS)	CONDITION CODE	CAUSAL PART
JLRTB02040 - Heated tailgate window fuse - Renew	99.01.14	0.1	38	T2H36058

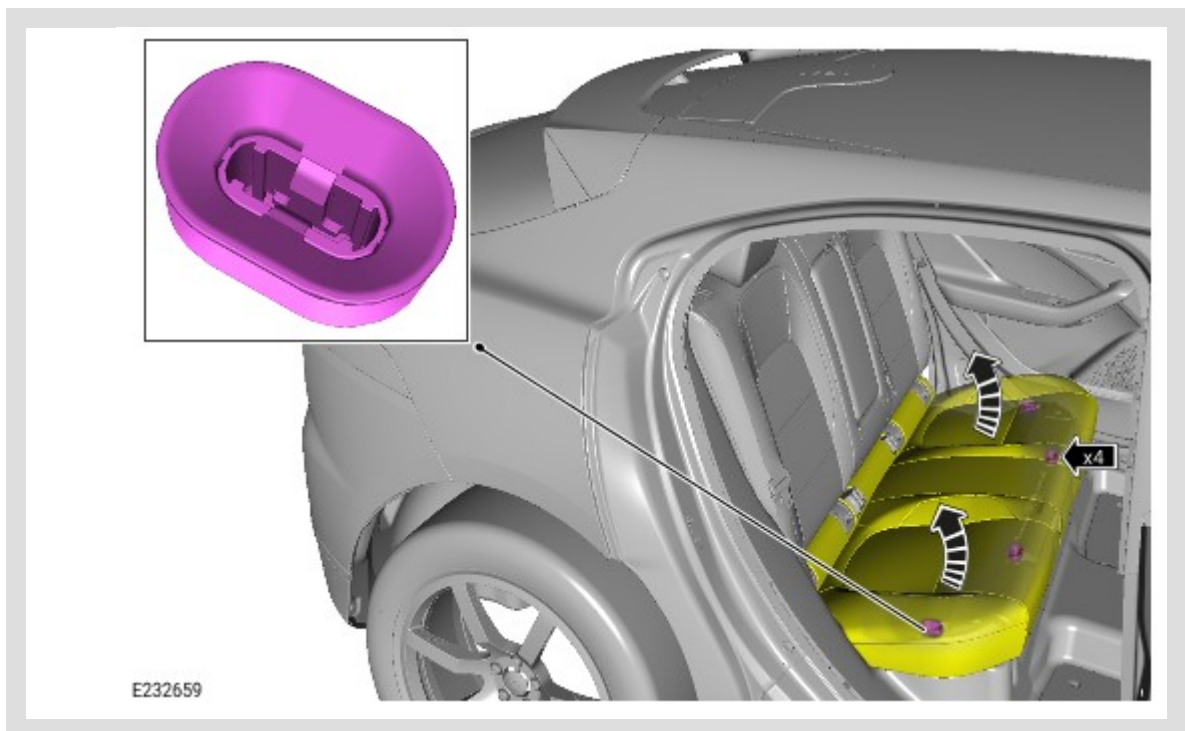
△ NOTE:

Normal Warranty procedures apply.

SERVICE INSTRUCTION:

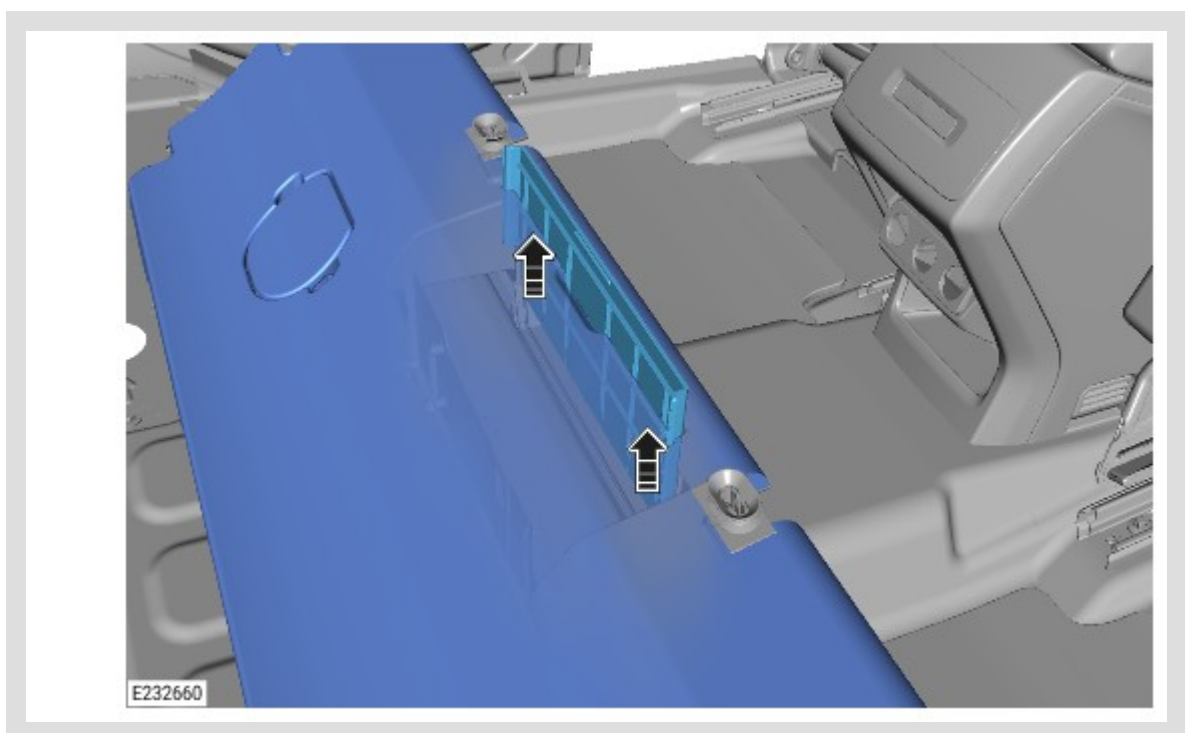
1. Open the rear right door.

2.



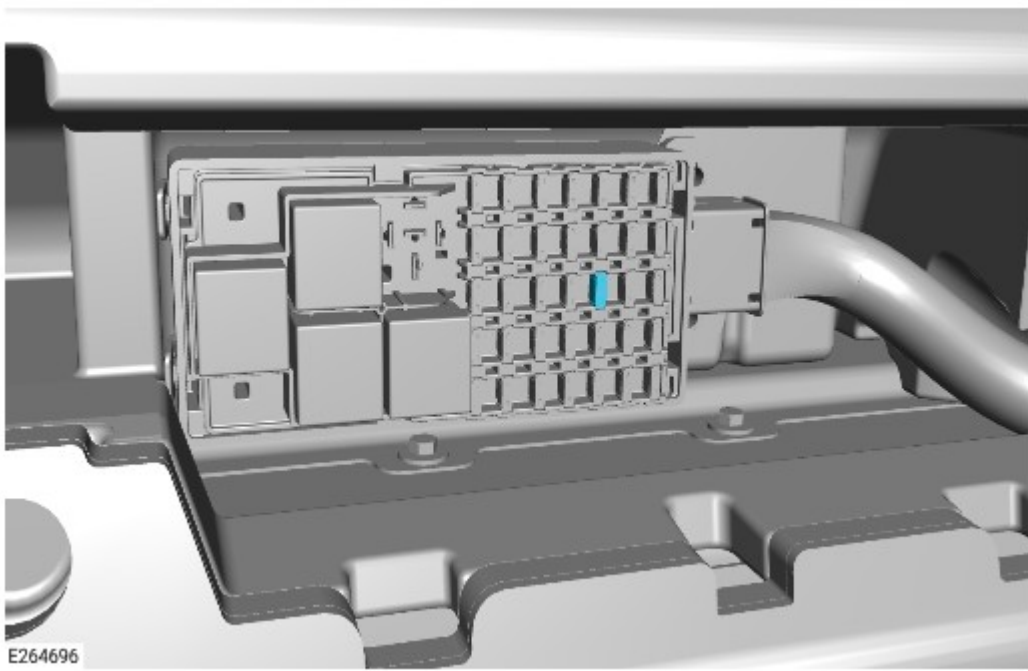
Release the second row seat cushion.

3.



Remove the PJB cover.

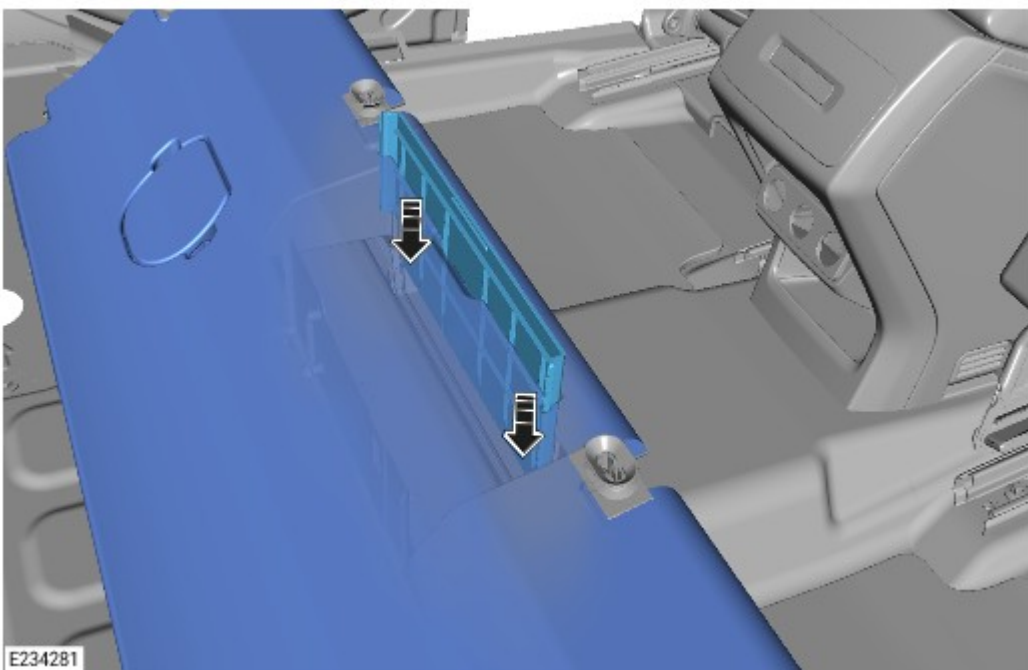
4.



Remove and discard fuse F17 from the PJB.

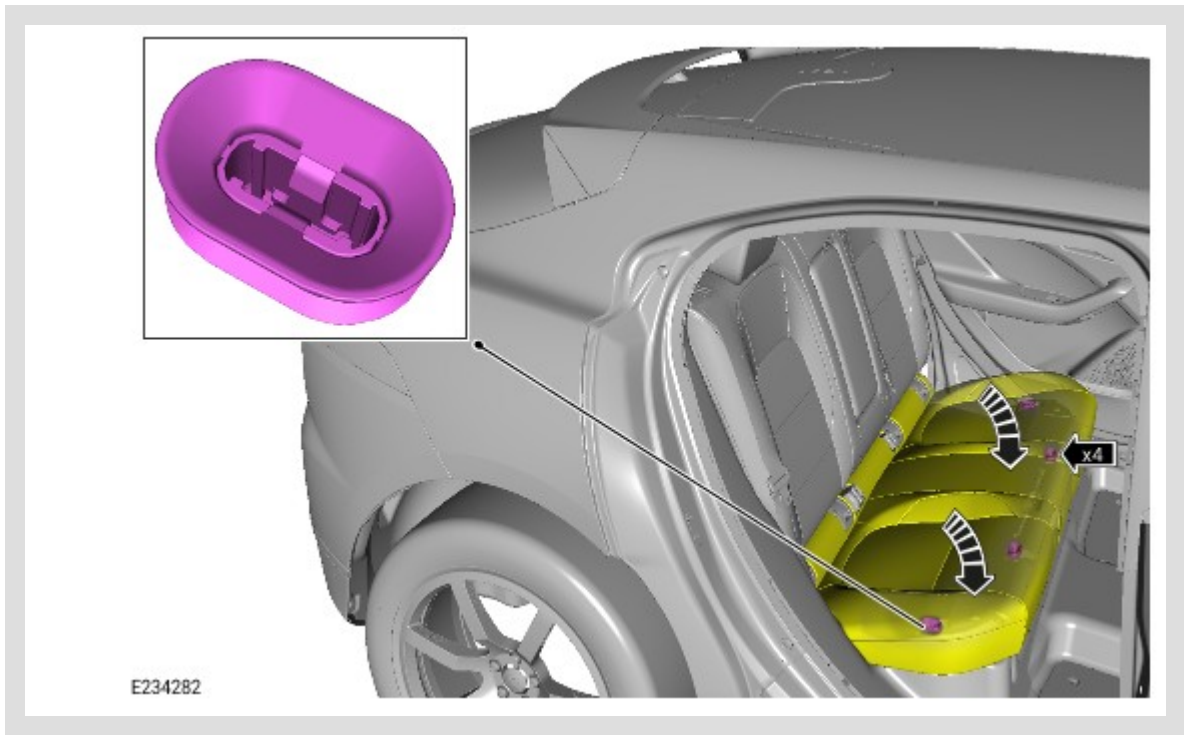
- Install the new 30A mini fuse in F17 of the PJB.

5.



Install the PJB cover.

6.



Install the second row seat cushion.

7.

Close the rear right door.