

To: All Subaru Retailers

From: Subaru of America, Inc. – Service Department

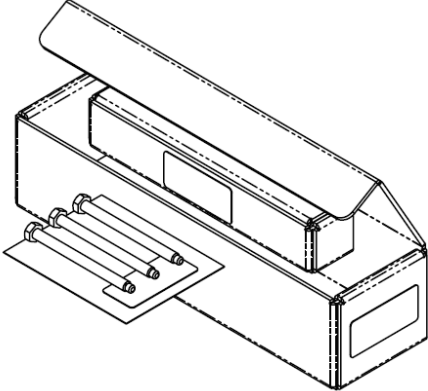
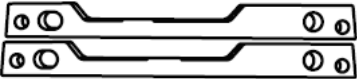

Date: October 7, 2020

Re: *Special Service Tool Shipment: SOA321131 Case Cover Removal Kit*

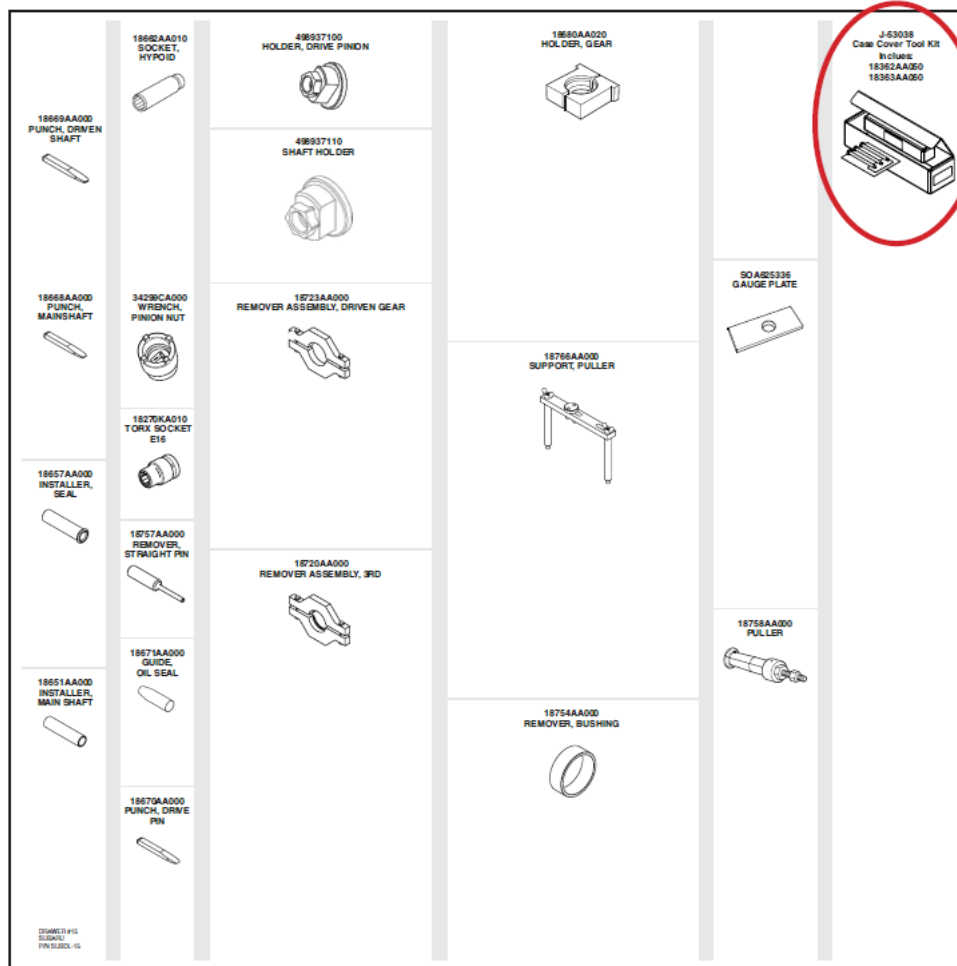
The following special tool is being shipped directly to all Subaru retailers during October as kit SOA321131. This is an essential tool and is available separately using part number J-53038. This tool is required for use in servicing Subaru vehicles.

Please reference the Service Information Bulletin 14-26-20 for further information about the use of this tool.

Retailer cost of this tool kit is \$75.43. It will be invoiced by SOA on the retailer's AR statement.

<u>Illustration</u>	<u>Tool Number</u>	<u>Description</u>
	J-53038	Case Cover Removal Kit
<u>J-53038 Contents</u>		
	18362AA050	Includes 2 Case Cover Adapter Plates
	18363AA060	Includes 3 Tapered Case Cover Bolts

Essential Special Service Tool Storage System Location: Drawer 15



If you have questions, please contact Subaru Service Operations at serviceoperations@subaru.com.