

N400NAS4



TECHNICAL BULLETIN

26 OCT 2020

© Jaguar Land Rover North America, LLC

NOTE: The information in Technical Bulletins is intended for use by trained, professional Technicians with the knowledge, tools, and equipment required to do the job properly and safely. It informs these Technicians of conditions that may occur on some vehicles, or provides information that could assist in proper vehicle service. The procedures should not be performed by 'do-it-yourselfers'. If you are not a Retailer, do not assume that a condition described affects your vehicle. Contact an authorized Land Rover service facility to determine whether this bulletin applies to a specific vehicle.

SECTION:

414-01

SUBJECT/CONCERN:

Service Action: Startup Battery Ground Stud - Insufficient Ground Contact

AFFECTED VEHICLE RANGE:

| MODEL: | MODEL YEAR: | VIN: |
|----------------|-------------|---------------|
| Discovery (LR) | 2019-2020 | 400099-418197 |

MARKETS:

CANADA, USA

CONDITION SUMMARY :
SITUATION:

A potential issue has been identified on certain Land Rover vehicles within the listed Affected Vehicle Range may experience intermittent operation of electrical equipment due to insufficient ground contact.

ACTION:

Retailers are required to HOLD affected new vehicles that are within your control and refrain from releasing the vehicles for new vehicle sale pending completion of the procedure(s) detailed in this Technical Bulletin. Unsold vehicles should have this performed as part of the Pre-Delivery Inspection (PDI) process but must have it completed prior to vehicle handover to the customer.

Affected vehicles already in the hands of customers should be updated at the next available opportunity.

PARTS :
NOTE:

Special tool JLR-MRPK4081 includes a pack of 5 M8 and 10 M6 ground studs. Additional ground studs can be sourced from <https://jlrequipment.service-solutions.com>. The M6 studs may be ordered individually under the part number shown below or in boxes of 20 (part number 78905-01; [\$594.10 USD]). The average volume of affected vehicles sold per retailer is 8 (Canada) and 10 (USA). Most retailers will not need to order additional studs beyond those supplied with the special tool.

| DESCRIPTION | SUNDRY CODE | QUANTITY | *VALUE |
|-------------|-------------|----------|--------|
|-------------|-------------|----------|--------|

| DESCRIPTION | SUNDRY CODE | QUANTITY | *VALUE |
|---|-------------|----------|---------|
| M6 Ground stud - Part number 78905-single | ZZZ001 | 1 | \$41.60 |

*An allowance of \$41.60 USD or local equivalent has been provided to cover the cost of 1 M6 ground stud.

SPECIAL TOOLS :

Refer to TOPIx Workshop Manual/Workshop Procedure for any required special tools.

WARRANTY :

NOTE:

Use the Jaguar Land Rover claims submission system to make sure that a vehicle is eligible for this program prior to undertaking any rework action.

At the time of confirming a booking for vehicle repair, make sure that all open Recall and Service Actions are identified to make sure the correct parts are available and adequate workshop time is allocated for repairs to be completed at one visit.

Warranty claims must be submitted quoting the Program Code and the relevant Option Code; this will result in payment of the stated time. The SRO and parts information is included for information only. The Option Code(s) that allows for the drive in/drive out allowance may only be claimed if the vehicle is brought back into the workshop for this action alone to be undertaken.

Repair procedures are under constant review and therefore times/prices are subject to change; those quoted here must be taken as guidance only. Use TOPIx to obtain the latest repair time.

This program is valid for a limited time only. Warranty claims with a repair date prior to the January 31, 2022 closure date must be submitted or payment within 30 calendar days of completion of the repair.

| PROGRAM CODE | OPTION CODE | DESCRIPTION | SRO | TIME (HOURS) | *VALUE | QUANTITY |
|--------------|-------------|-------------|-----|--------------|--------|----------|
|--------------|-------------|-------------|-----|--------------|--------|----------|

| PROGRAM CODE | OPTION CODE | DESCRIPTION | SRO | TIME (HOURS) | *VALUE | QUANTITY |
|--------------|-------------|---|----------------------|--------------|--------------|----------|
| N400 | A | Ground stud - Renew | 05.10.20 | 0.2 | \$41.60 | 1 |
| N400 | B | Ground stud - Renew Drive in/drive out | 05.10.20 02.02.02 | 0.2 0.2 | \$41.60 - | 1 - |

*An allowance of \$41.60 USD or local equivalent has been provided to cover the cost of 1 M6 ground stud.

Normal Warranty policies and procedures apply.

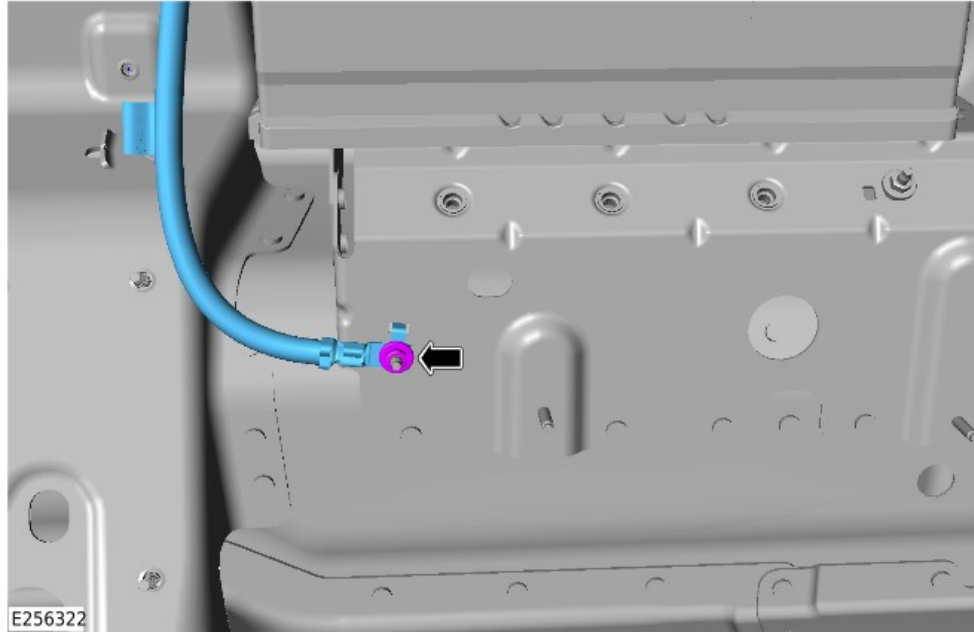
SERVICE INSTRUCTION:

NOTES:

- Some variation in the illustrations may occur, but the essential information is always correct.
- Some components are shown removed for clarity.

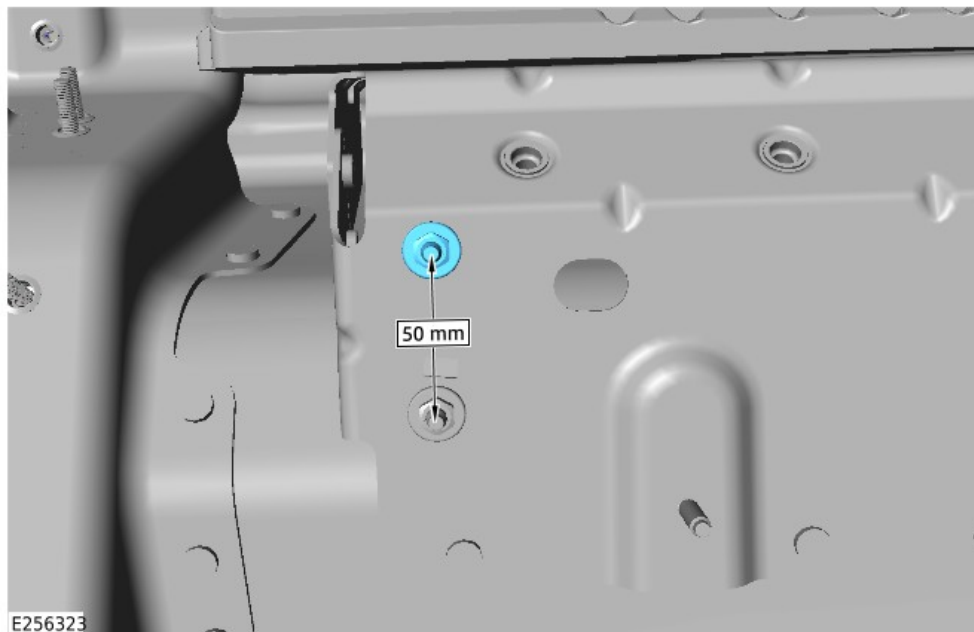
1. Open the tailgate.
2. Remove the right loadspace trim panel (see TOPIx Workshop Manual section 501-05: Interior Trim and Ornamentation - Removal and Installation - Right Loadspace Trim Panel).
3. Disconnect the startup battery ground cable (see TOPIx Workshop Manual section 414-00: Battery and Charging System - General Information - Specifications).

4.



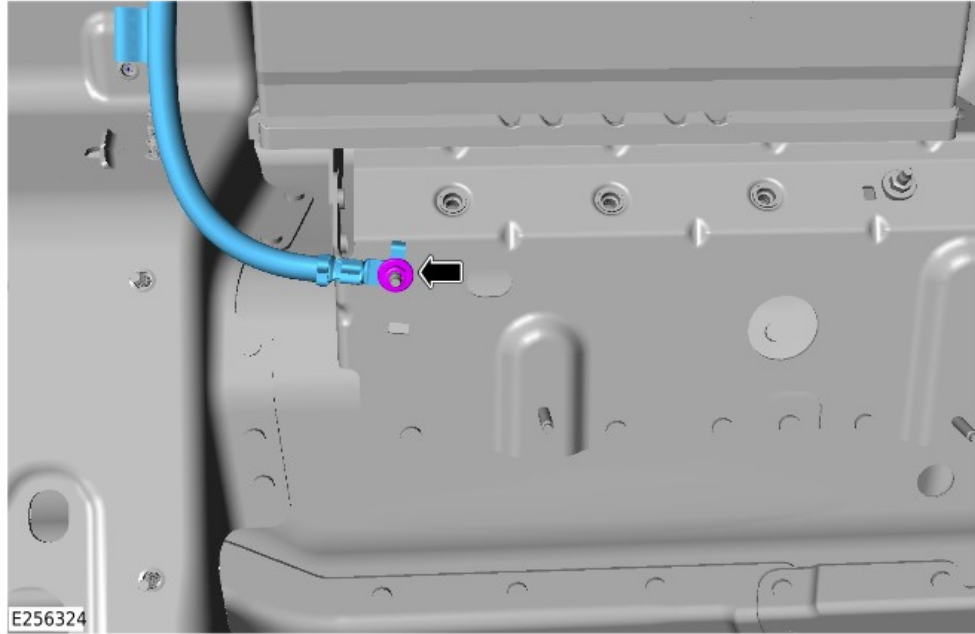
Remove the startup battery ground cable from the body ground stud (G4D178).

5.



Install a new body ground stud (78905) 50 mm above the existing ground stud (G4D178) (see TOPIx Workshop Manual section 501-25A: Body Repairs General Information - General Procedures - Body Earth Stud Repair).

6. ■



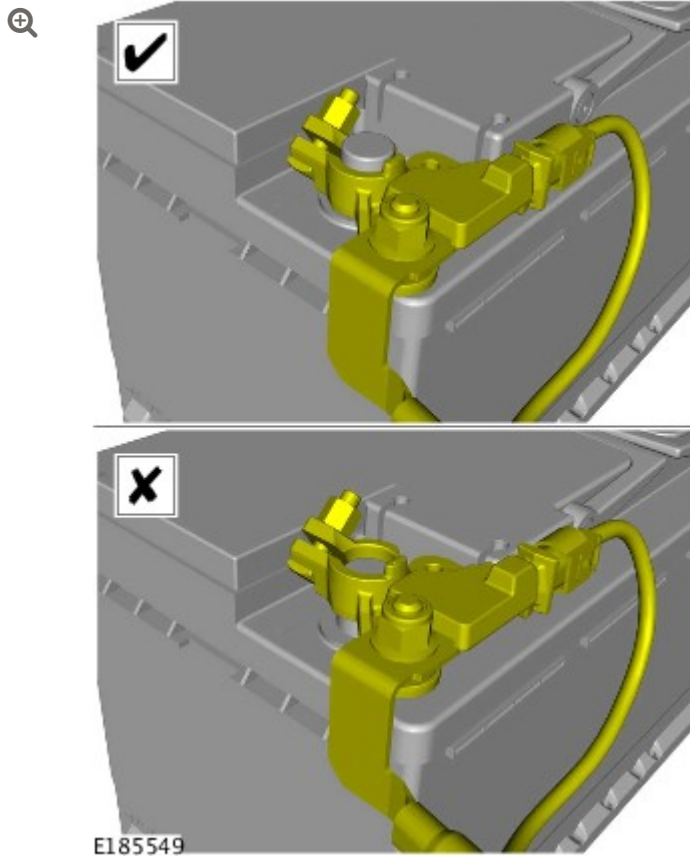
Install the startup battery ground cable to the new body ground stud.

- Torque: **8 Nm**

7.

NOTE:

Make sure the battery terminal is in the correct position.



Connect the startup battery ground cable (see TOPIx Workshop Manual section 414-00: Battery and Charging System - General Information - Specifications).

-
8. Install the right loadspace trim panel (see TOPIx Workshop Manual section 501-05: Interior Trim and Ornamentation - Removal and Installation - Right Loadspace Trim Panel).
-
9. Close the tailgate.