

LTB00926NAS4



# TECHNICAL BULLETIN

05 OCT 2020

© Jaguar Land Rover North America, LLC

NOTE: The information in Technical Bulletins is intended for use by trained, professional Technicians with the knowledge, tools, and equipment required to do the job properly and safely. It informs these Technicians of conditions that may occur on some vehicles, or provides information that could assist in proper vehicle service. The procedures should not be performed by 'do-it-yourselfers'. If you are not a Retailer, do not assume that a condition described affects your vehicle. Contact an authorized Land Rover service facility to determine whether this bulletin applies to a specific vehicle.

## INFORMATION

---

**This reissue replaces all previous versions. Please destroy all previous versions.**

This bulletin supersedes TSB LTB00926NAS3/2018 dated 02 FEB 2018, which should either be destroyed or clearly marked to show it is no longer valid (e.g. with a line across the page). Only refer to the electronic version of this Technical Bulletin in TOPIx.

Changes are highlighted in blue

---

## SECTION:

501-03

## SUBJECT/CONCERN:

Tailgate Incorrectly Aligned / Fouls D-pillar Exterior Trim

## AFFECTED VEHICLE RANGE:

MODEL:

MODEL YEAR:

VIN:

ASSEMBLY PLANT:

MODEL:	MODEL YEAR:	VIN:	ASSEMBLY PLANT:
Range Rover Sport (LW)	2014	300000-399999	Solihull
Range Rover Sport (LW)	2014-2016	500000-599999	Solihull
Range Rover Sport (LW)	2014-2017	600009-668882	Solihull
Range Rover Sport (LW)	2016-2017	100000-131551	Solihull
Range Rover (LG)	2013-2017	001204-325979	Solihull

---

## MARKETS:

NORTH AMERICA

---

## CONDITION SUMMARY:

### SITUATION:

The tailgate may be incorrectly aligned and/or is contacting the D-pillar exterior trim pieces when closed.

### CAUSE:

This may be caused by the tailgate hinge fasteners not being the preferred choice for application, potential relaxation.

### ACTION:

Follow the instructions below.

---

## PARTS:

PART NUMBER	DESCRIPTION	QUANTITY
RYG501160	Bolt and captive washer (M8x25)	4

---

## WARRANTY:

**NOTES:**

- Repair procedures are under constant review, and therefore times are subject to change; those quoted here must be taken as guidance only. Use TOPIx to obtain the latest repair time.
- The JLR claims submission system requires the use of causal part numbers. Labor only claims must show the causal part number with a quantity of zero.

DESCRIPTION	SRO	TIME (HOURS)	CONDITION CODE	CAUSAL PART
Tailgate - Hinge - Bolts - Renew	76.19.11	0.1	07	LR037087
Tailgate - Check and adjust alignment - Range Rover Sport (L494)	76.28.31	0.5	07	LR037087
Tailgate - Check and adjust alignment - Range Rover (L405)	76.28.31	0.4	07	LR037087

**NOTE:**

Normal Warranty procedures apply.

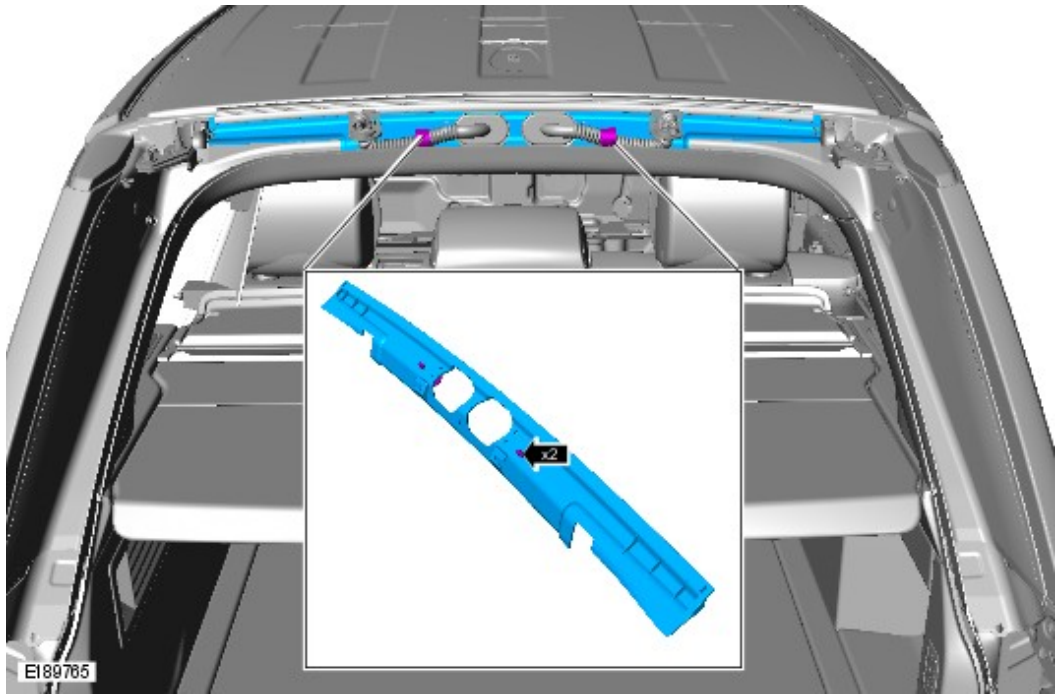
WORKSHOP PROCEDURE 'A': RANGE ROVER SPORT (L494) ONLY

**NOTE:**

Components shown removed for clarity.

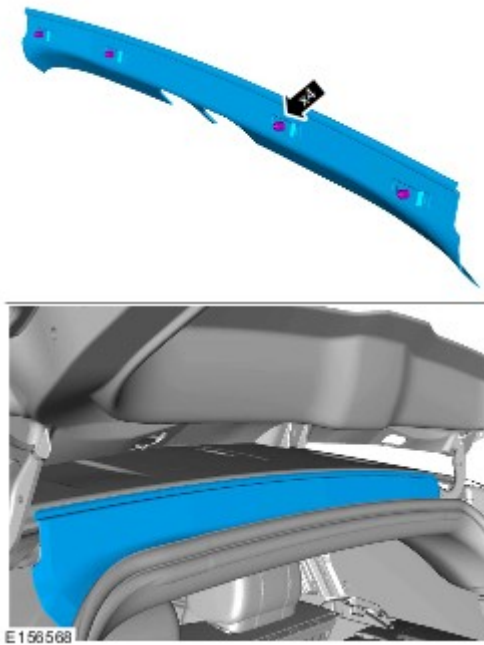
- Open the tailgate.

2.



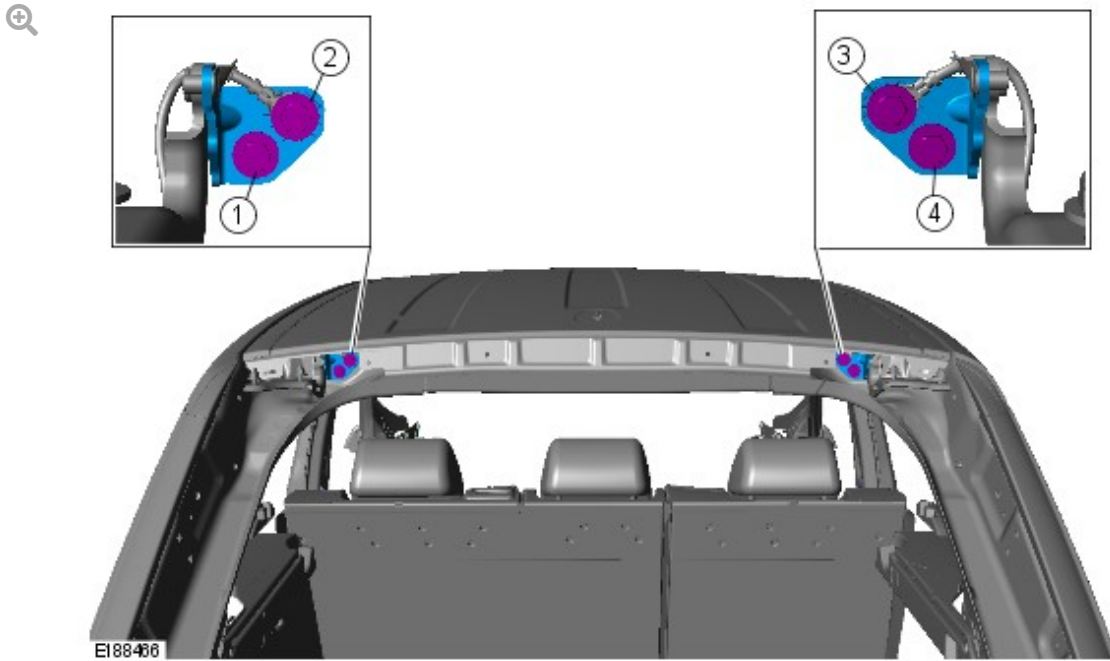
Remove the harness clips from the cover panel.

3.



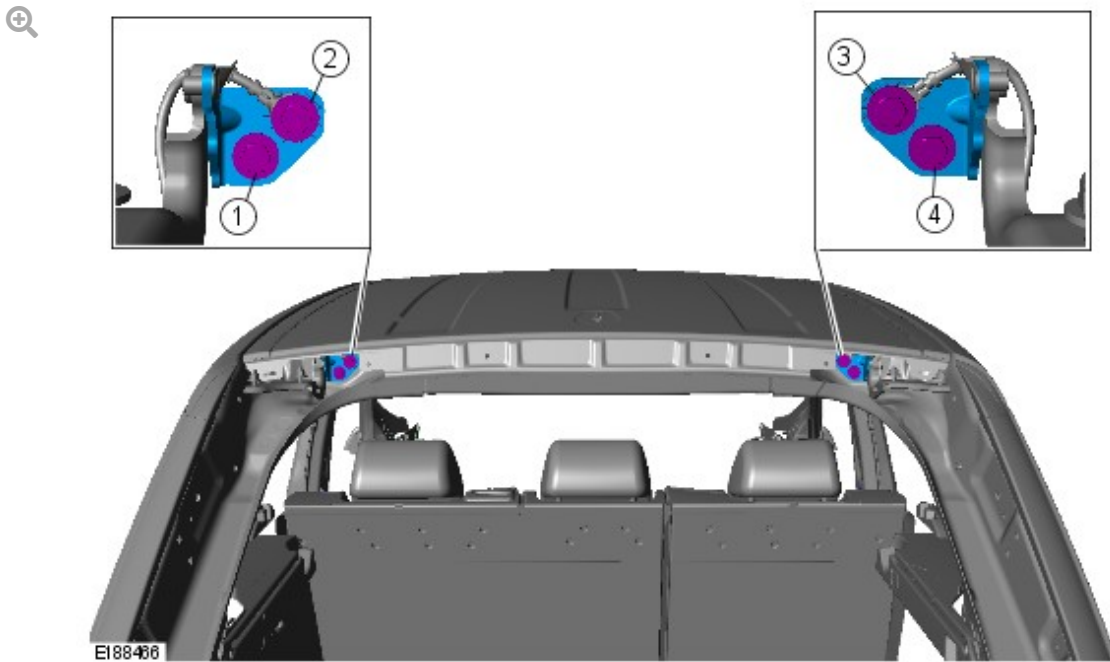
Remove the trim.

4.



Remove the tailgate hinge bolt 1.

5.



Install the new tailgate hinge bolt 1 (RGY501160).

- ■ Torque: **24 Nm**

6. Repeat steps 4-5 for hinge bolt 2.

7. Repeat steps 4-5 for hinge bolt 3.

---

8. Repeat steps 4-5 for hinge bolt 4.

---

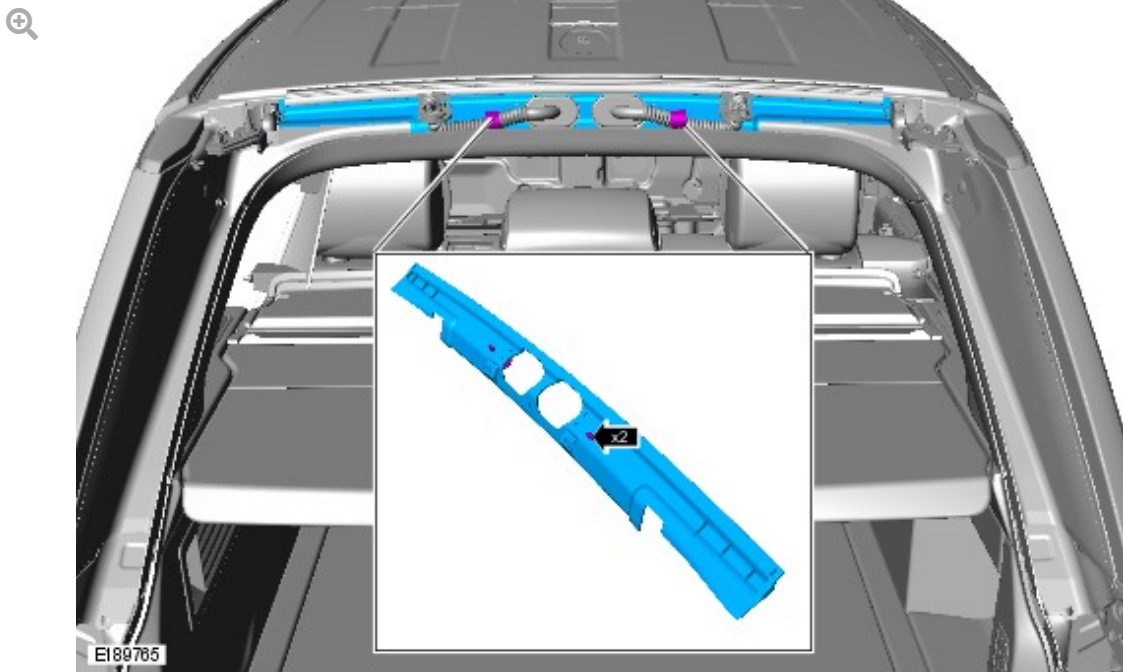
9.



Install the trim.

---

10.



Install the harness clips to the cover panel.

---

11. Close the tailgate

---

12.

**NOTE:**

The tailgate may also be referred to as liftgate.

Check the tailgate alignment (see TOPIx Workshop Manual section 501-03: Body Closures - Liftgate Alignment).

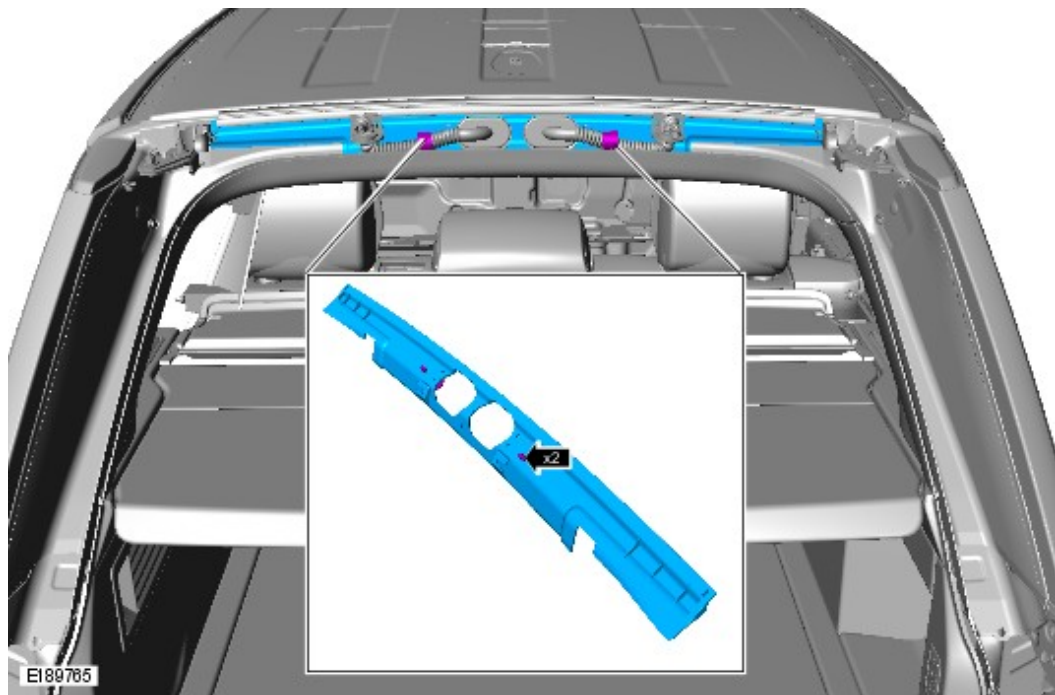
WORKSHOP PROCEDURE 'B': RANGE ROVER (L405) ONLY

**NOTE:**

Components shown removed for clarity.

1. Open the tailgate.

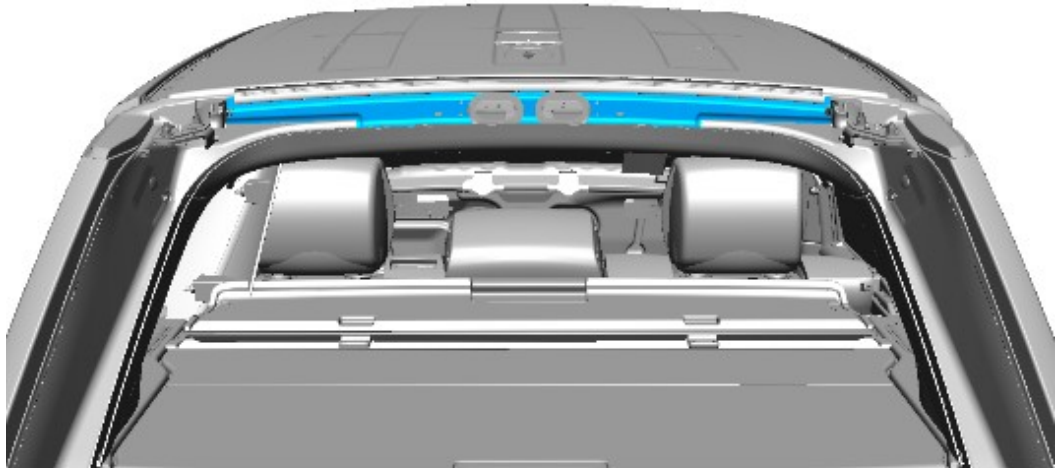
2.



Remove the harness clips from the cover panel.



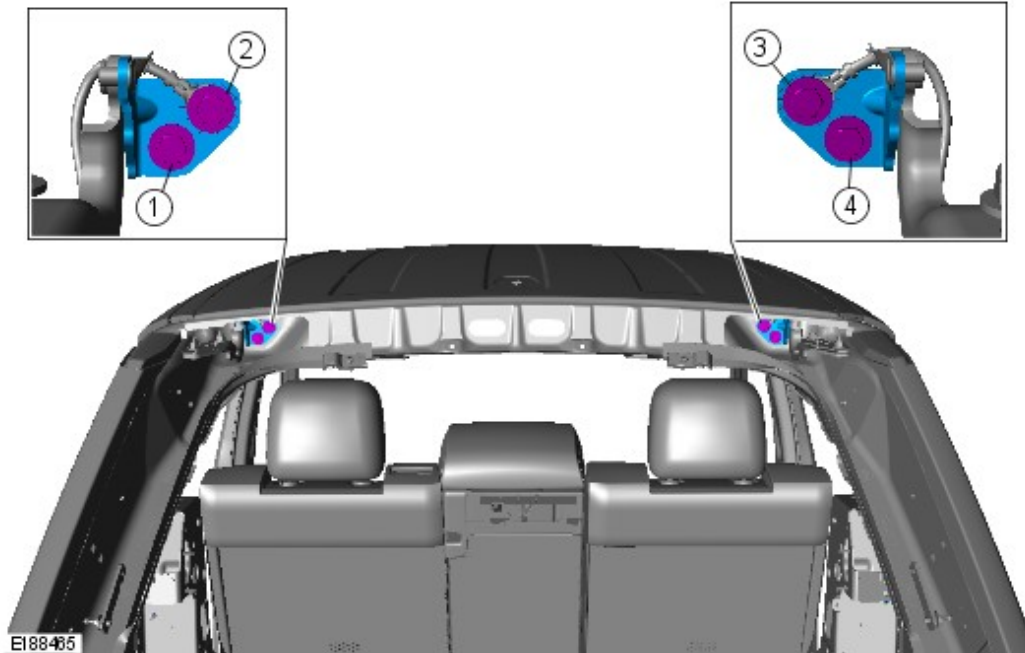
3.



E189766

Remove the cover panel.

4.

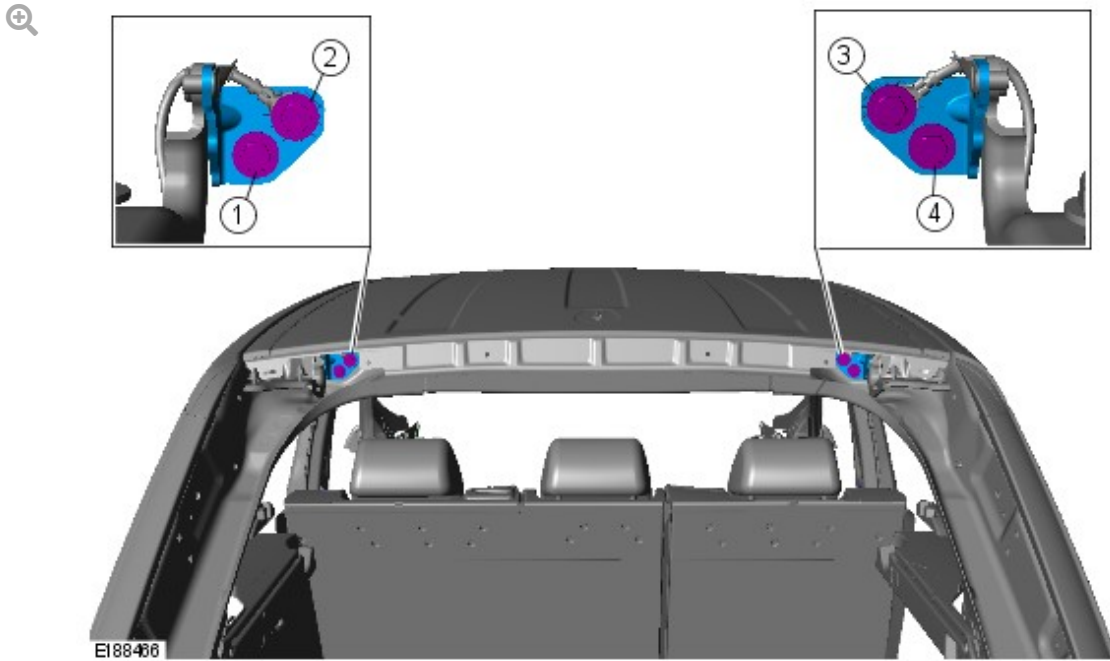


E188465

Remove the tailgate hinge bolt 1.



5.



Install the new tailgate hinge bolt 1 (RGY501160).

- ■ Torque: **24 Nm**

---

6. Repeat steps 4-5 for hinge bolt 2.

---

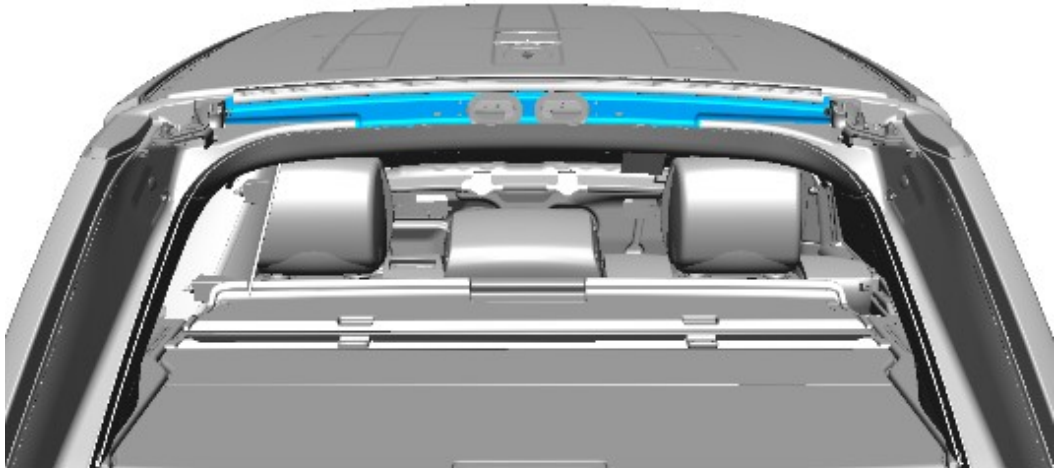
7. Repeat steps 4-5 for hinge bolt 3.

---

8. Repeat steps 4-5 for hinge bolt 4.

---

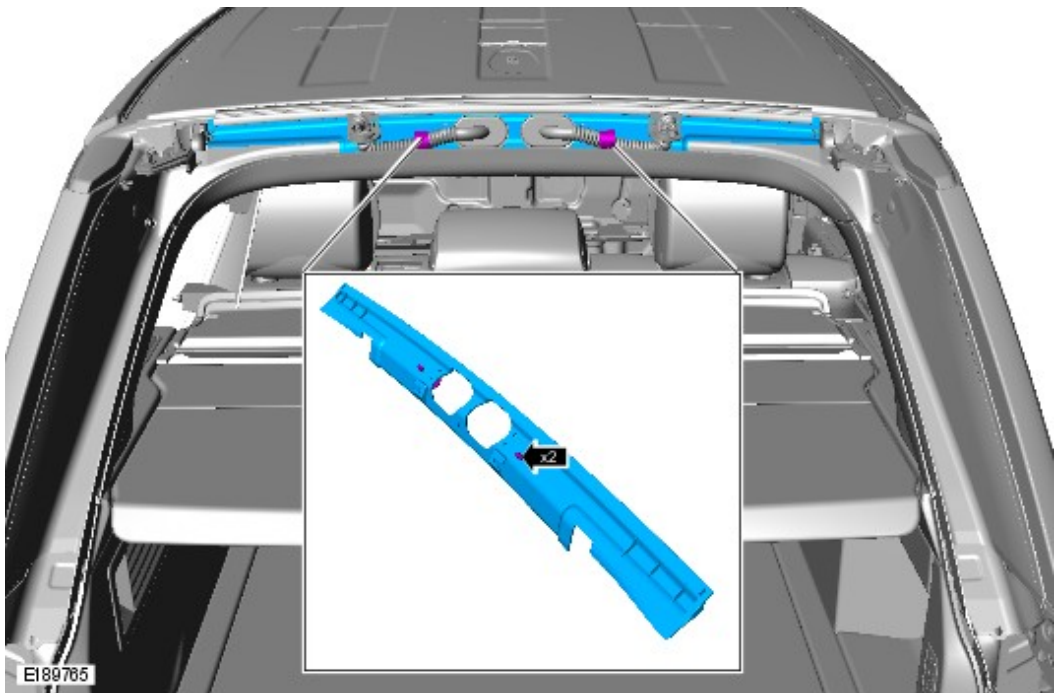
9.



E189766

Install the cover panel trim.

10.



E189765

Install the harness clips to the cover panel.

11. Close the tailgate.

12.

**NOTE:**

The tailgate may also be referred to as liftgate.

Check the tailgate alignment (see TOPIx Workshop Manual section 501-03: Body Closures - Liftgate Alignment).