

LTB00891NAS3



# TECHNICAL BULLETIN

05 OCT 2020

© Jaguar Land Rover North America, LLC

NOTE: The information in Technical Bulletins is intended for use by trained, professional Technicians with the knowledge, tools, and equipment required to do the job properly and safely. It informs these Technicians of conditions that may occur on some vehicles, or provides information that could assist in proper vehicle service. The procedures should not be performed by 'do-it-yourselfers'. If you are not a Retailer, do not assume that a condition described affects your vehicle. Contact an authorized Land Rover service facility to determine whether this bulletin applies to a specific vehicle.

## INFORMATION

---

**This reissue replaces all previous versions. Please destroy all previous versions.**

This bulletin supersedes TSB LTB00891NAS2/2016 dated 31 MAY 2016, which should either be destroyed or clearly marked to show it is no longer valid (e.g. with a line across the page). Only refer to the electronic version of this Technical Bulletin in TOPlx.

Changes are highlighted in blue

---

## SECTION:

501-08

## SUBJECT/CONCERN:

Roof Opening Panel Rear Glass Seal Loose

## AFFECTED VEHICLE RANGE:

MODEL:	MODEL YEAR:	VIN:	ASSEMBLY PLANT:	APPLICABILITY:
Range Rover (LG)	2013-2016	001204-248658	Solihull	Vehicles With: Roof Opening Panel
Range Rover Sport (LW)	2014-2016	600000-635674	Solihull	Vehicles With: Roof Opening Panel
Range Rover Sport (LW)	2014	300000-399999	Solihull	Vehicles With: Roof Opening Panel
Range Rover Sport (LW)	2014-2016	500000-572596	Solihull	Vehicles With: Roof Opening Panel

---

## MARKETS:

NORTH AMERICA

---

## CONDITION SUMMARY:

### SITUATION:

The roof opening panel rear glass seal may be loose / adrift.

### CAUSE:

This may be caused by the seal becoming degraded.

### ACTION:

Follow the instructions below.

---

## PARTS:

PART NUMBER	DESCRIPTION	QUANTITY
LR084562	Rear Glass Roof Panel Seal	1

---

## TOOLS:

Refer to Workshop Manual for any required special tools.

---

**WARRANTY:****NOTES:**

- Repair procedures are under constant review, and therefore times are subject to change; those quoted here must be taken as guidance only. Use TOPIx to obtain the latest repair time.
- The JLR claims submission system requires the use of causal part numbers. Labor only claims must show the causal part number with a quantity of zero.

DESCRIPTION	SRO	TIME (HOURS)	CONDITION CODE	CAUSAL PART
Rear Glass Roof Panel Seal - Renew	76.81.89.41	0.3	07	LR084562

**NOTE:**

Normal Warranty procedures apply.

**SERVICE INSTRUCTION:**

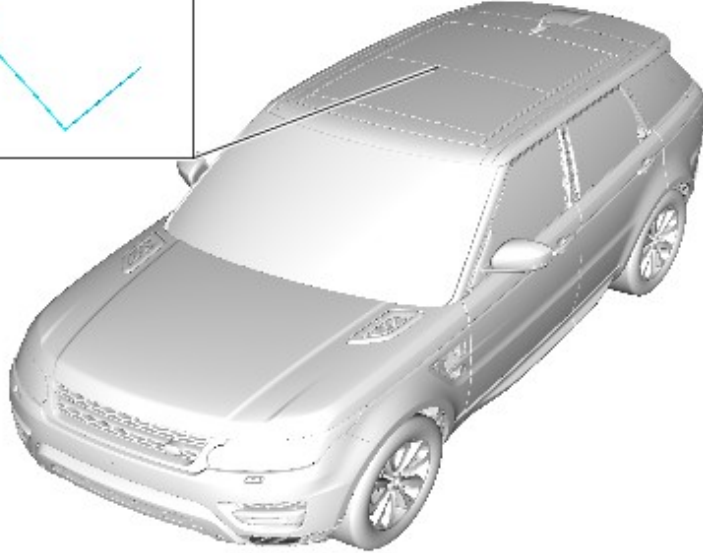
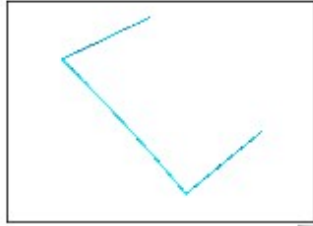
---

---

1.

**NOTE:**

Range Rover Sport (L494) shown; Range Rover (L405) similar.



E186000

**Component location.**

2.

**NOTE:**

Repeat this step on both sides of the vehicle.

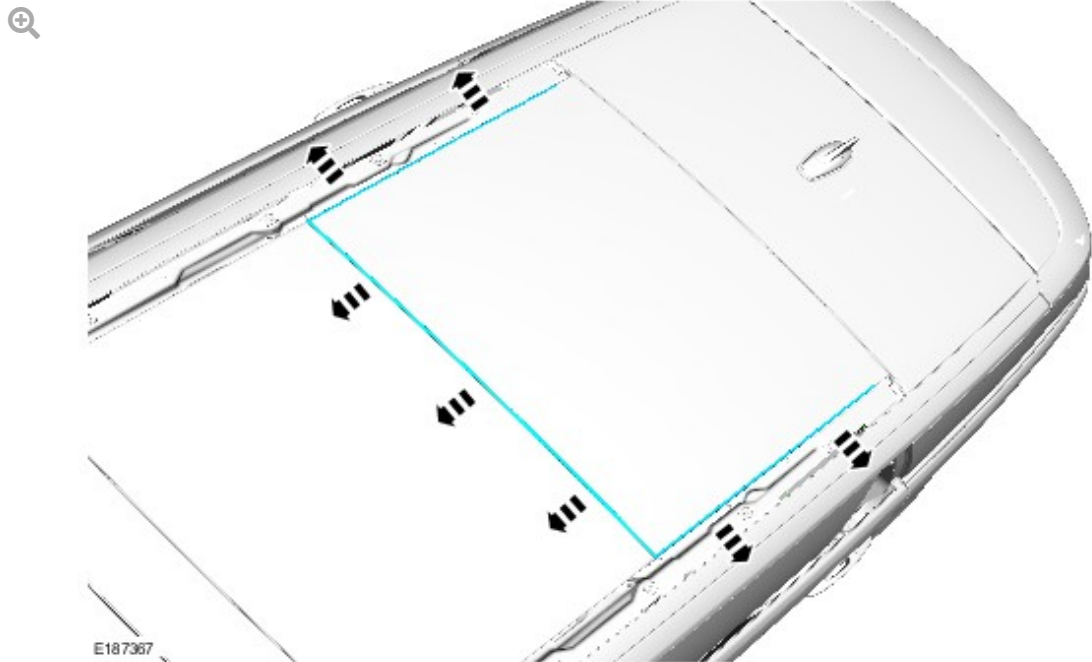
Remove the roof moldings (see TOPIx Workshop Manual, section 501-08: Exterior Trim and Ornamentation).

3. Open the roof opening panel to the vent position.

4.

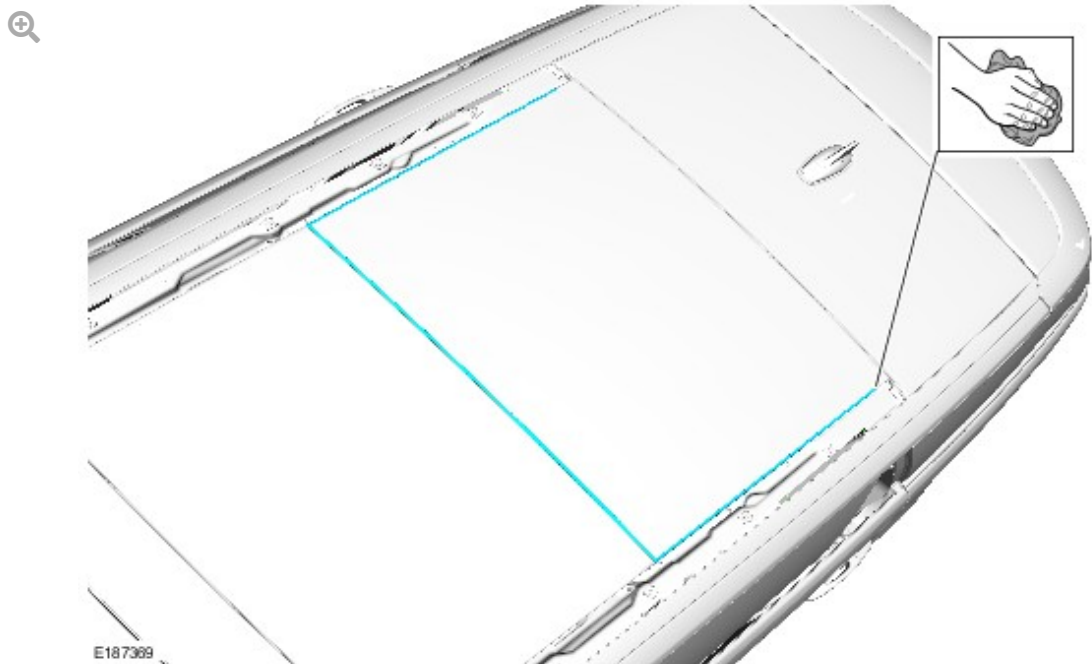
**NOTE:**

Note the orientation of the rear glass roof panel seal when removing from the vehicle.



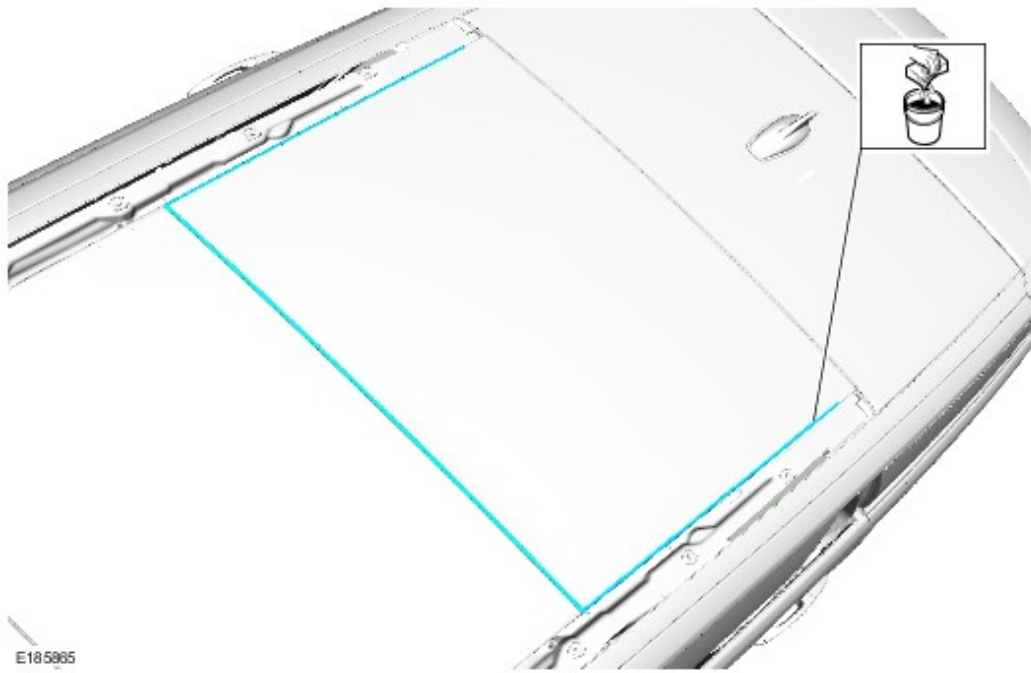
Remove the roof opening panel rear glass seal.

5.



Use a suitable cloth to wipe clean the area shown.

6.



Use a suitable solution (2 ml mild soap per 1 L of water), wet the area shown.

---

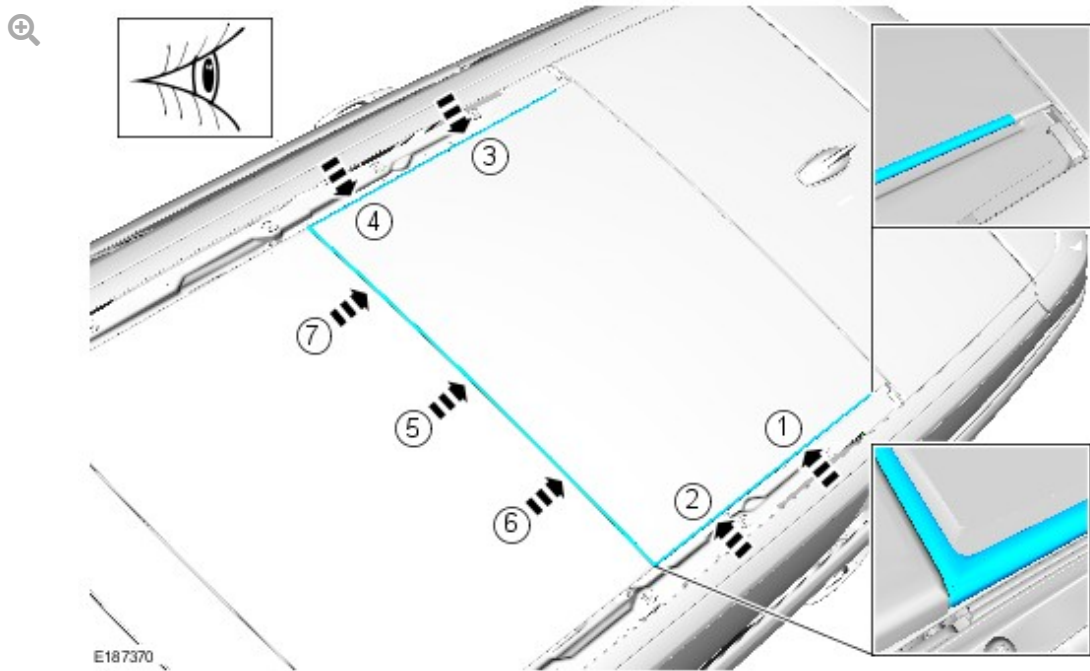
7.

**CAUTION:**

Make sure the roof opening panel rear glass seal is correctly installed and fully located.

**NOTE:**

Make sure the seal is installed in the correct orientation.



Install the new roof opening panel rear glass seal.

- **1.** Make sure the end and the corners of the roof opening panel rear glass seal are installed first.
- **2.** Install the roof opening panel rear glass seal in the order shown.

8.

**NOTE:**

Repeat this step on both sides of the vehicle.

Install the roof molding (see TOPIx Workshop Manual section 501-08: Exterior Trim and Ornamentation).

- 9. Close the roof opening panel.