



Technical Service Bulletin

SUBJECT:		No: TSB-20-42A-007	
ADDITION OF HOOD AIR OUTLET MAINTENANCE PROCEDURE - SMR		DATE: September 2020	
		MODEL: 2003-2006 Lancer Evolution	
CIRCULATE TO:	<input type="checkbox"/> GENERAL MANAGER	<input checked="" type="checkbox"/> PARTS MANAGER	<input checked="" type="checkbox"/> TECHNICIAN
<input checked="" type="checkbox"/> SERVICE ADVISOR	<input checked="" type="checkbox"/> SERVICE MANAGER	<input type="checkbox"/> WARRANTY PROCESSOR	<input type="checkbox"/> SALES MANAGER

PURPOSE

This TSB provides the addition of Hood Air Outlet Maintenance Procedure due to a change in suppliers.

- Addition of Reassembly Service Points
- Addition of color information

AFFECTED VEHICLES

- 2003-2006 Lancer Evolution

AFFECTED SERVICE MANUALS

- 2003 Lancer Evolution Service Manual, Group 42 - Body, Hood
- 2003 Lancer Evolution Service Manual, Body Repair Manual
- 2004 Lancer Evolution Service Manual, Group 42 - Body, Hood
- 2005 Lancer Evolution Service Manual, Group 42 - Body, Hood
- 2006 Lancer Evolution Service Manual, Group 42 - Body, Hood



Please add the attached pages 16-17 to the end of 2003 Lancer Evolution Service Manual, Group 42 - Body, Hood (Publication # MSSP-206B-2003).

Attached sheet 16

42-8

**BODY
 FENDER**

REMOVAL

1. HOOD BUMPER
**HOOD LOCK RELEASE CABLE
 REMOVAL STEPS**
 - FRONT BUMPER ASSEMBLY (REFER TO G51, FRONT BUMPER ASSEMBLY P.51-2).
 - SPLASH SHIELD (REFER TO P.42-9).
2. HOOD LATCH
3. HOOD LOCK RELEASE HANDLE
4. HOOD LOCK RELEASE CABLE
**HOOD AND HOOD HINGE REMOVAL
 STEPS**
5. HOOD WEATHERSTRIP <RIGHT SIDE>
6. HOOD WEATHERSTRIP <LEFT SIDE>

**HOOD AND HOOD HINGE REMOVAL
 STEPS (Continued)**

7. HEADLIGHT WEATHERSTRIP
 - WASHER HORSE (REFER TO GROUP 51, WINDSHIELD WASHER P.51-22).
 - HOOD SUPPORT ROD
 - HOOD HEAT PROTECTOR PANEL
 - HOOD HEAT PROTECTOR
 - HOOD OUTLET GARNISH
- >>A<< 12. HOOD HINGE BOLT (HOOD SIDE)
13. HOOD
14. SHIM
15. HOOD HINGE
16. HOOD WEATHER STRIP

REMOVAL SERVICE POINT

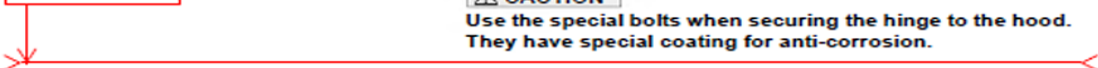
>>A<< HOOD HINGE BOLT INSTALLATION

CAUTION

Use the special bolts when securing the hinge to the hood. They have special coating for anti-corrosion.

<Added>


Attached sheet 17



FENDER

SPECIAL TOOL

M1421000600182

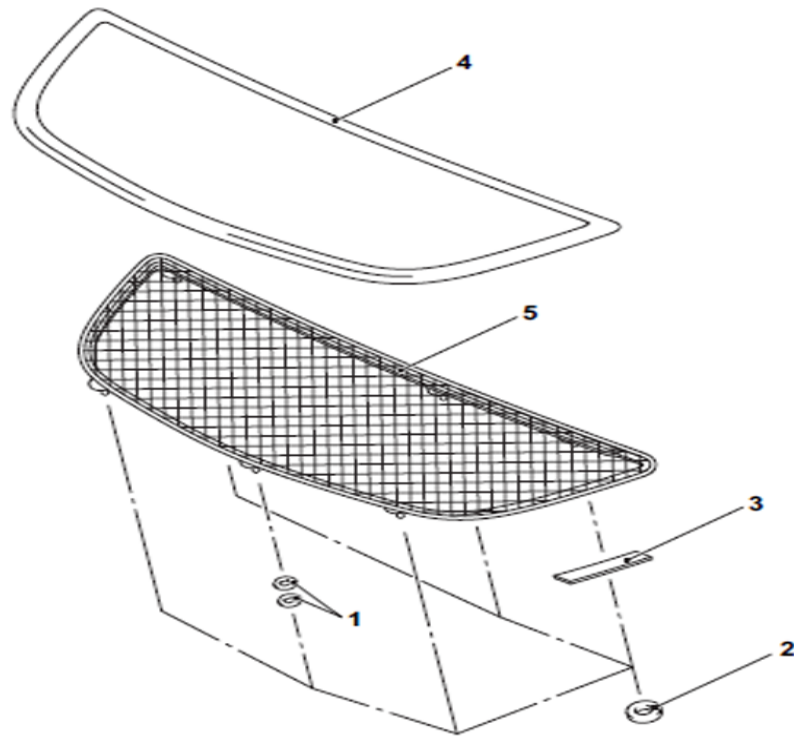
TOOL	TOOL NUMBER AND NAME	SUPERSESSION	APPLICATION
	MB990784 Ornament remover	General service tool	Removal of side turn signal lamp

TSB Revision

Attached sheet 17 (1/2)

<Added>

REASSEMBLY

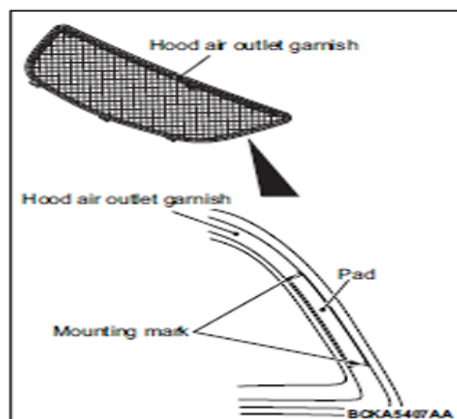


BCKA5260AA

- >>A<<
- Reassembly steps
1. Washer
 2. Packing
 3. Pad

- >>B<<
- Reassembly steps
4. Weatherstrip
 5. Hood air outlet gamish

<Added>



REASSEMBLY SERVICE POINTS

>>A<< PAD INSTALLATION

1. Use MITSUBISHI MOTORS GENUINE parts cleaner (MZ100387) or equivalent to degrease the pad mounting surface of the hood air outlet garnish.

⚠ CAUTION

Be sure to pressurize promptly after application.

2. Install the pad in alignment with the mounting marks of the hood air outlet garnish as shown in the figure.

>>B<< WEATHERSTRIP INSTALLATION

1. Use MITSUBISHI MOTORS GENUINE parts cleaner (ZAA376) or equivalent to degrease the weatherstrip mounting surface of the hood air outlet garnish.

⚠ CAUTION

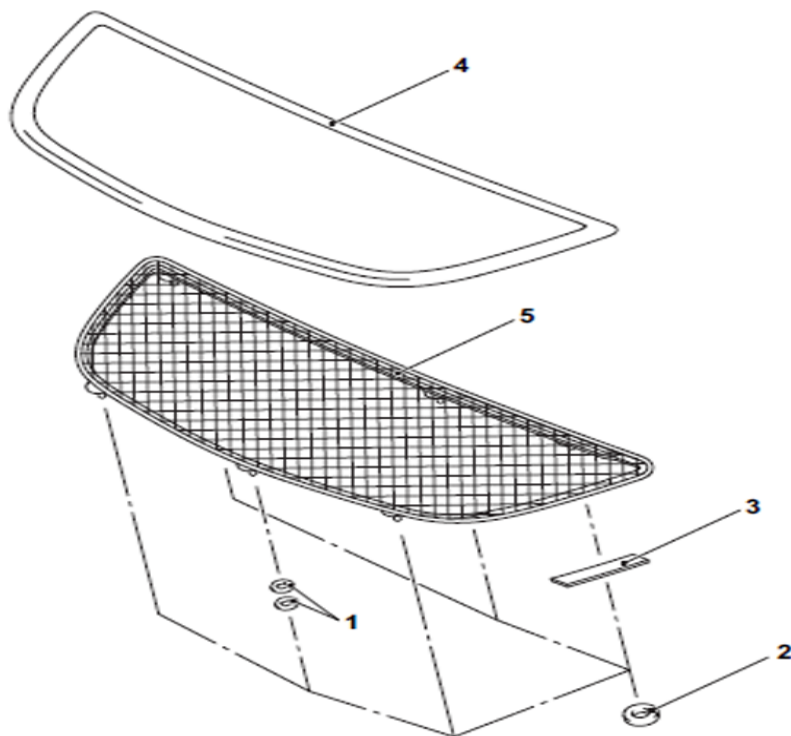
- Be sure to pressurize promptly after application.
 - Install it so that the corners of the weatherstrip are not wavy.
2. Install the weatherstrip on the hood air outlet garnish.

Please add the attached pages 17-18 to the end of 2004 Lancer Evolution Service Manual, Group 42 - Body, Hood (Publication # MSSP-206B-2004).

Attached sheet 17 (1/2)

<Added>

REASSEMBLY



BCKA5260AA

- >>A<<
- Reassembly steps**
1. Washer
 2. Packing
 3. Pad

- >>B<<
- Reassembly steps**
4. Weatherstrip
 5. Hood air outlet gamish

<Added>

REASSEMBLY SERVICE POINTS**>>A<< PAD INSTALLATION**

1. Use MITSUBISHI MOTORS GENUINE parts cleaner (MZ100387) or equivalent to degrease the pad mounting surface of the hood air outlet garnish.

⚠ CAUTION

Be sure to pressurize promptly after application.

2. Install the pad in alignment with the mounting marks of the hood air outlet garnish as shown in the figure.

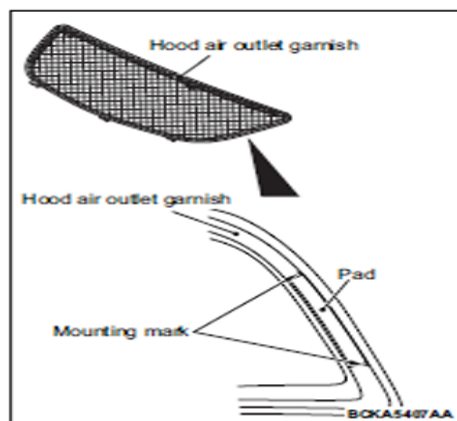
>>B<< WEATHERSTRIP INSTALLATION

1. Use MITSUBISHI MOTORS GENUINE parts cleaner (ZAA376) or equivalent to degrease the weatherstrip mounting surface of the hood air outlet garnish.

⚠ CAUTION

- **Be sure to pressurize promptly after application.**
- **Install it so that the corners of the weatherstrip are not wavy.**

2. Install the weatherstrip on the hood air outlet garnish.



42-8

BODY
FENDER

Attached sheet 18


HOOD AND HOOD HINGE REMOVAL

STEPS (Continued)

- >>A<< 12. HOOD HINGE BOLT (HOOD SIDE)
13. HOOD
14. SHIM
15. HOOD HINGE
16. HOOD WEATHER STRIP

REMOVAL SERVICE POINT

>>A<< HOOD HINGE BOLT INSTALLATION

 CAUTION

Use the special bolts when securing the hinge to the hood.
They have special coating for anti-corrosion.


<Added>

Attached sheet 17

FENDER

SPECIAL TOOL

M1421000600319

TOOL	TOOL NUMBER AND NAME	SUPERSESSION	APPLICATION
 MB990784	MB990784 Ornament remover	General service tool	Removal of side turn signal light

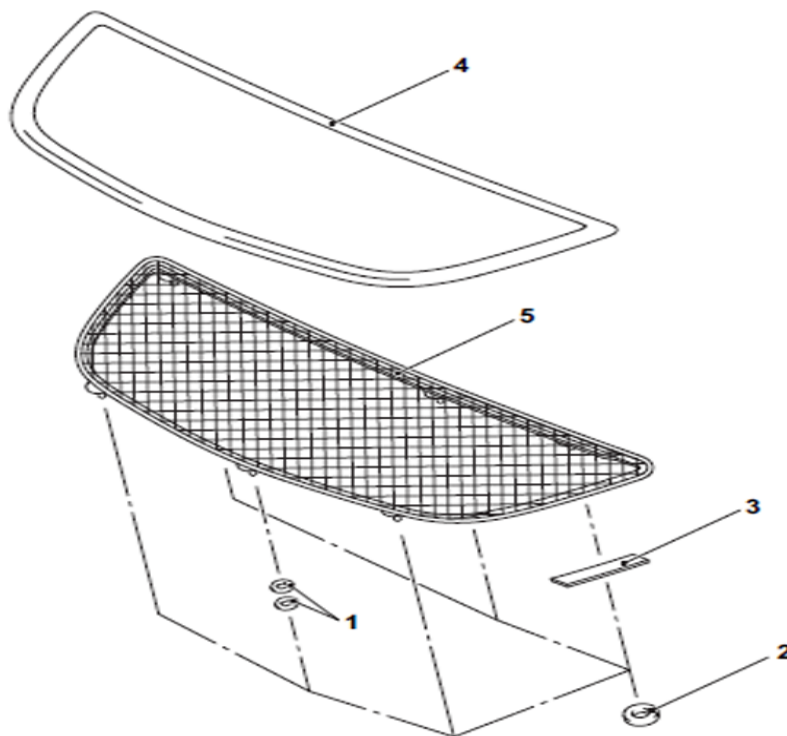
TSB Revision

Please add the attached pages 17 and 19 to the end of the 2005 Lancer Evolution Service Manual, Group 42 - Body, Hood (Publication # MSSP-206B-2005).

Attached sheet 17 (1/2)

<Added>

REASSEMBLY



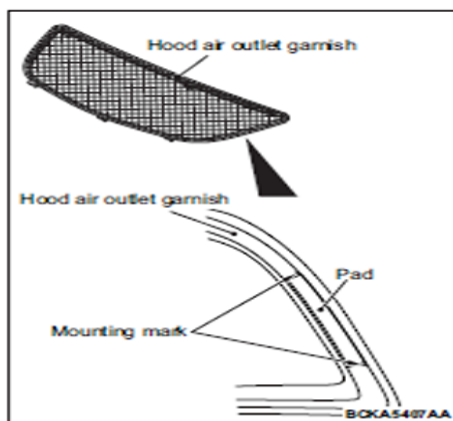
BCKA5260AA

- >>A<<
- Reassembly steps**
1. Washer
 2. Packing
 3. Pad

- >>B<<
- Reassembly steps**
4. Weatherstrip
 5. Hood air outlet gamish

Attached sheet 17 (2/2)

<Added>



REASSEMBLY SERVICE POINTS

>>A<< PAD INSTALLATION

1. Use MITSUBISHI MOTORS GENUINE parts cleaner (MZ100387) or equivalent to degrease the pad mounting surface of the hood air outlet garnish.

CAUTION

Be sure to pressurize promptly after application.

2. Install the pad in alignment with the mounting marks of the hood air outlet garnish as shown in the figure.

>>B<< WEATHERSTRIP INSTALLATION

1. Use MITSUBISHI MOTORS GENUINE parts cleaner (ZAA376) or equivalent to degrease the weatherstrip mounting surface of the hood air outlet garnish.

CAUTION

- Be sure to pressurize promptly after application.
 - Install it so that the corners of the weatherstrip are not wavy.
2. Install the weatherstrip on the hood air outlet garnish.

Attached sheet 19

42-8

BODY
HOOD

**HOOD AND HOOD HINGE REMOVAL
STEPS (Continued)**

- >>A<<
- 12. HOOD HINGE BOLT (HOOD SIDE)
 - 13. HOOD
 - 14. SHIM
 - 15. HOOD HINGE
 - 16. HOOD WEATHER STRIP

REMOVAL SERVICE POINT

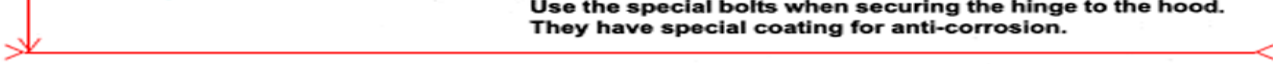
>>A<< HOOD HINGE BOLT INSTALLATION

⚠ CAUTION

Use the special bolts when securing the hinge to the hood.
They have special coating for anti-corrosion.

<Added>

Attached sheet 17



TSB Revision

Please add the attached page 20 to the end of 2003 Lancer Evolution Service Manual, Body Repair Manual, Group 42 - Body, Hood (Publication # MSSP-260B-2003).

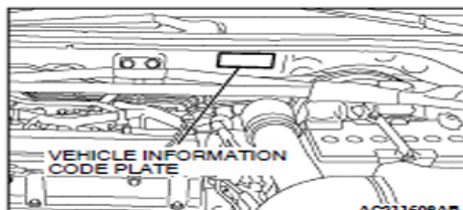
Attached sheet 20

6-2

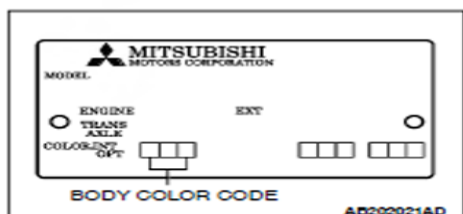
BODY COLOR
BODY COLOR CODE

BODY COLOR CODE

M4060001000118



1. The body color code is imprinted on the vehicle information code plate, which is mounted on the front deck.



2. The information is contained in the body color charts.

BODY COLOR CHARTS

M4060002000133

Check the vehicle's body color code, and then use this body color chart to determine the refinishing paint supplier from which the color can be purchased.

OUTER PANEL- COLOR					INNER PANEL- COLOR	
COLOR	COLOR CODE	COLOR NUMBER	COLOR NAME	COMPOSITION OF FILM	COLOR NUMBER	COLOR NAME
SILVER	A31	CMA10031	Cool Silver	Metallic	AC10595	GRAY
BRIGHT BLUE	T10	CMT10010	French Blue	Solid	CMB17004	BRIGHT BLUE
BLACK	X42	AC11342	Amethyst Black	Interferenced Pearl	AC10903	BLACK
WHITE	W83	AC10983	Scotia White	Solid	AC10883	WHITE
RED	P85	AC11185	Palma Red	Solid	AC10795	RED
YELLOW	Y01	CMY10001	Dandelion Yellow	Solid	AC10911	YELLOW

NOTE: Inner Panel-Color refers to the coat color of the engine, cabin and floor.

<Added>

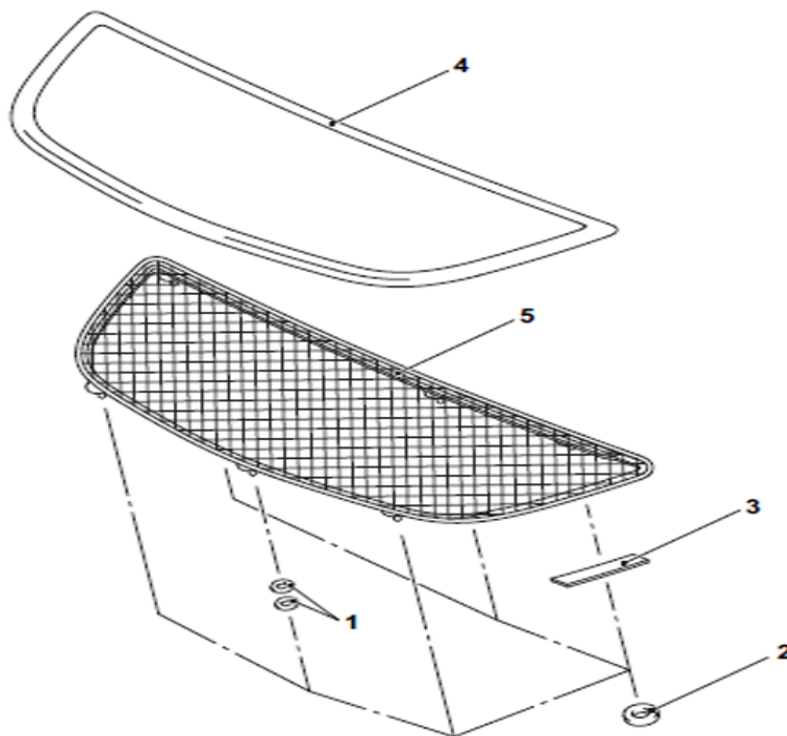
The hood air outlet garnish is painted in black (AC10657).

Please add the attached pages 17 and 20 to the end of the 2003 Lancer Evolution Service Manual, Body, Hood (Publication #MSCD-206B-2003).

Attached sheet 17 (1/2)

<Added>

REASSEMBLY



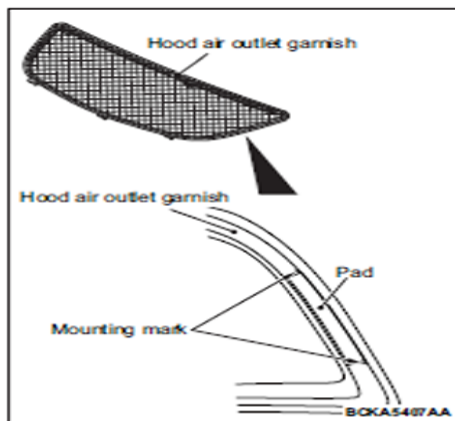
BCKA5260AA

- >>A<<
- Reassembly steps**
1. Washer
 2. Packing
 3. Pad

- >>B<<
- Reassembly steps**
4. Weatherstrip
 5. Hood air outlet gamish

Attached sheet 17 (2/2)

<Added>



REASSEMBLY SERVICE POINTS

>>A<< PAD INSTALLATION

1. Use MITSUBISHI MOTORS GENUINE parts cleaner (MZ100387) or equivalent to degrease the pad mounting surface of the hood air outlet garnish.

⚠ CAUTION

Be sure to pressurize promptly after application.

2. Install the pad in alignment with the mounting marks of the hood air outlet garnish as shown in the figure.

>>B<< WEATHERSTRIP INSTALLATION

1. Use MITSUBISHI MOTORS GENUINE parts cleaner (ZAA376) or equivalent to degrease the weatherstrip mounting surface of the hood air outlet garnish.

⚠ CAUTION

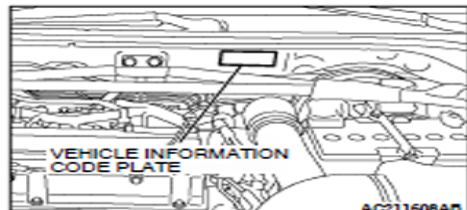
- Be sure to pressurize promptly after application.
 - Install it so that the corners of the weatherstrip are not wavy.
2. Install the weatherstrip on the hood air outlet garnish.

6-2

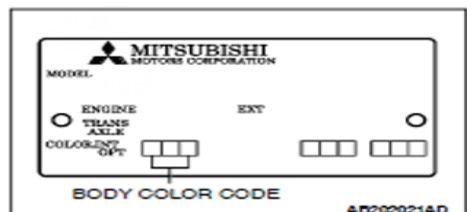
BODY COLOR
BODY COLOR CODE

BODY COLOR CODE

M4060001000118



1. The body color code is imprinted on the vehicle information code plate, which is mounted on the front deck.



2. The information is contained in the body color charts.

BODY COLOR CHARTS

M4060002000133

Check the vehicle's body color code, and then use this body color chart to determine the refinishing paint supplier from which the color can be purchased.

OUTER PANEL- COLOR					INNER PANEL- COLOR	
COLOR	COLOR CODE	COLOR NUMBER	COLOR NAME	COMPOSITION OF FILM	COLOR NUMBER	COLOR NAME
SILVER	A31	CMA10031	Cool Silver	Metallic	AC10595	GRAY
BRIGHT BLUE	T10	CMT10010	French Blue	Solid	CMB17004	BRIGHT BLUE
BLACK	X42	AC11342	Amethyst Black	Interferenced Pearl	AC10903	BLACK
WHITE	W83	AC10983	Scotia White	Solid	AC10863	WHITE
RED	P85	AC11185	Palma Red	Solid	AC10795	RED
YELLOW	Y01	CMY10001	Dandelion Yellow	Solid	AC10911	YELLOW

NOTE: Inner Panel-Color refers to the coat color of the engine, cabin and floor.

<Added>

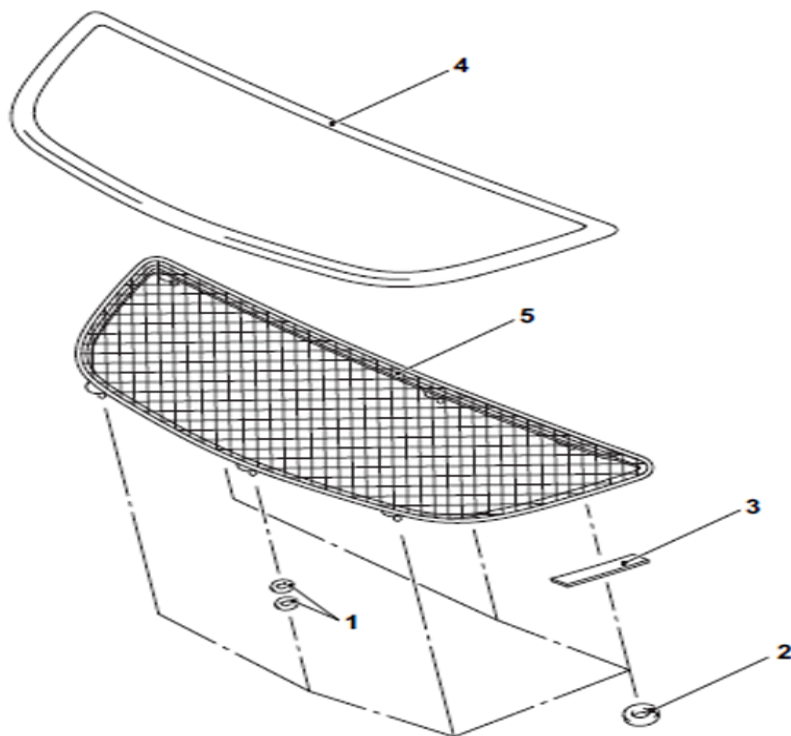
The hood air outlet garnish is painted in black (AC10657).

Please add the attached page 17 to the end of 2005 Lancer Evolution Service Manual, Group 42, Body, Hood (Publication # MSCD-206B-2005).

Attached sheet 17 (1/2)

<Added>

REASSEMBLY

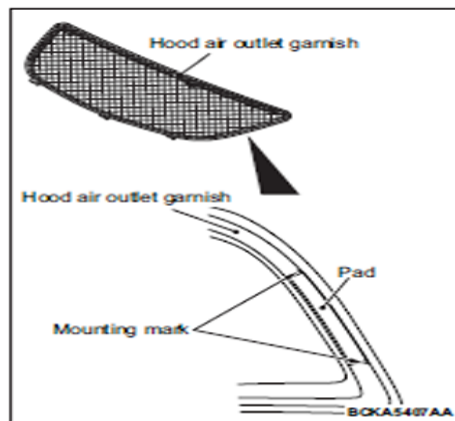


BCKA5260AA

- >>A<<
- Reassembly steps**
1. Washer
 2. Packing
 3. Pad

- >>B<<
- Reassembly steps**
4. Weatherstrip
 5. Hood air outlet gamish

<Added>



REASSEMBLY SERVICE POINTS

>>A<< PAD INSTALLATION

1. Use MITSUBISHI MOTORS GENUINE parts cleaner (MZ100387) or equivalent to degrease the pad mounting surface of the hood air outlet garnish.

CAUTION

Be sure to pressurize promptly after application.

2. Install the pad in alignment with the mounting marks of the hood air outlet garnish as shown in the figure.

>>B<< WEATHERSTRIP INSTALLATION

1. Use MITSUBISHI MOTORS GENUINE parts cleaner (ZAA376) or equivalent to degrease the weatherstrip mounting surface of the hood air outlet garnish.

CAUTION

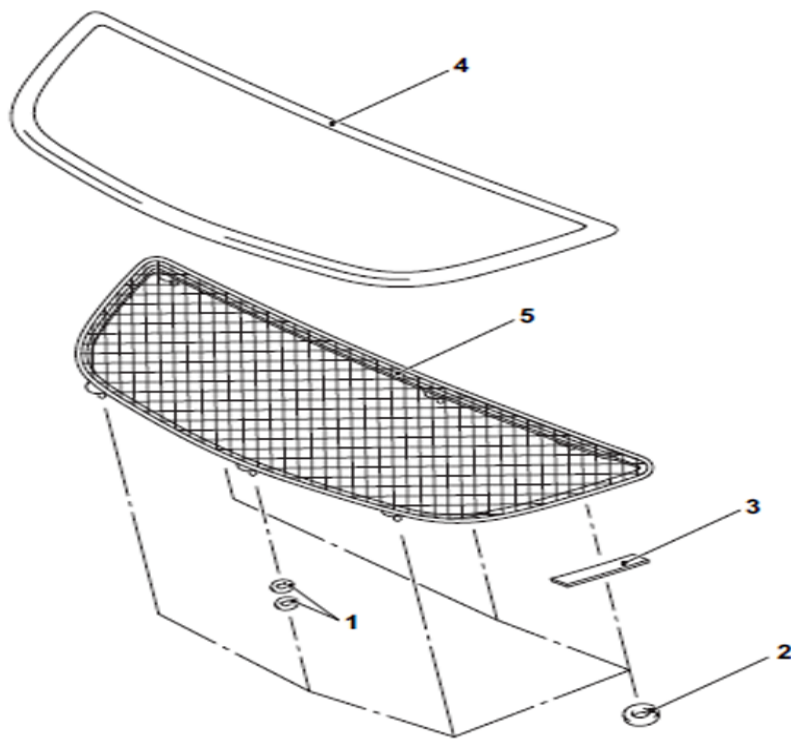
- **Be sure to pressurize promptly after application.**
 - **Install it so that the corners of the weatherstrip are not wavy.**
2. Install the weatherstrip on the hood air outlet garnish.

Please add the attached page 17 to the end of 2006 Lancer Evolution Service Manual, Group 42, Body, Hood (Publication #MSCD-206B-2006).

Attached sheet 17 (1/2)

<Added>

REASSEMBLY

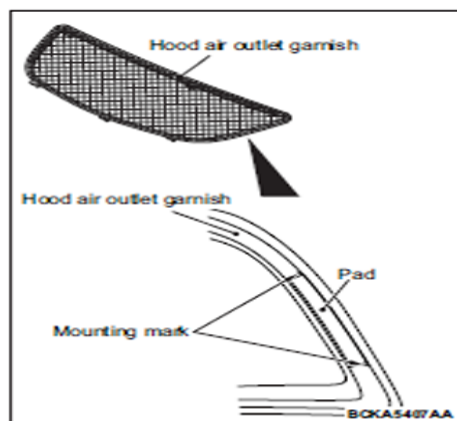


BCKA5260AA

- >>A<<
- Reassembly steps**
1. Washer
 2. Packing
 3. Pad

- >>B<<
- Reassembly steps**
4. Weatherstrip
 5. Hood air outlet garnish

<Added>



REASSEMBLY SERVICE POINTS

>>A<< PAD INSTALLATION

1. Use MITSUBISHI MOTORS GENUINE parts cleaner (MZ100387) or equivalent to degrease the pad mounting surface of the hood air outlet garnish.

⚠ CAUTION

Be sure to pressurize promptly after application.

2. Install the pad in alignment with the mounting marks of the hood air outlet garnish as shown in the figure.

>>B<< WEATHERSTRIP INSTALLATION

1. Use MITSUBISHI MOTORS GENUINE parts cleaner (ZAA376) or equivalent to degrease the weatherstrip mounting surface of the hood air outlet garnish.

⚠ CAUTION

- Be sure to pressurize promptly after application.
 - Install it so that the corners of the weatherstrip are not wavy.
2. Install the weatherstrip on the hood air outlet garnish.