



Date	Group	No.	Release	Page
10.2020	<b>801</b>	<b>004</b>	<b>01</b>	1(25)

## Cab Door Glass Bracket, Installation AN, GR

### **FSB 801-004, Cab Door Glass Bracket, Installation**

(October 2020)

On certain Mack Trucks AN and GR models, produced from February 1st, 2018, customers may experience breakage of the door glass. This is typically an early life failure.

#### **Solution**

If this condition exists, follow the procedures outlined in this Field Service Bulletin (FSB).

Order parts listed in required parts section and repair vehicles as per instructions outlined in this FSB.

## Required Parts

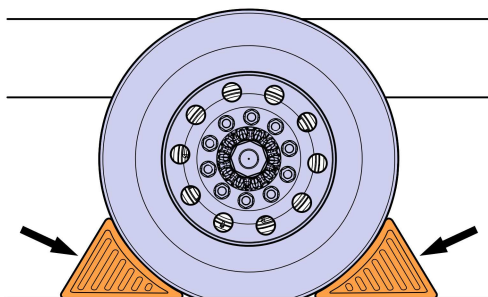
Part Description	Part Number	Quantity
Bracket Kit	23907687	1

## Decommissioning the Truck for Repair

You must read and understand the precautions and guidelines in Service Information, group 30, "General Safety Practices, Electrical" before performing this procedure. If you are not properly trained and certified in this procedure, ask your supervisor for training before you perform it.

**NOTE:** Information is subject to change without notice. Illustrations are used for reference only and can differ slightly from the actual vehicle being serviced. However, key components addressed in this information are represented as accurately as possible.

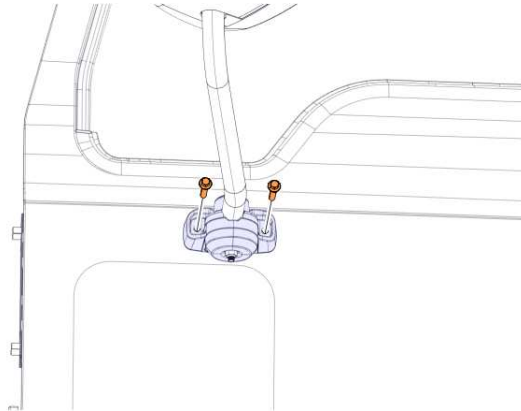
- 1 Park the vehicle on a flat and level surface.
- 2 Apply the parking brake.
- 3 Place the gear lever in neutral.
- 4 Install the wheel chocks.



W7086748

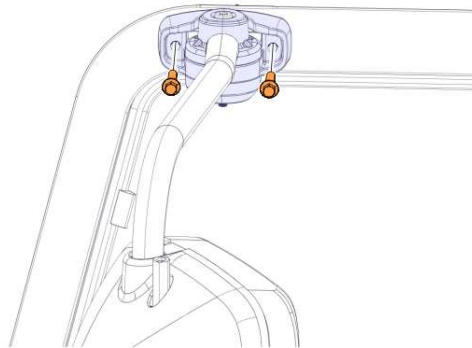
## Cab Door Glass Bracket, Installation

- 1 Remove the screws.



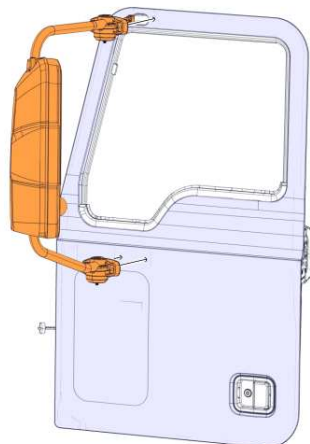
N356153

- 2 Remove the screws.



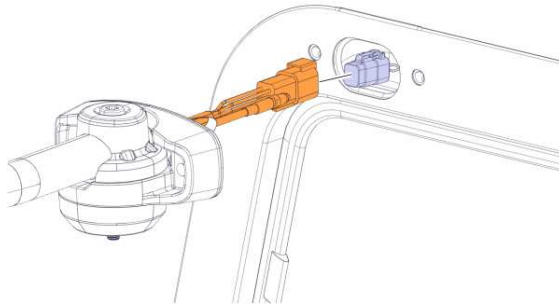
N356152

- 3 Remove the mirror assembly.



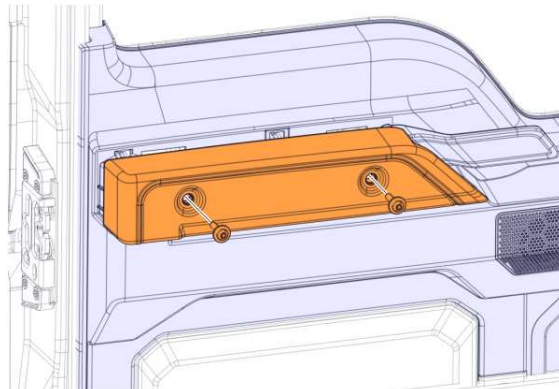
N356154

- 4 Disconnect the connector.



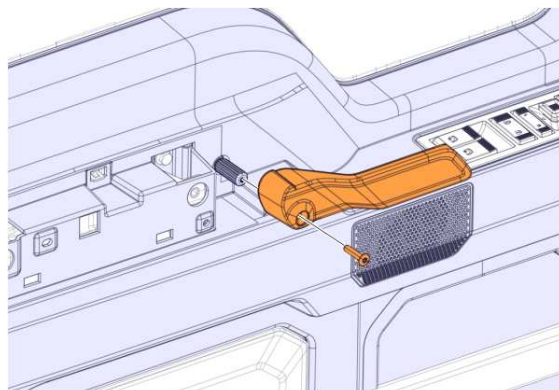
N356155

- 5 Lower the window approximately half way down.
- 6 Remove the screws.
- 7 Remove the armrest.



N345517

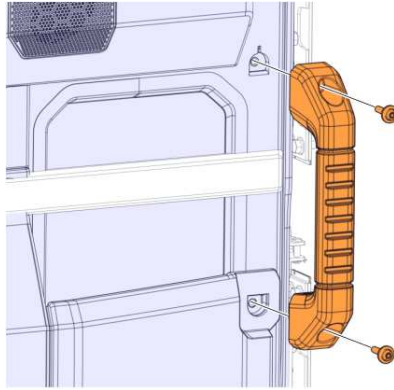
- 8 Remove the screws.
- 9 Remove the handle.



N345518

10 Remove the screws.

11 Remove the handle.

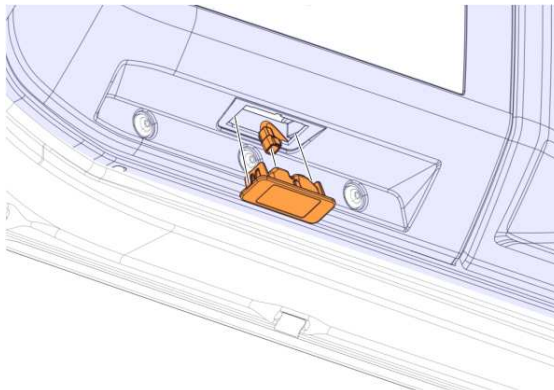


N345519

12 Pull out the lamp.

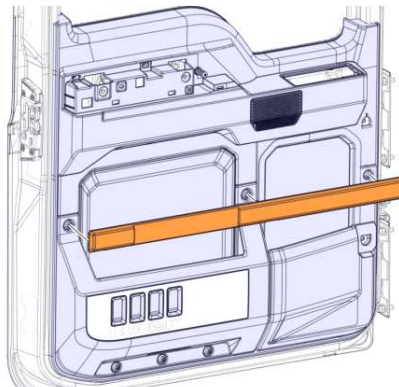
13 Disconnect the connector.

14 Remove the lamp.



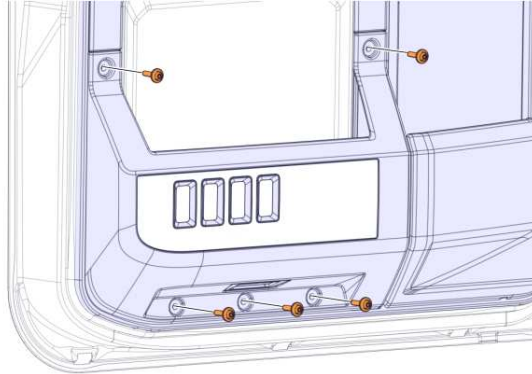
N345522

15 Remove the trim.



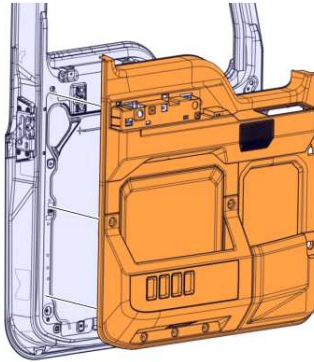
N345523

16 Remove the screws.



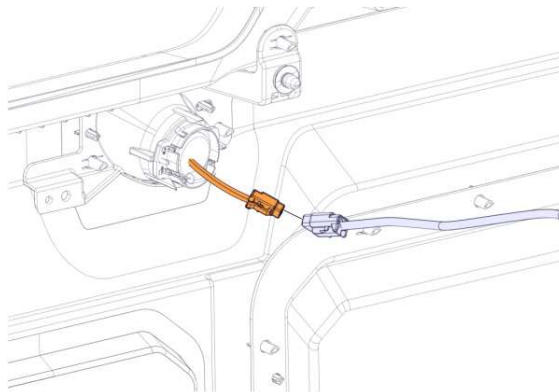
N345524

17 Remove the door panel.



N345525

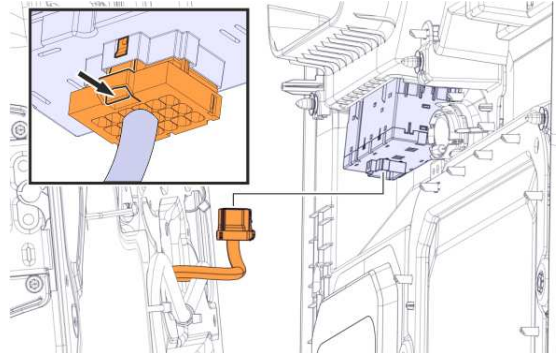
18 Disconnect the connector.



N346248

19 Disconnect the connector.

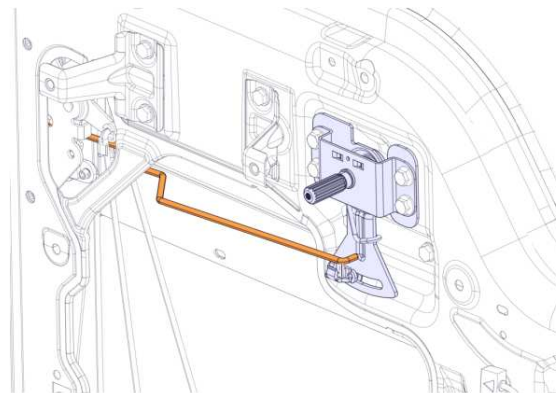
**Note:** Press the lock to release.



N390315

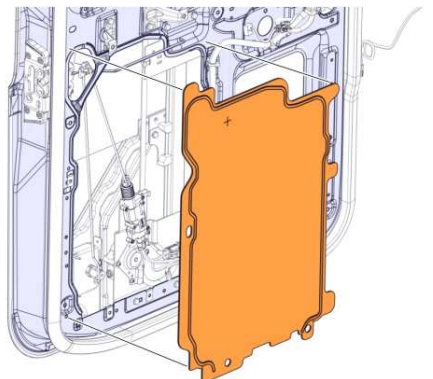
20 Remove the rod from the locking device.

**Note:** Take care not to bend the rod.



N347720

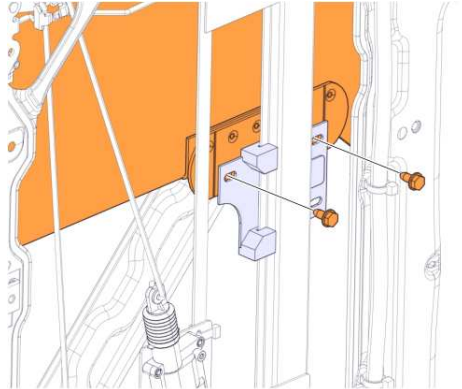
21 Remove the weather shield.



N347721

22 Support the window assembly.

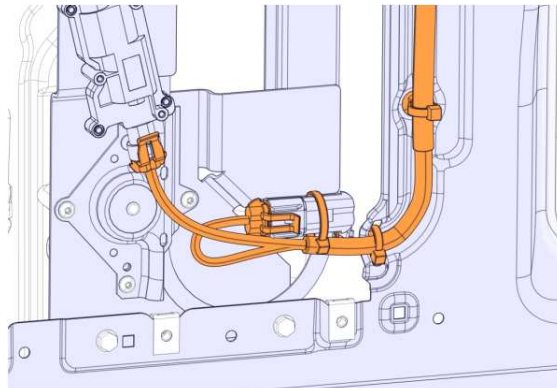
23 Remove the screws.



N347723

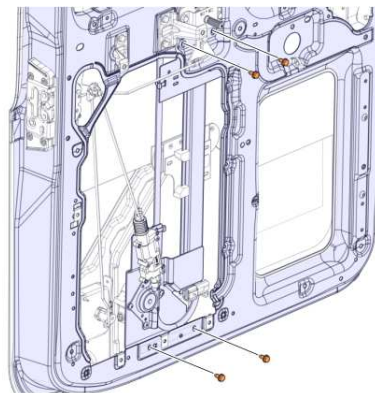
24 Remove the cable ties.

25 Disconnect the connectors.



N347724

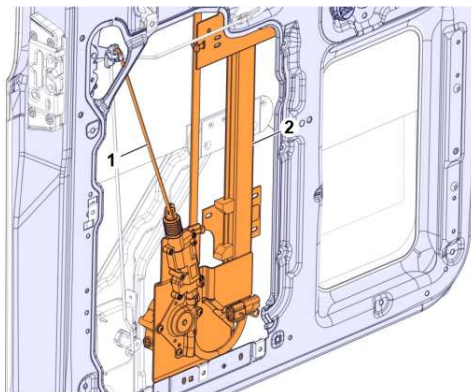
26 Remove the screws.



N347725

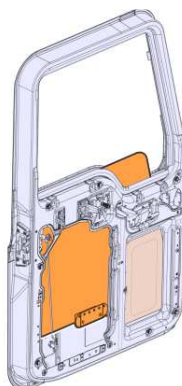
27 Remove the rod from the actuator **(1)**.

28 Remove the window lift assembly **(2)**.



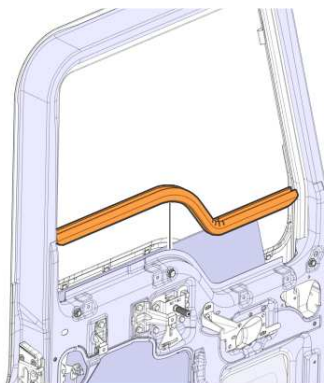
T8164605

29 Lower the window to the bottom of the door.



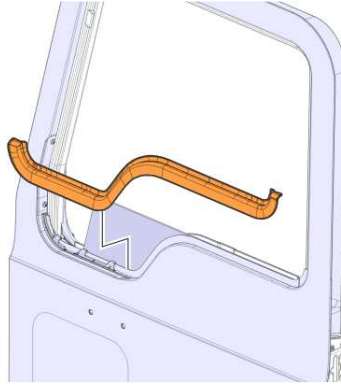
N396701

30 Remove the seal.



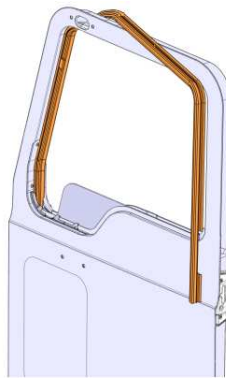
N396702

31 Remove the seal.



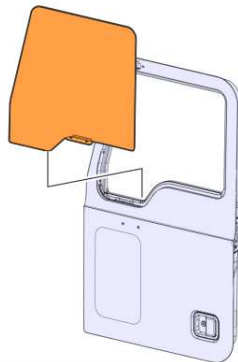
N396703

32 Move aside the seal over the door.



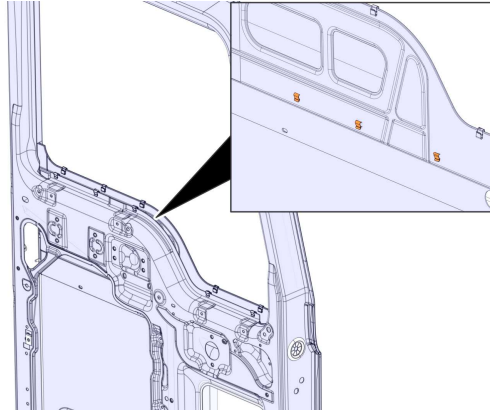
N396704

33 Remove the window.



N396707

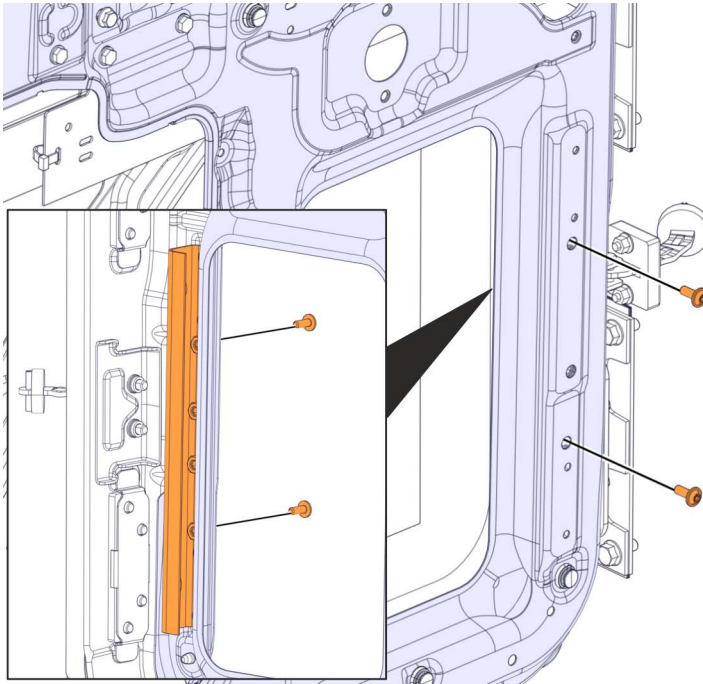
34 Check that the tabs in the inside door are depressed properly.



T8163731

35 Remove the screws.

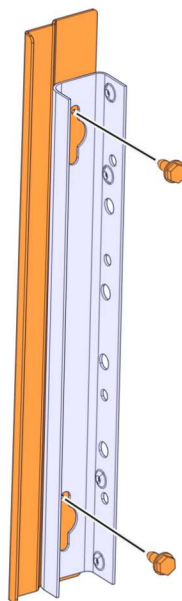
36 Remove the bracket.



T8163343

## Cab Door Glass Bracket, Installation

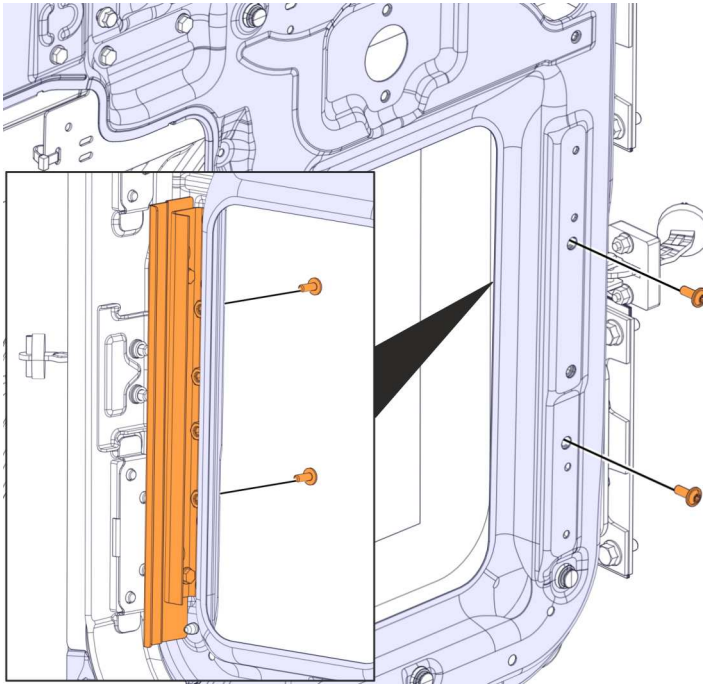
- 1 Install the bracket.
- 2 Install the screws.
- 3 Torque tighten the screws  $8\pm 1$  Nm ( $5.9\pm 0.7$  lb.-ft.).



T8163344

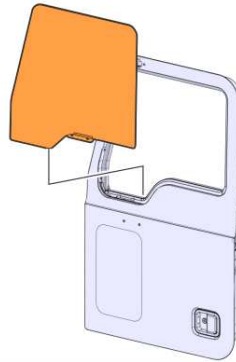
Part Description	Part Number	Quantity
Bracket Kit	23907687	1

- 4 Install the bracket.
- 5 Install the screws.



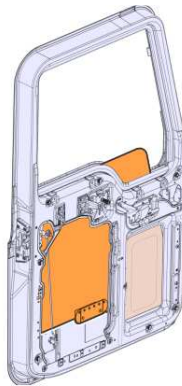
T8163345

6 Install the window.



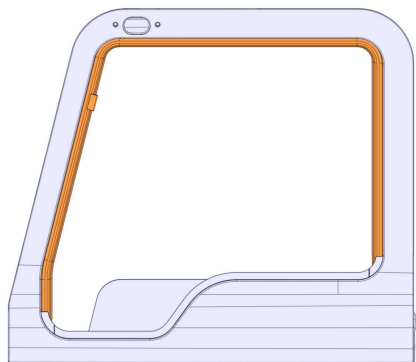
N396707

7 Place the window in the bottom of the door.



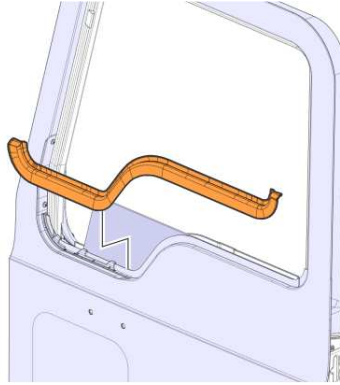
N396701

8 Install the seal.



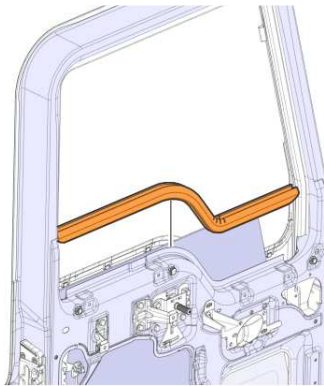
T8163342

9 Install the seal.



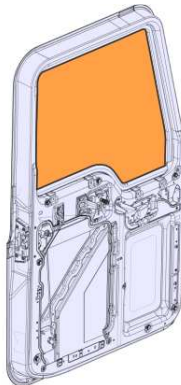
N396703

10 Install the seal.



N396702

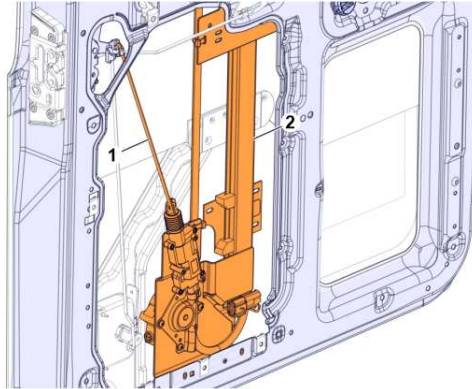
11 Push the door glass to fully closed position.



N396722

12 Install the window lift assembly **(2)**.

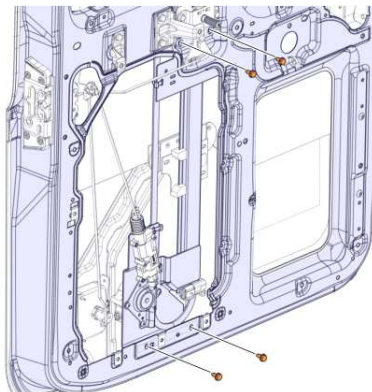
13 Install the rod to the actuator **(1)**.



T8164605

14 Install the screws.

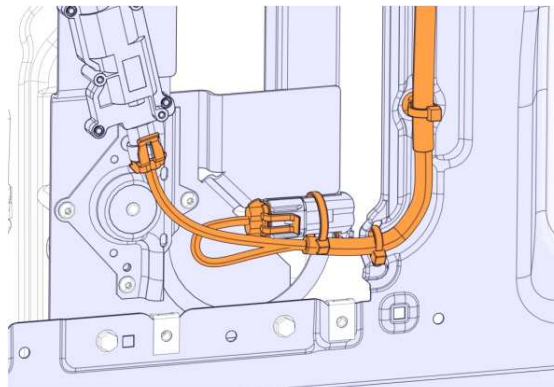
15 Torque tighten the screws  $13 \pm 4$  Nm ( $9.5 \pm 3$  lbf-ft).



N347725

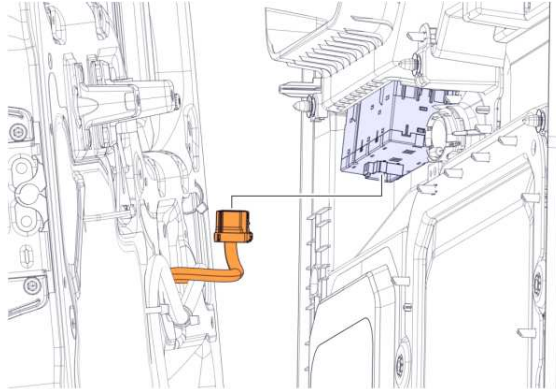
16 Connect the connectors.

17 Secure the harness with cable ties.



N347724

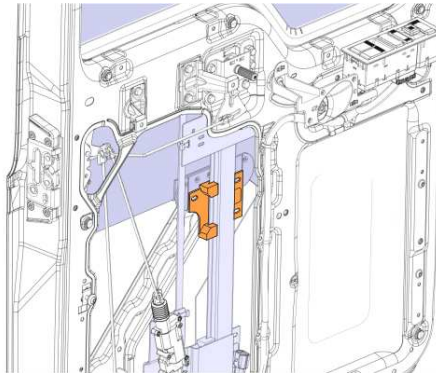
18 Connect the connector.



N345521

19 Set the window regulator.

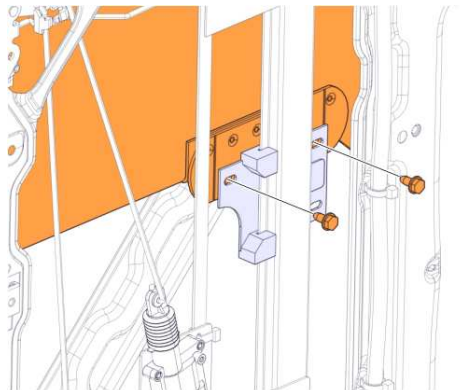
**Note:** Use the controls to set the window lift to half position.



N396725

20 Install the screws.

21 Torque tighten the screws  $13 \pm 4$  Nm ( $9.5 \pm 3$  lbf-ft).



N347723

22 Perform a function check of the window regulator mechanism.

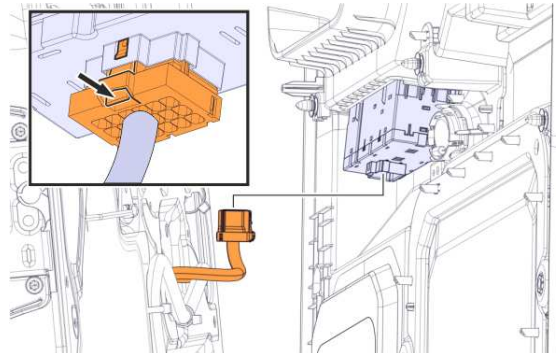
**Note:** Adjusted the door window by slackening the guide rail front screw.

**Note:** Press the window rearward against the window rail and at the same time tighten the front screw in the guide rail.

23 Check the angle of the door window.

24 Disconnect the connector.

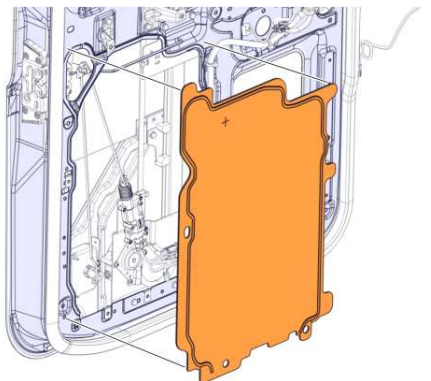
**Note:** Press the lock to release.



N390315

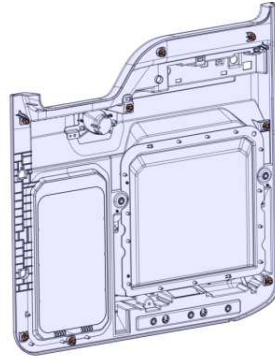
25 Install the weather shield.

**Note:** Be sure to route the locking device rod through the appropriate cut-out.



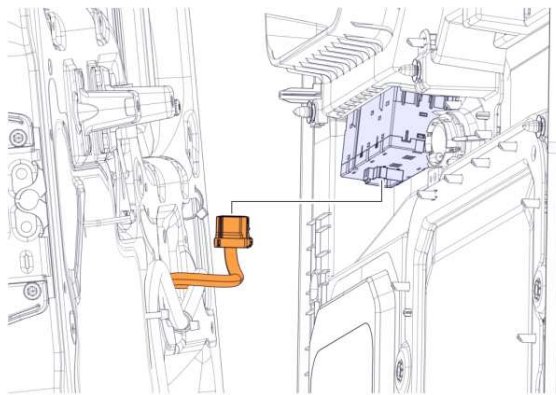
N347721

26 Replace any broken retainers.



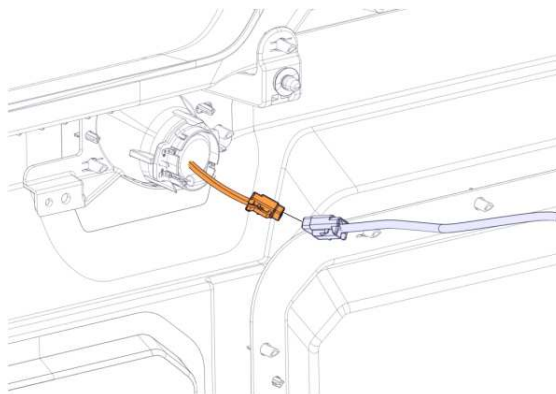
N345526

27 Connect the connector.



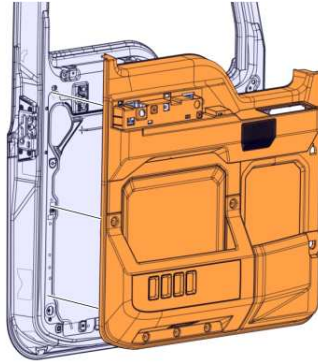
N345521

28 Connect the connector.



N346248

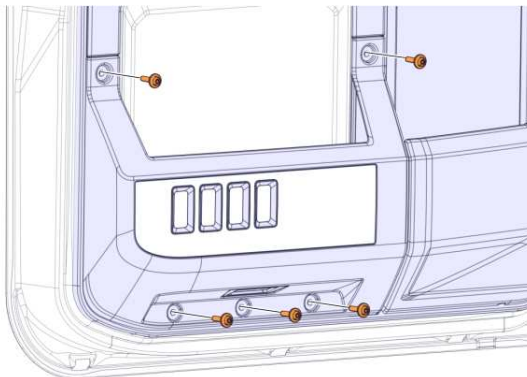
29 Install the door panel.



N345525

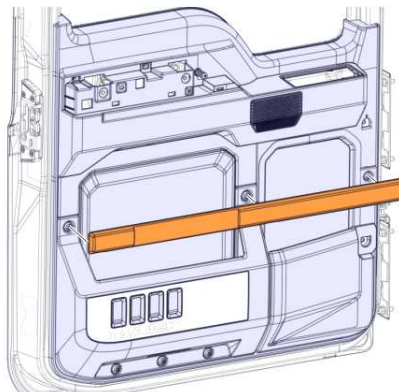
30 Install the screws.

31 Torque tighten the screws M4 1.5 ±0.5 Nm (1.1 ±0.3 lbf-ft).



N345524

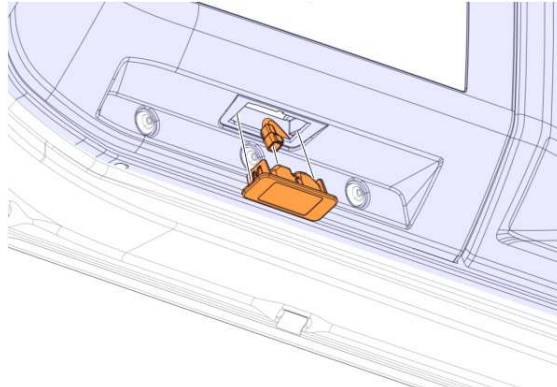
32 Install the trim.



N345523

33 Connect the connector.

34 Install the lamp.

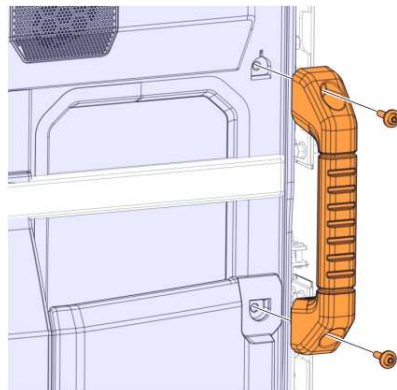


N345522

35 Install the handle.

36 Install the screws.

37 Torque tighten the screws  $3.1 \pm 0.5$  Nm ( $2.2 \pm 0.3$  lbf-ft).

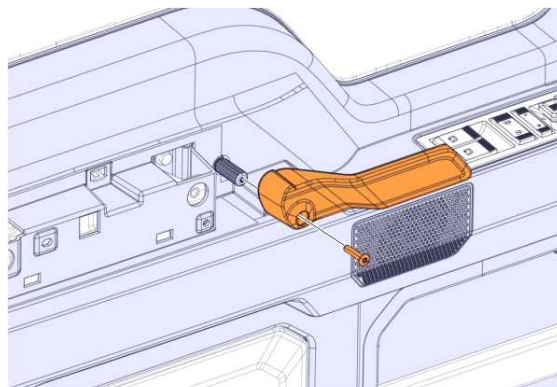


N345519

38 Install the handle.

39 Install the screw.

40 Torque tighten the screws  $0.6 \pm 0.1$  Nm ( $0.4 \pm 0.1$  lbf-ft).

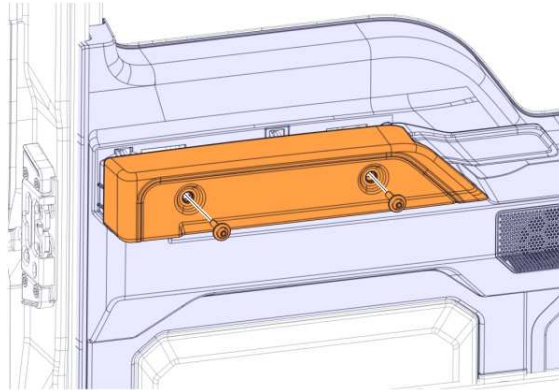


N345518

41 Install the armrest.

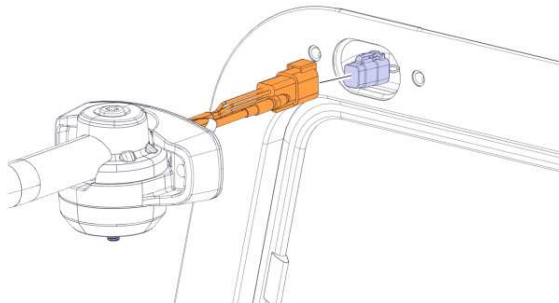
42 Install the screws.

43 Torque tighten the screws M5 3.1±0.8 Nm (2.3 ±0.6 lbf-ft).



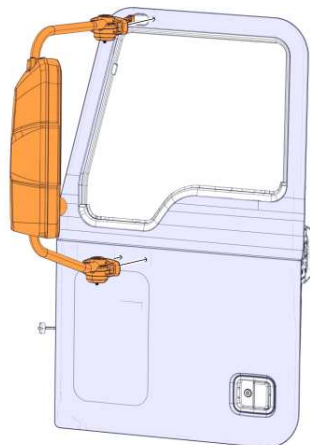
N345517

44 Connect the connector.



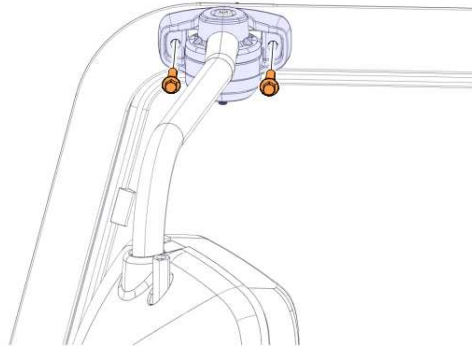
N356155

45 Install the mirror assembly.



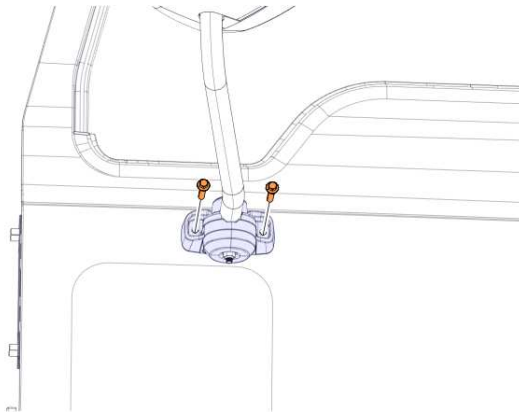
N356154

46 Install the screws.



N356152

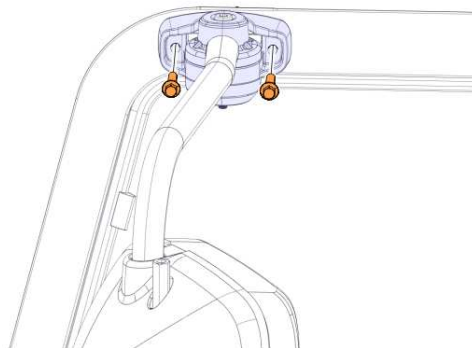
47 Install the screws.



N356153

48 Install the screws.

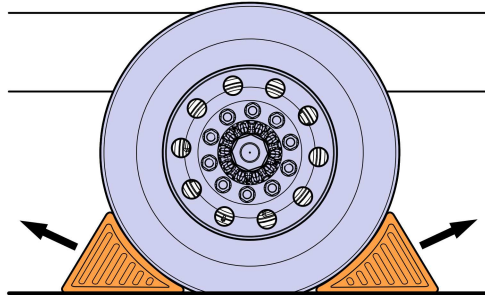
49 Torque tighten the screws  $24 \pm 4$  Nm ( $17.8 \pm 2.3$  lbf-ft).



N356152

## Commissioning the Truck for Operation

- 1 Remove the wheel chocks.



W7086759

### Reimbursement

<b>This repair is covered by an authorized Service Program. Reimbursement is obtained via the normal claim handling process.</b>	<b>UCHP Reimbursement</b>
<b>Claim Type (used only when uploading from the Dealer Bus. Sys.)</b>	01
<b>Labour Code</b> Cab Door Glass Bracket, Installation	8019-02-09-01 1.2 hrs.

MackTrucks North America reserves the right to make any changes in design or to make additions to or upon its products without incurring any obligations to install the same on vehicles previously built.