

October 2, 2020

Version 6

Front and/or Rear Brakes Squeal When Applied at Low Speeds

Supersedes 19-053, dated June 19, 2020, see REVISION SUMMARY

AFFECTED VEHICLES

Year	Model	Trim Level	VIN Range	Group
2019	RDX	ALL	ALL	Group A
2020	RDX	2WD	5J8TC1...LL000001 thru 5J8TC1...LL002519	
		AWD	5J8TC2...LL000001 thru 5J8TC2...LL004864	
		2WD	5J8TC1...LL002520 or later	Group B
		AWD	5J8TC2...LL004865 or later	

REVISION SUMMARY

This bulletin has been extensively revised. American Honda recommends reviewing the entire bulletin.

SYMPTOM

The front and/or rear brakes make a high-pitched squeal when lightly applied at **15 mph** or less.

NOTE

The front brakes stop squealing when they are warmed up.

PROBABLE CAUSE

- *Front Brakes:* The brake discs are too stiff.
- *Rear Brakes:* There is not enough dampening between the rear brake pads and shims.

CLIENT INFORMATION: The information in this bulletin is intended for use only by skilled technicians who have the proper tools, equipment, and training to correctly and safely maintain your vehicle. These procedures should not be attempted by "do-it-yourselfers," and you should not assume this bulletin applies to your vehicle, or that your vehicle has the condition described. To determine whether this information applies, contact an authorized Acura automobile dealer.

CORRECTIVE ACTION

- *Squeal from the front brakes:*
 - Group A - Replace the front brake discs and pads.
 - Group B - Replace the front brake pads.
- *Squeal from the rear brakes:*
 - Group A & B - Replace the rear brake pads.
- *Squeal from both front and rear brakes:*
 - Group A - Replace the front brake discs, front brake pads, and rear brake pads.
 - Group B - Replace the front and rear brake pads.

PARTS INFORMATION

Part Name	Part Number	Quantity
Front Brake Disc	45251-TJB-A02	2
Front Brake Pad Set (includes M-77 assembly paste)	45022-TJB-A02	1
Rear Brake Pad Set (includes ATE Plastilube paste)	43022-TJB-A03	1

TOOL INFORMATION

Part Name	Part Number	Quantity
Brake Caliper Piston Compressor	07AAE-SEPA101	1

WARRANTY CLAIM INFORMATION

The normal warranty applies.

Squeal from the Front Brakes

Operation Number	Description	Flat Rate Time	Defect Code	Symptom Code	Template ID	Failed Part Number
410101	Group A - Replace the front brake discs.	0.6 hr	03214	04201	B29053A	45251-TJB-A02
E	Replace the front brake pads.	0.2 hr				
410150	Group B - Replace the front brake pads.	0.6 hr	03214	04201	B29053B	45251-TJB-A02

Squeal from the Rear Brakes

Operation Number	Description	Flat Rate Time	Defect Code	Symptom Code	Template ID	Failed Part Number
411150	Group A & B - Replace the rear brake pads.	0.7 hr	03214	04201	B29053C	43022-TJB-A02

Squeal from the Front and Rear Brakes

Operation Number	Description	Flat Rate Time	Defect Code	Symptom Code	Template ID	Failed Part Number
410101	Group A - Replace the front brake discs.	0.6 hr	03214	04201	B29053D	43022-TJB-A02
E	Replace the front brake pads.	0.2 hr				
G	Replace the rear brake pads.	0.5 hr				
410150	Group B - Replace the front brake pads.	0.6 hr	03214	04201	B29053E	43022-TJB-A02
411150	Replace the rear brake pads.	0.7 hr				

Skill Level: Repair Technician

INSPECTION PROCEDURE

NOTE

Based on your inspection, you may have to repair both the front and rear brakes.

Squeal from the Front Brakes

Check if you hear a high-pitch squeal with light brake application at **15 mph** or less, and the ambient temperature is below **50°F**. The squeal should **go away** when the brakes are warmed up after several stops.

- If the front brakes are squealing, go to AFFECTED VEHICLES to see which group the vehicle is in.
 - Group A - Go to REPAIR PROCEDURE GROUP A to replace the front brake discs and pads only.
 - Group B - Go to REPAIR PROCEDURE GROUP B to replace the front brake pads only.
- If the high-pitched squeal does not meet the described symptoms, this bulletin does not apply. Continue with normal system troubleshooting.

Squeal from the Rear Brakes

Check if you hear a high-pitch squeal with light brake application at **15 mph** or less, and the ambient temperature is below **50°F**. The squeal should **not go away** when the brakes are warmed up after several stops.

- If the rear brakes are squealing, go to AFFECTED VEHICLES to see which group the vehicle is in.
 - Group A - Go to REPAIR PROCEDURE GROUP A to replace the rear pads only.
 - Group B - Go to REPAIR PROCEDURE GROUP B to replace the rear pads only.
- If the high-pitched squeal does not meet the described symptoms, this bulletin does not apply. Continue with normal system troubleshooting.

REPAIR PROCEDURE GROUP A

Front Brake Disc and Pad Replacement

NOTES

- Based on your inspection, you may have to repair both the front and rear brakes.
 - The 2019-20 RDX is equipped with FNC brake discs. These brake discs cannot be machined or refinished.
1. Replace the front brake discs and pads. Refer to the service information.

NOTE

Make sure to apply the M-77 assembly paste included in the front brake pad set.

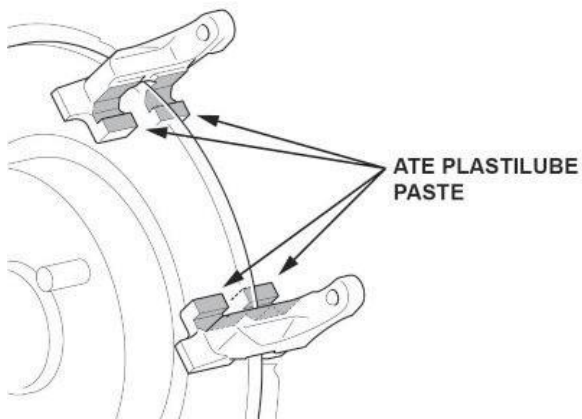
2. Make sure the brakes are cooled down, then test-drive the vehicle multiple times to make sure the squeal is gone. If the brakes still squeal, check the inspection procedure to see if the rear brake squeal symptoms apply.

Rear Brake Pad Replacement

1. Do the electric parking brake disengagement procedure, and replace the rear brake pads. Refer to the service information.

NOTES

- The 2019-20 RDX is equipped with FNC brake discs. These brake discs cannot be machined or refinished.
- Make sure to apply the ATE Plastilube paste included in the rear brake pad set.



2. Let the brakes cool down to ambient temperature, then test-drive the vehicle multiple times to make sure the squeal is gone. If the brakes still squeal, check the inspection procedure to see if the front brake squeal symptoms apply.

REPAIR PROCEDURE GROUP B

Front Pad Replacement

NOTES

- The 2019-20 RDX is equipped with FNC brake discs. These brake discs cannot be machined or refinished.
 - Based on your inspection, you may have to repair both the front and rear brakes.
1. Replace the front brake pads. Refer to the service information.

NOTE

Make sure to apply the M-77 assembly paste included in the front brake pad set.

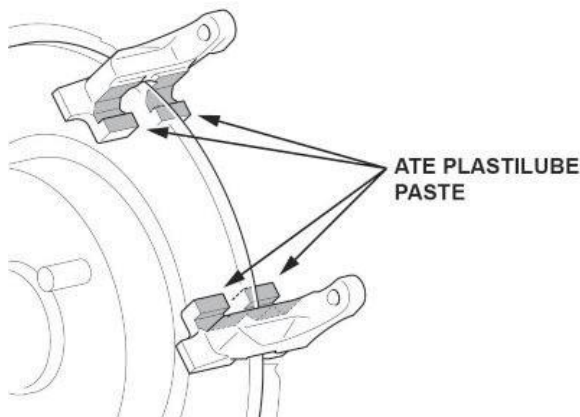
2. Make sure the brakes are cooled down, then test-drive the vehicle multiple times to make sure the squeal is gone. If the brakes still squeal, check the inspection procedure to see if the rear brake squeal symptoms apply.

Rear Brake Pad Replacement

1. Do the electric parking brake disengagement procedure, and replace the rear brake pads. Refer to the service information.

NOTES

- The 2019-20 RDX is equipped with FNC brake discs. These brake discs cannot be machined or refinished.
- Make sure to apply the ATE Plastilube paste included in the rear brake pad set.



2. Let the brakes cool down to ambient temperature, then test-drive the vehicle multiple times to make sure the squeal is gone. If the brakes still squeal, check the inspection procedure to see if the front brake squeal symptoms apply.

END