

# NEW DEFENDER - RAISED AIR INTAKE FASTENERS MISSING



NAS20.09.001

PARTS

CAN/USA

AFTERSALES BULLETIN

SEPTEMBER 3, 2020

**TO: all Land Rover Authorized Retailers**

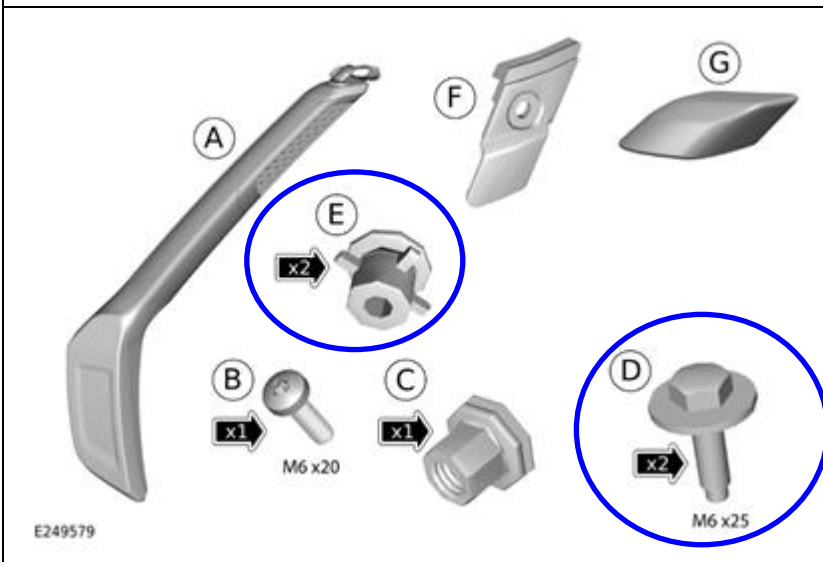
**RE: New Defender - Raised Air Intake Fasteners Missing**

Please be advised that a number of Air Intake Kits (VPLEP0435) for New Defender vehicles may not contain the correct quantity of fasteners. Kits have been reworked, but a small number may have been sent to retailers before this issue was identified. Reworked kits will have an 'X' on the green dot, while non-reworked kits will not.

### Re-worked ('X' over green dot)



### Not reworked (no 'X' over green dot)



### Kit Contents (required):

A - Raised Air Intake (1 required)

B - Screw M6x20 (1 required)

C - Rivet Nut M6x15 (1 required)

**D - Screw M6x25 (2 required)**  
LR132825 or T2H42792

**E - Jack Nut M6x20 (2 required)**  
ZKC2228 or T2R11411

F - Top A-Post fixing bracket (1 required)

G - Air Intake top cover (1 required)

**NOTE: If parts are missing, please contact the customer support team with the original order number and a photo of the kit box with the green dot. A credit for the missing components will be processed.**

If any kit has an incorrect quantity of fasteners 'D' and/or 'E', use the Land Rover or Jaguar part numbers indicated above for kit installation. Contact the customer support team with the original order number and a photo of the kit box with the green dot visible. A credit for the missing components will be processed.

We apologize for any inconvenience this may cause.

Land Rover North America Call Center:

888.577.8577 > Option 1 > Option 2 or [land\\_rover\\_na.call.center@neovialogistics.com](mailto:land_rover_na.call.center@neovialogistics.com)

Jaguar Land Rover North America, LLC  
100 Jaguar Land Rover Way  
Mahwah, NJ 07495