

JLRTB02055NAS1

**TECHNICAL BULLETIN**

04 SEP 2020



© Jaguar Land Rover North America, LLC

NOTE: The information in Technical Bulletins is intended for use by trained, professional Technicians with the knowledge, tools, and equipment required to do the job properly and safely. It informs these Technicians of conditions that may occur on some vehicles, or provides information that could assist in proper vehicle service. The procedures should not be performed by 'do-it-yourselfers'. If you are not a Retailer, do not assume that a condition described affects your vehicle. Contact an authorized Land Rover service facility to determine whether this bulletin applies to a specific vehicle.

**INFORMATION****SECTION:**

309-00

**SUBJECT/CONCERN:**

Non Start In Cold Ambient Temperatures

**AFFECTED VEHICLE RANGE:**

<b>MODEL:</b>	<b>MODEL YEAR:</b>	<b>VIN:</b>	<b>ASSEMBLY PLANT:</b>	<b>APPLICABILITY:</b>
Discovery Sport (LC)	2018 Onwards	685128 Onwards	Halewood	INGENIUM I4 2.0L Petrol
Discovery (LR)	2017-2019	000007-096502	Solihull	V6 S/C 3.0L Petrol
Discovery (LR)	2019 Onwards	400105 Onwards	Nitra (Slovakia)	V6 S/C 3.0L Petrol

**MARKETS:**

NORTH AMERICA

**CONDITION SUMMARY:**

**SITUATION:**

The vehicle will not start after being left over night in cold ambient air temperatures. Further investigation has found high levels of frozen liquid blocking the exhaust system.

**CAUSE:**

Water vapor formation, as a result of normal combustion, is being condensed and frozen over time.

**ACTION:**

Follow the instruction below.

**WARRANTY:**

**NOTES:**

- Repair procedures are under constant review, and therefore times are subject to change; those quoted here must be taken as guidance only. Use TOPIx to obtain the latest repair time.
- The JLR claims submission system requires the use of causal part numbers. Labor only claims must show the causal part number with a quantity of zero.

DESCRIPTION	SRO	TIME (HOURS)	CONDITION CODE	CAUSAL PART
JLRTB02055 - Exhaust system - Modification	99.01.26	0.2	69	LR126079

**NOTE:**

Normal Warranty procedures apply.

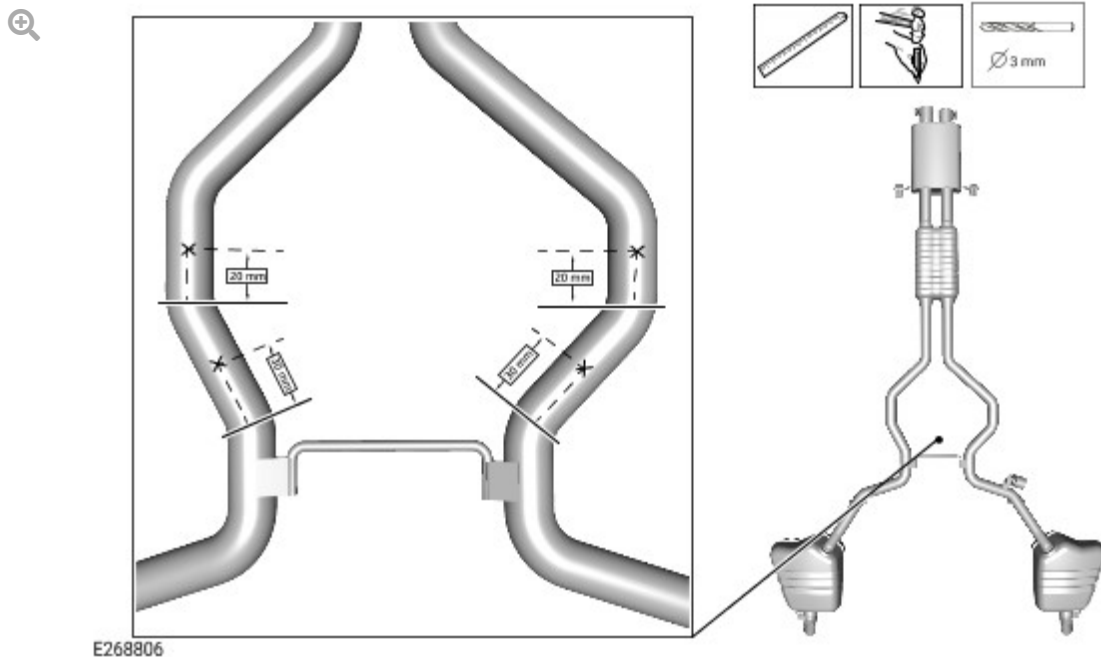
**SERVICE INFORMATION:**

1. Make sure the build up of ice in the exhaust system has defrosted before continuing to the 'Service Instruction' section by parking the vehicle in one of the following locations:
  - ■ A warm workshop.
  - ■ A heated bodyshop booth.

**SERVICE INSTRUCTION:****Discovery**

1. Raise and support the vehicle (see TOPIx Workshop Manual section 100-02: Jacking and Lifting - Description and Operation - Lifting).

2.



Use a suitable tool to measure each drilling position, shown in the illustration.

- ■ Use a center punch to mark each exact drilling position.
- ■ Slowly drill a 3 mm hole in each position and dispose of any metal filings.
- ■ Allow any liquid to drain out of the exhaust system.
- ■ Use a suitable tool to remove any sharp edges.

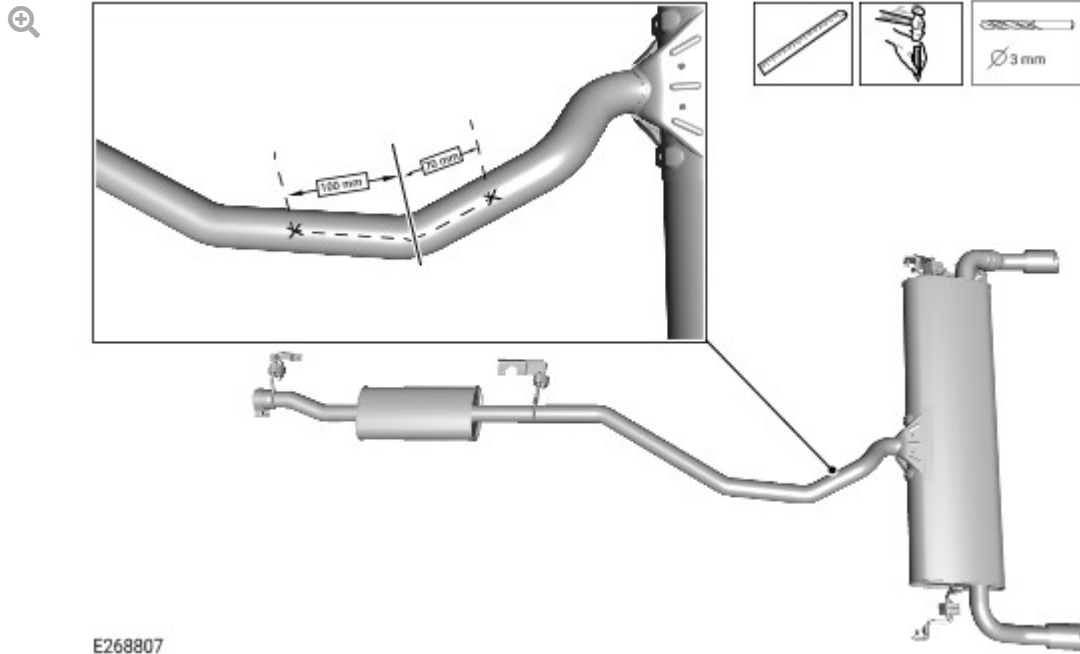
3. Lower the vehicle.

## Discovery Sport

---

4. Raise and support the vehicle (see TOPIx Workshop Manual section 100-02: Jacking and Lifting - Description and Operation - Lifting).
- 

5.



Use a suitable tool to measure each drilling position, shown in the illustration.

- ■ Use a center punch to mark each exact drilling position.
  - ■ Slowly drill a 3 mm hole in each position and dispose of any metal filings.
  - ■ Allow any liquid to drain out of the exhaust system.
  - ■ Use a suitable tool to remove any sharp edges.
- 
6. Lower the vehicle.