



**MAINTENANCE  
INFORMATION**

**MI20-13**

DATE :	September 2020	SECTION :	23 ACCESSORIES
SUBJECT :	<b>eMIRROR SIDE CAMERA SYSTEM ADJUSTMENT</b>		

First Release

**IMPORTANT NOTICE**  
*This modification is recommended by PrevoSt to increase your vehicle's performance. Note that no reimbursement will be awarded for carrying out this modification.*

**APPLICATION**

Model	VIN
H3-45 coaches Model Year : 2019 -	<p>From 2PCH33495<u>KC710186</u> up to today.</p>

**DESCRIPTION**

Use these instructions to adjust the side camera aiming.  
 To preserve water-tightness of the cover mount, replace single use rubber washers 5002203 on reassembly.

**MATERIAL**

Order the following parts:

Part No.	Description	Qty
5002203	WSH FL RUB .17X.5X.09 (M4,#8)	4
5002204	PLUG SNAPIN1 POL BK .625X8GA	A/R

**NOTE**  
*Material can be obtained through regular channels.*

## PROCEDURE



### DANGER

Park vehicle safely, apply parking brake, stop engine.

Lock out & Tag out (LOTO) must be performed during set-up, maintenance or repair activities. Refer to your local procedure for detailed information regarding the control of hazardous energy.

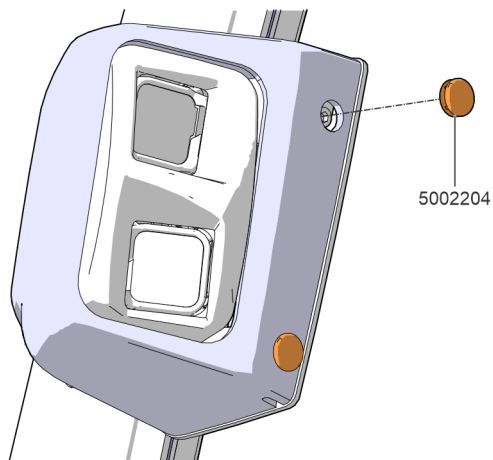


### CAUTION

*Do not use power tools for this procedure.*

1. Lay a straight line on the floor at the edge of the rear bumper perpendicular to the vehicle. Use a high contrast color. This is used to align the camera.

2. Remove the snap in plugs.



3. Remove mounting screws.

4. Discard single use rubber washer 5002203 replace with a new washer at re-assembly.

5. Keep hardware.

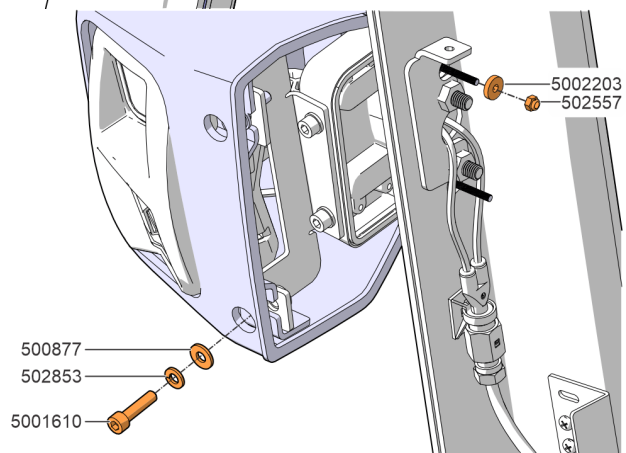


FIGURE 1

6. Remove tension on the M4 screws.
7. Confirm camera can move.

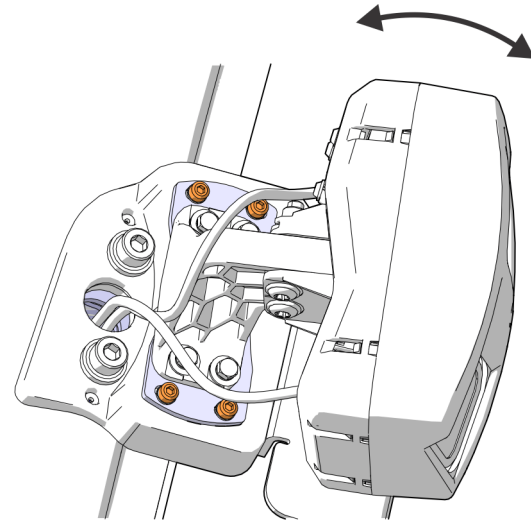


FIGURE 2

8. Ask a team member to check the red line on the screen while you adjust the camera.
9. Align the bumper line on the floor with the middle red line on the screen.
10. The yellow line indicates the drive axle.

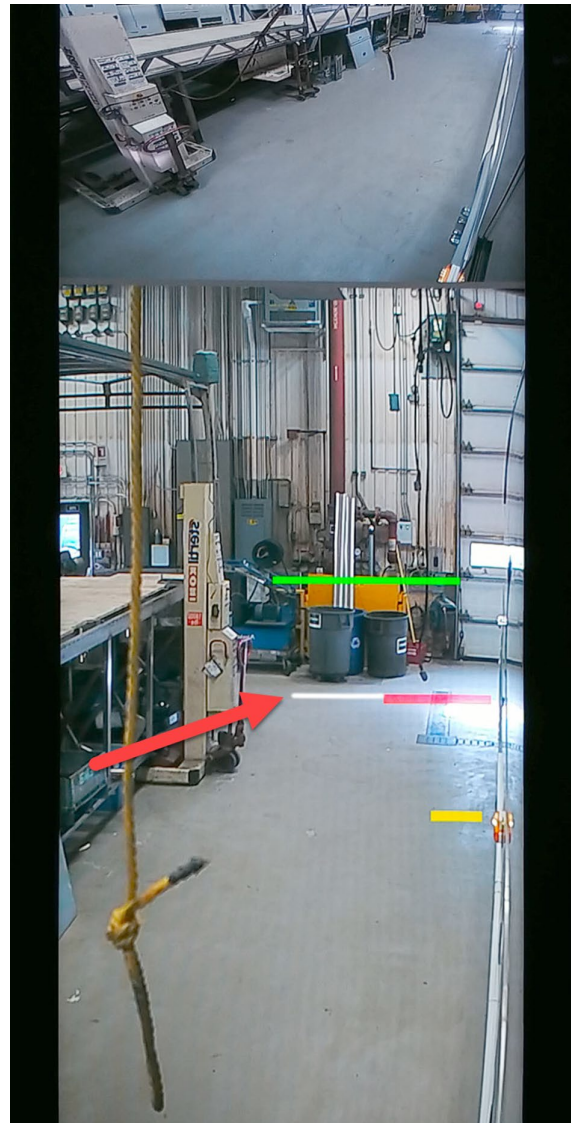


FIGURE 3

11. Hand tighten the M4 screws to preserve camera adjustment.
12. One screw at a time, apply Blue medium strength thread locker to the screws and re-tighten.
13. Confirm proper camera alignment is preserved.
14. Proceed to other camera and repeat adjustment procedure.

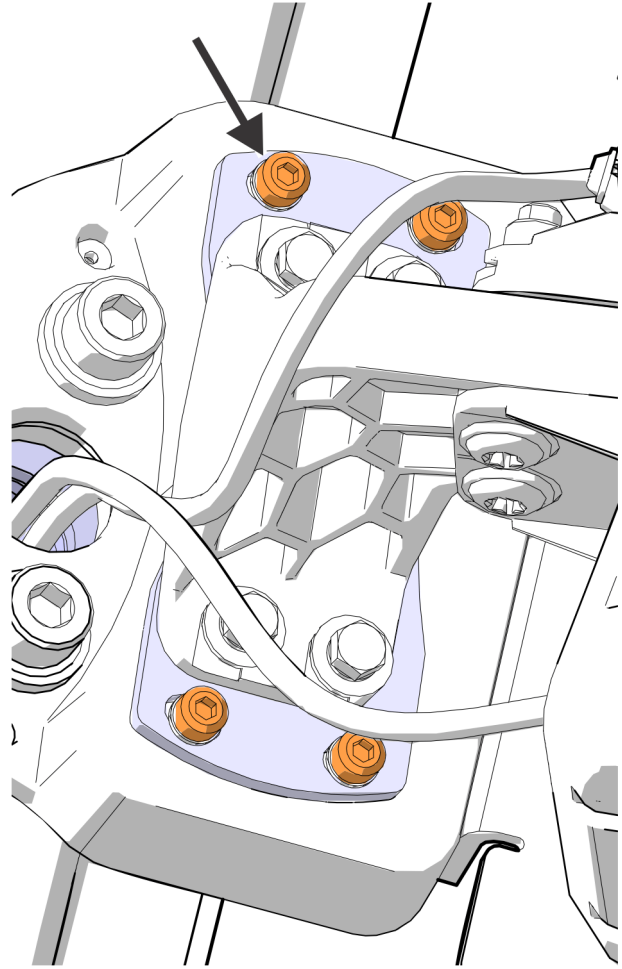
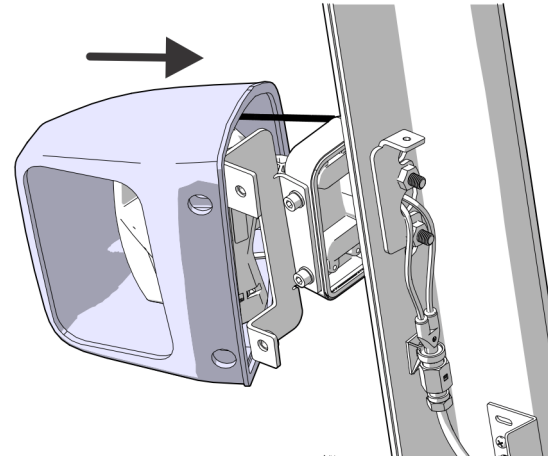


Figure 4

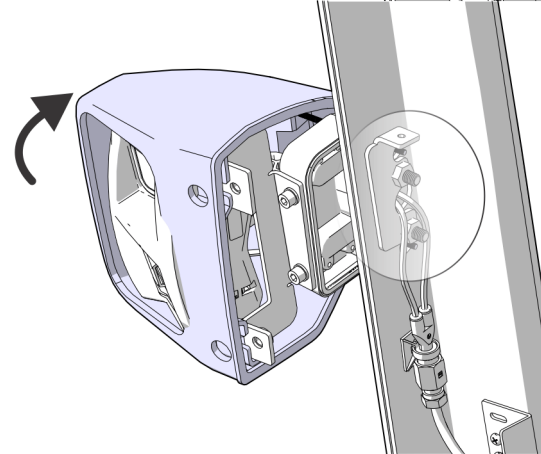
15. Once adjustment is complete, place the covers back on the cameras.

16. Present the cover at an angle, move the edge close to the window.



17. Rotate cover and slide threaded rods in

**Tip:** Use your fingers to align the threaded rods with the holes.



18. Push cover in gradually. Confirm it fits snugly on the vehicle body.

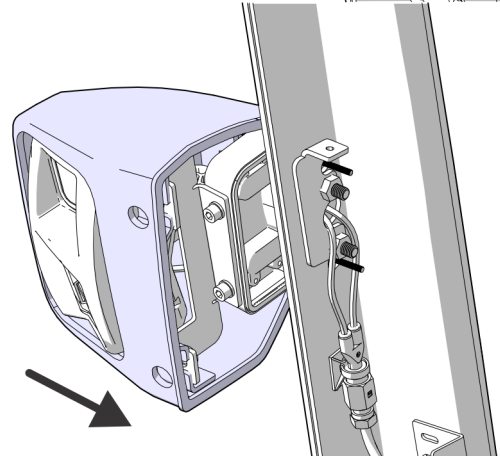


Figure 5

19. Hold the cover in place. Ask a colleague to install a new *single use* 5002203 rubber washer, flat washer and 502557 M4 nylon lock nut on the cover mounting studs.
20. Secure cover with 2X 5001610 M6 x 25mm socket head cap screw; 502853 lock washer, 500877 washer.

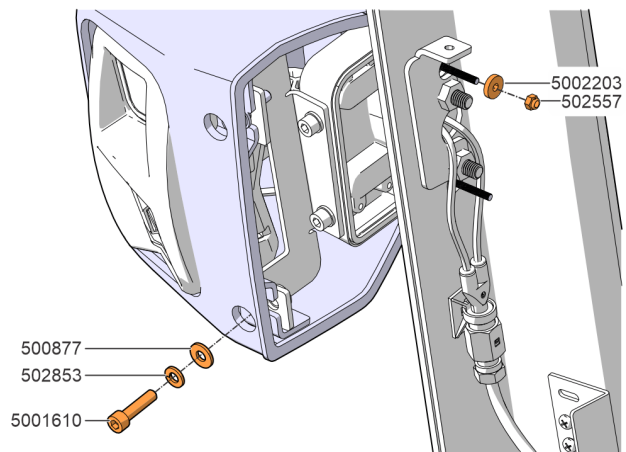


Figure 6

21. Replace any 5002204 snap in plugs damaged at removal with a new.

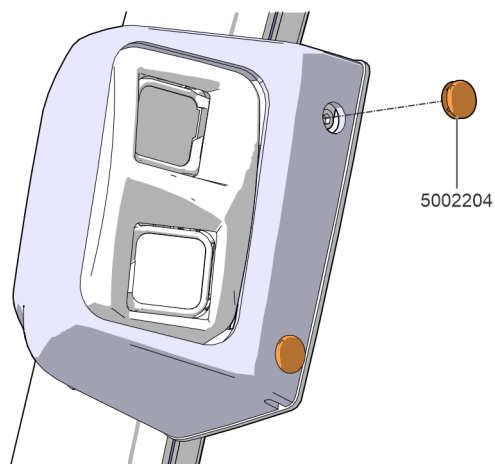


Figure 7

## PARTS / WASTE DISPOSAL

Discard according to applicable environmental regulations (Municipal/State[Prov.]/ Federal)

Access all our Service Bulletins on <http://techpub.prevostcar.com/en/>  
Or scan the QR-Code with your smart phone

Are you a Vehicle owner?  
E-mail us at [technicalpublications\\_prev@volvo.com](mailto:technicalpublications_prev@volvo.com) and type "ADD" in the subject to receive warranty bulletins applicable to your vehicle(s) by e-mail.

