



SIB 54 13 19

2020-08-11

FRONT ROLLER SUNSHADE LOOSE

This Service Information Bulletin (Revision 1) replaces SI B54 13 19 **dated November 2019**.

What's New (Specific text highlighted):

- Complete bulletin content except Situation and Cause

MODEL

E-Series	Model Description	Affected Option Code
G05	X5 Sports Activity Vehicle	With Alcantara headliner- either 776, or XD5 (Indiv.)
G06	X6 Sports Activity Coupe	"
G07	X7 Sports Activity Vehicle	"

SITUATION

The roller sunshade (aka sun protection or sunblind) of the front panoramic sunroof is bunching up during operation or may hang down and appear loose.

This bulletin only applies to vehicles with an Alcantara headliner.

CAUSE

The Alcantara material may be too thick to operate correctly in the panoramic sunroof frame.

CORRECTION

One or more of the following corrections may be required:

- Inspect the panoramic sunroof frame ID label
- Replace the roller sunshade
- Replace the panoramic sunroof frame
- Adjust tension of the roller sunshade

PROCEDURE

1. Completely open the roller sunshade.

2. Remove the FZD (Roof function center), following repair instructions REP 61 31 544 "Replace roof function center (FZD)".

3. With the FZD removed, inspect the "PHL" number on the ID sticker of the sunroof frame in the area shown.



- For vehicles **without option code 407** “Panoramic Sky Lounge LED Roof”:

Refer to the chart below for next steps:

G07:

**Lower than 63- Continue to step 4
63 or greater-Continue to step 5**

G05:

**Lower than 110- Continue to step 4
110 or greater-Continue to step 5**

G06:

**Lower than 34- Continue to step 4
34 or greater-Continue to step 5**

- For vehicles **with option code 407** “Panoramic Sky Lounge LED Roof”:

Refer to the chart below for next steps:

G07:

**Lower than 52- Continue to step 4
52 or greater-Continue to step 5**

G05:

**Lower than 75- Continue to step 4
75 or greater-Continue to step 5**

G06:

**Lower than 34- Continue to step 4
34 or greater-Continue to step 5**

4. Replace the complete sunroof frame following **REP 54 13 085 “Removing and installing/replacing the panorama glass roof”**, along with the roller sunshade following **REP 54 13 548 “Replacing roller sunblind”**

Reference **special notes on replacement sunshade**** below.**

5. Remove the roller sunshade, following repair instructions **REP 54 13 548 “Replacing roller sunblind”**.



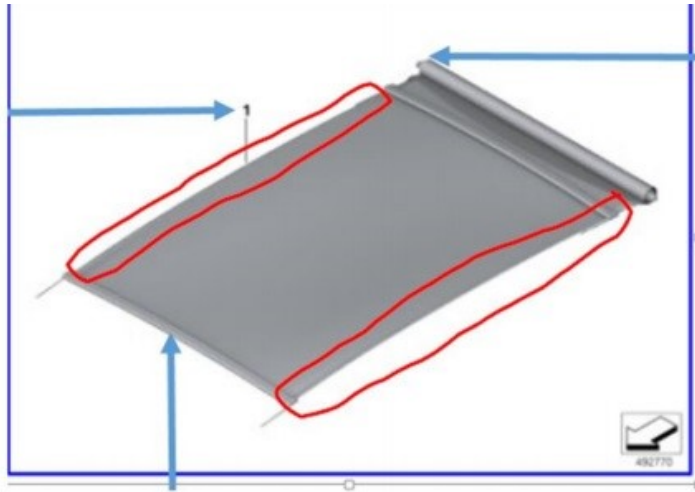
With the aid of a second person, hold the sunshade material tight against the reel so that it cannot unwind. Insert a 6 mm hex socket into the end of the sunshade. Remove the locking pin. **DO NOT ALLOW THE SHADE TO UNWIND.**

Turn the reel of the sunshade clockwise 5 complete revolutions as shown below.

Continue to hold the sunshade material tight enough so that it can't unwind. After 5 revolutions, insert the locking pin.

This will add additional spring tension to the roller sunshade.

6. Reinstall the sunshade. As you are installing the sunshade into the sunroof frame, lubricate the entire length of the white guide bands on both sides using Carbaflo KSP 105 P/N 83 23 0 309 627.



**** Special notes on sunshade****

Before installing a replacement sunshade, ensure that the “PHL” number printed on the ID sticker for the sunshade is 095-2 or higher.

Do not install a sunshade that is below PHL 095-2.

Note: Reference photo for location of ID sticker. Unrolling the sunshade is not required to perform the inspection.



PARTS INFORMATION

Obtain and confirm the part numbers for your specific vehicle by entering the chassis number in either ETK or AIR which takes into account specific equipment and/or options.

Part Number:	Description:	Quantity:
83 23 0 309 627.	Carbaflo KSP 105 (50 g)	As needed in sublet
Only if necessary:		
Refer to ETK/AIR	Roller sunblind	1
Refer to ETK/AIR	Frame Panoramic roof	1 if necessary
Refer to ETK/AIR	Screw for glass slide/tilt sunroof panel	10

WARRANTY INFORMATION

Covered under the terms of the BMW New Vehicle Limited Warranty for Passenger Cars and Light Trucks.

Defect Code:	5412052900	Sliding headliner/roller sunblind jammed/stuck
---------------------	-------------------	---

Winding and lubricating roller sunshade

Labor Operation	Description	Labor Allowance
51 44 013	Remove and install headlining (Main work)	Refer to AIR
Or:		
51 44 513	Remove and install headlining (Plus work)	Refer to AIR
And:		
54 13 548	Replace roller sunblind (headliner removed)	Refer to AIR
And:		
54 99 000	Work time to adjust tension and lubricate sunshade	3 FRU

If you are using a Main labor code for another repair, use the Plus code labor operation 51 44 513 instead of 51 44 013.

Or:

Replacing the Panorama Glass Roof and the Roller Sunblind

Labor Operation	Description	Labor Allowance
54 13 085	Removing and installing/replacing the panorama glass roof (includes remove and install headlining) (Main work)	Refer to AIR
Or:		
54 13 585	Removing and installing/replacing the panorama glass roof (includes remove and install headlining) (Plus work)	Refer to AIR
And, if applicable:		
54 13 900	Additional work: Panorama glass Skylounge (if equipped)	Refer to AIR
And:		
54 00 001	Work time to measure width of the guide rail	1 FRU
And:		
54 13 548	Replace roller sunblind (headliner removed)	Refer to AIR

If you are using a Main labor code for another repair, use the Plus code labor operation 54 13 585 instead of 54 13 085.

Refer to AIR for the corresponding flat rate unit (FRU) allowances.

Work time labor operation codes 54 99 000 and 54 00 001 are not considered Main labor operations.

As applicable to your center, please refer to **SI B01 01 20** or **B01 07 20** for claiming your diagnosis work time, job/repair work time (WT), WT and repair-related explanation procedures.

And, as needed:

Sublet – Bulk Materials (RO and Claim Comments Required)

Sublet Code 4	See the sublet reimbursement calculations below	Reimbursement for the repair-related bulk materials (Do not use the BMW part numbers for claim submission)
-------------------------	---	--

Sublet reimbursement calculation for claiming the applicable repair-related bulk material (BMW part numbers) is at the dealer net price amount for the quantity used plus your center's handling.

Enter this material cost in sublet and itemize the amount on the repair order and in claim comment section.

QUESTIONS REGARDING THIS BULLETIN

Technical inquires	Submit feedback at the top of this bulletin
Warranty inquires	Submit an IDS ticket to the Warranty Department
Parts inquiries	Submit an IDS ticket to the Parts Department