



# SERVICE BULLETIN

Classification: EM20-005	Reference: NTB20-057	Date: August 10, 2020
-----------------------------	-------------------------	--------------------------

## VK56 CONNECTING ROD CAP BOLT SERVICE INFORMATION

**APPLIED VEHICLES:** 2004–2019 Armada (TA60/Y62)  
 2012–2019 NV (F80)  
 2008-2012 Pathfinder (R51)  
 2004–2019 Titan/Titan XD (A60/A61)

**APPLIED ENGINE:** VK56

### SERVICE INFORMATION

A change has been made to the connecting rod cap bolt service part. The new service part (B in Figure 1) is visually different, but is a direct replacement for the original equipment part.

**IMPORTANT: See page 2 for the procedure to inspect the cap bolt service part for excessive stretch.**

If replacement of a single connecting rod cap bolt is indicated for any given connecting rod, both connecting rod cap bolts of the affected connecting rod must be replaced as a set.

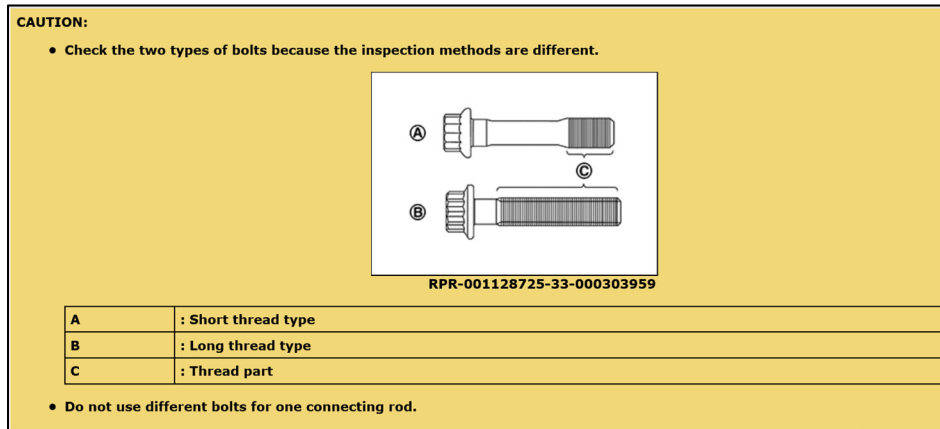


Figure 1

Nissan Bulletins are intended for use by qualified technicians, not 'do-it-yourselfers'. Qualified technicians are properly trained individuals who have the equipment, tools, safety instruction, and know-how to do a job properly and safely. **NOTE:** If you believe that a described condition may apply to a particular vehicle, DO NOT assume that it does. See your Nissan dealer to determine if this applies to your vehicle.

## SERVICE PROCEDURE

### Connecting Rod Cap Bolt Inspection

The following measurements are to be used when inspecting the service part for reuse.

- Measure the outer diameter at location (A) and location (B) shown in Figure 2.

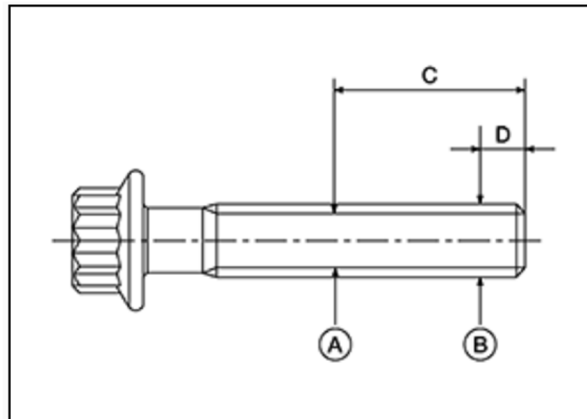


Figure 2

C	: 19 mm (0.75 in)
D	: 5 mm (0.20 in)

- Subtract (A) from (B).  
*Limit [(B) – (A)] : 0.15 mm (0.0059 in)*
- If it exceeds the limit (large difference in dimensions), replace the bolt with a new one.

### Connecting Rod Cap Bolt Torque Procedure

Tighten each connecting rod cap bolt as follows:

1. Apply engine oil to the threads and seats of the connecting rod cap bolts.
2. Tighten the connecting rod cap bolts to 29.4 N•m (3.0 kg-m, 21.7 ft-lb).
3. Loosen to 0 N•m (0 kg-m, 0 ft-lb).
4. Tighten the connecting rod cap bolts to 19.6 N•m (2.0 kg-m, 14.5 ft-lb).
5. Tighten 90° (+5°/-0°).

## PARTS INFORMATION

DESCRIPTION	PART NUMBER	QUANTITY
Connecting Rod Cap Bolt	12109-1LA0B	As needed (1)

(1) Two (2) bolts are required for each connecting rod.

## AMENDMENT HISTORY

PUBLISHED DATE	REFERENCE	DESCRIPTION
August 10, 2020	NTB20-057	Original bulletin published

