

STAR ONLINE PUBLICATION

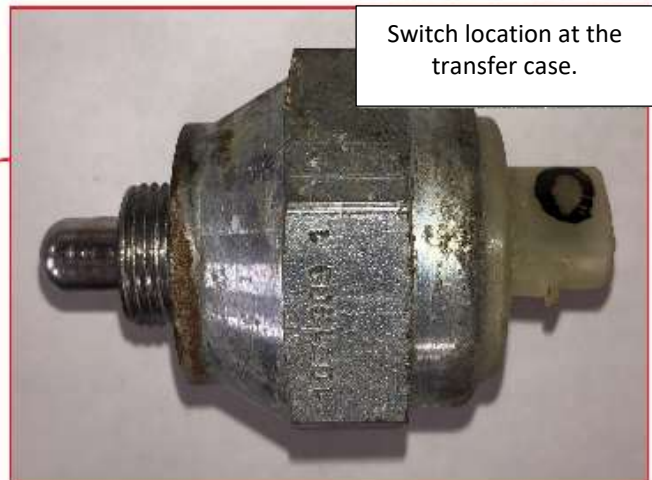
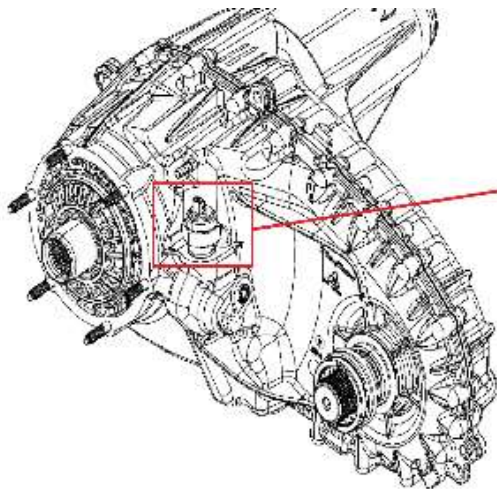
Case Number: S2008000111

Release Date: 07/29/2020

Symptom/Vehicle Issue: Cluster Displays Message 4X4 Shift In Progress

Customer Complaint/ Technician Observation: Owner complains at times intermittently the cluster is displaying a message of 4x4 shift in progress. Technician may not be able to duplicate the concern, the scan tool has stored DTC's U0403, U1440 Implausible Data Received From Transfer Case.

Repair Procedure: Technician confirmed without movement of the selector, an occasional 4x4 message in the EVIC; 4x4 shift in progress. Test the resistance of the switch at the various positions as shown below pg 1, 2. Replace switch as needed to complete.



Pg 1

This document does not authorize warranty repairs. This communication documents a record of past experiences. STAR Online does not provide any conclusions about what is wrong with the vehicle. Rather, it captures all previous cases known that appear to be similar or related to the vehicle symptom / condition. You are the expert, and you are responsible for deciding on the appropriate course of action.

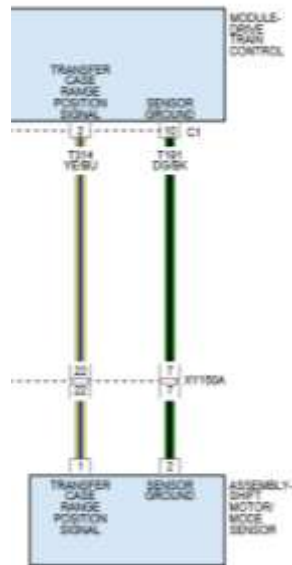
Contact STAR Center, or your Technical Assistance Center Via TechCONNECT or eCONTACT ticket if no solution is found

STAR ONLINE PUBLICATION

Good Readings				
59.7 - 61.0	208.7-212.5	406.2-414.5	677.5 -691.2	1171.5 -1185.5

P1 P2 P3 P4 P5

Bad unit as measured				
60.8	60.8	210.7	410.8	0686



Pg2

This document does not authorize warranty repairs. This communication documents a record of past experiences. STAR Online does not provide any conclusions about what is wrong with the vehicle. Rather, it captures all previous cases known that appear to be similar or related to the vehicle symptom / condition. You are the expert, and you are responsible for deciding on the appropriate course of action.

Contact STAR Center, or your Technical Assistance Center Via TechCONNECT or eCONTACT ticket if no solution is found