

07/30/2020  
CAL WST 46-002

## **Subject: Torque Validation of Steering Wheel Mounting Bracket Bolts**

**Models Affected: Specific Western Star 4700 & 4900 vehicles  
manufactured at the Portland plant from July 9, 2020 through July  
20, 2020**

Our records indicate that you are the owner of certain Western Star vehicles and therefore DTNA has decided to share the following documentation with you.

Western Star 4700 & 4900 vehicles equipped with a certain steering wheel mounting bracket bolt installation may have a low torque value setting.

Normal warranty applies for those vehicles where this letter is applicable. When submitting warranty claims, refer to Customer Advisory Letter CA-46002 in the repair description field on the claim.

07/30/2020  
CAL WST 46-002

## Work Instructions

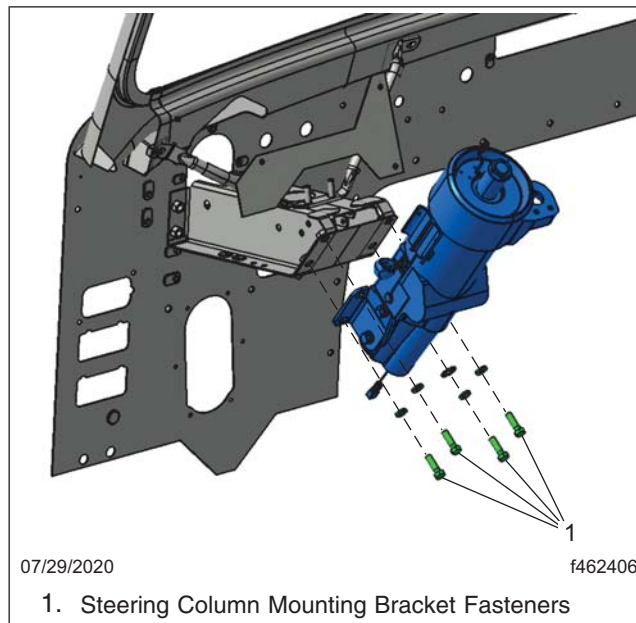
### Subject: Torque Validation of Steering Wheel Mounting Bracket Bolts

**Models Affected:** Specific Western Star 4700 & 4900 vehicles manufactured at the Portland plant from July 9, 2020 through July 20, 2020

## Work Instructions

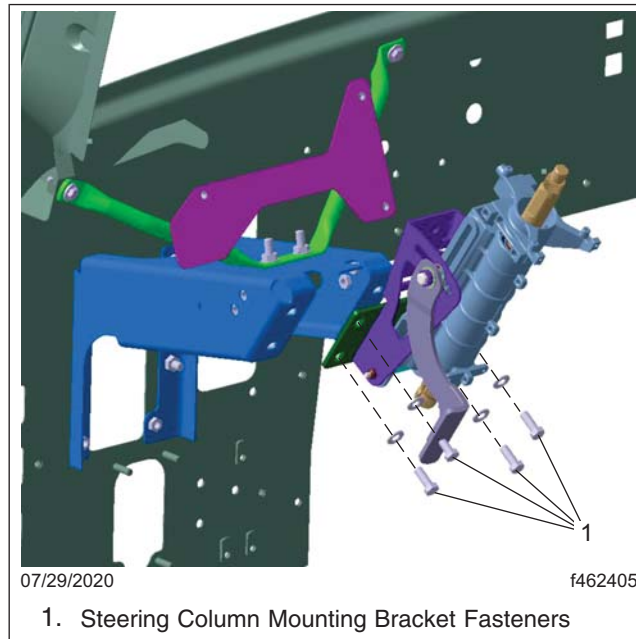
**IMPORTANT:** DTNA is requesting that you verify that the torque value is correct on the bolts for the steering wheel mounting bracket and, if any are under-torqued, that you re-torqued them to the correct value.

1. Park the vehicle on a level surface. Make sure the front tires are pointing forward. Apply the parking brakes. Shut down the engine. Chock the tires.
2. Remove the steering column kick panel.
3. Locate the steering column mounting bracket bolts below the steering wheel. See [Fig. 1](#) for Western Star 4900 vehicles. See [Fig. 2](#) for Western Star 4700 vehicles.



**Fig. 1, Location of Steering Column Mounting Bracket Bolts on Western Star 4900 Vehicles**

07/30/2020  
CAL WST 46-002



**Fig. 2, Location of Steering Column Mounting Bracket Bolts on Western Star 4700 Vehicles**

4. Verify if the mounting bracket bolts have a torque value of 26 lbs-ft (35 N-m). If this is not the value, torque the bolts to this value.
5. Apply torque seal to the bolt heads.
6. Install the steering column kick panel.