

Insufficient Remote Control Range: Installing a Modified Antenna

Vehicle Type: **Cayenne/Cayenne S/Cayenne Turbo**

Model Year: **As of 2003 up to 2005**

Country/Market: **USA**

Concerns: **- Antenna for radio remote control,
- Workshop campaign W540: Replacing remote control of main vehicle keys.**

Information: **Insufficient remote control range.**

The antenna for remote control operation has been changed as of the vehicle identification numbers listed below. In the event of a complaint, the following applies for vehicles whose identification numbers come **before** the specified identification numbers:



Information

In the event of a complaint, check whether **Workshop campaign W540** "Replacing remote control of main vehicle keys" was performed on the affected vehicle.

If not: **Only** carry out Workshop campaign W540 - do **not** implement the action described below.

If the workshop campaign was already carried out on the vehicle and the customer is still complaining about the remote control range, implement the action described below (= replace antenna) on vehicles manufactured before the specified date of introduction.

Date of Introduction: December 6, 2004 as of the following VINs:
9P8 5LA 23401 Cay V6
9P4 5LA 64184 Cay S
9P0 5LA 91542 Cay Turbo

Action Required: Replace antenna for radio remote control. This involves replacing the wire harness routed through the headliner and rear spoiler.

Work Procedure: Removing and installing the wire harness, see ⇒ from Page 2 onwards as an enclosure to this Technical Information: Extract from Workshop Manual ⇒ 'Removing and installing antenna lines for remote control'.

Parts Info: ⇒ **000.043.206.66** Wire harness for rear window, right <- MY 04
⇒ **955.612.807.10** Wire harness for rear window, right, MY 05 ->

Working Time: 97671942: Removing and installing wire harness for rear spoiler on the right

Labor time: **330 TU**

Enclosure: Extract from Workshop Manual ⇒ 'Removing and installing antenna lines for remote control'.

Removing and installing antenna lines for remote control

Preliminary work for antenna leads for right and left rear spoiler up to the connection point

- 1 Remove headliner ⇒ *Workshop Manual '708419 Removing and installing headliner - chapter on "Removing"*.
- 2 Remove top half of rear spoiler. ⇒ *Workshop Manual '665819 Removing and installing rear spoiler - chapter on "Removing"*

Removing the antenna lines in the right rear spoiler up to the connection point

NOTICE

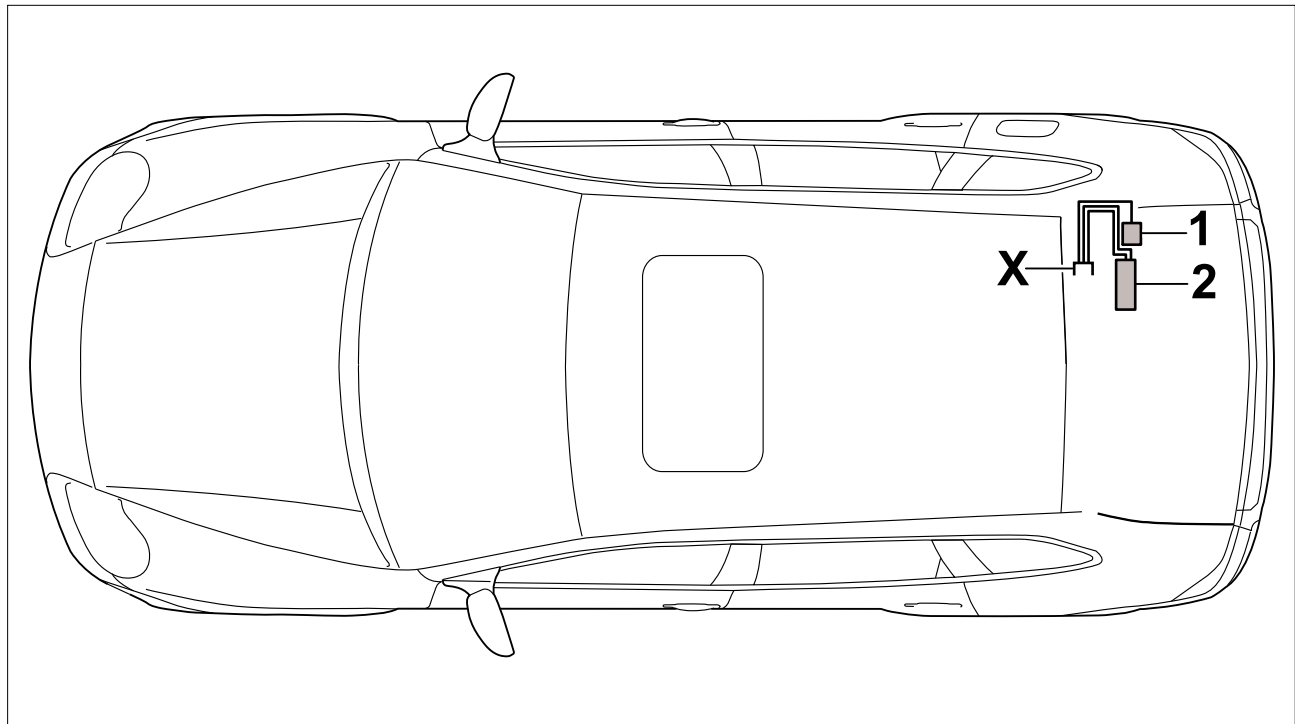
Voltage peaks

- Risk of damage to load or to the control unit
- ⇒ Remove the ignition key and switch off load before disconnecting or removing load.



Information

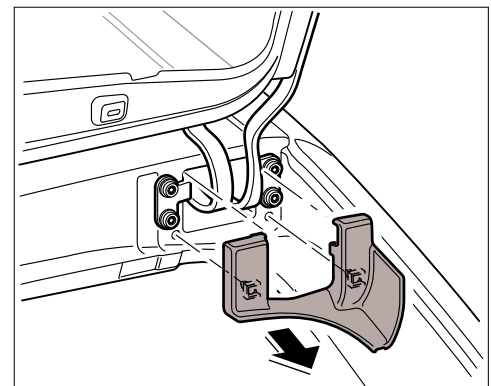
- On vehicles up to model year 2004 the water line for the rear window washer is located in the right antenna lead set.
- On vehicles as of model year 2005 the water line for the rear window washer is located in the left antenna lead set.
- The procedure is described on the left side.



Overview of antenna lines in right rear spoiler

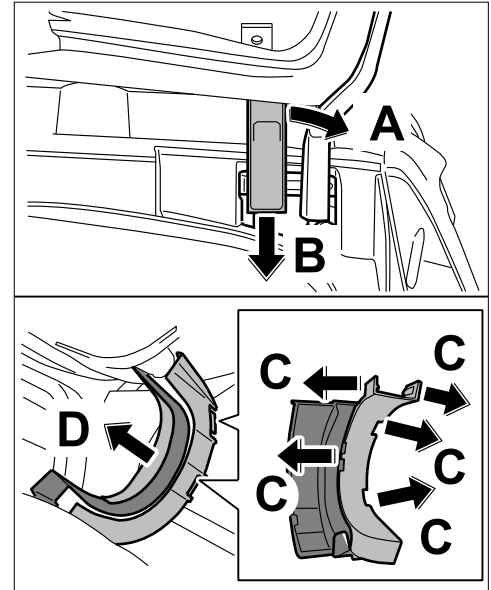
- 1 – Kessy antenna
- 2 – Right antenna amplifier control unit
- X – Connection point for antenna lines in right rear spoiler

- 3 Insert a plastic wedge between the body and hinge cover on the right and carefully unclip and take off the hinge cover.



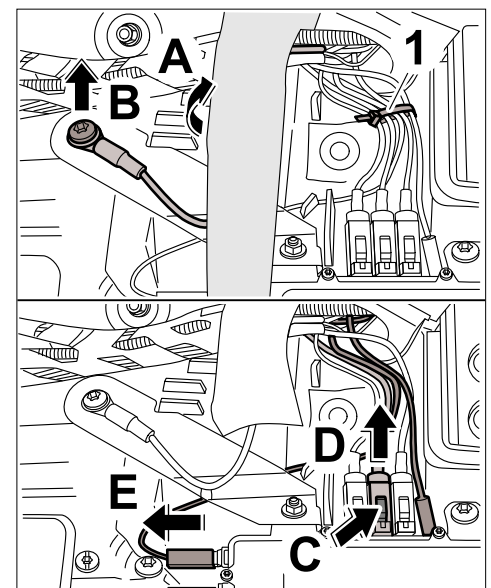
Removing right hinge cover

- 4 Release wiring duct ⇒ *Removing right wiring duct -arrow A-* and remove it from hinge
⇒ *Removing right wiring duct -arrow B-*.



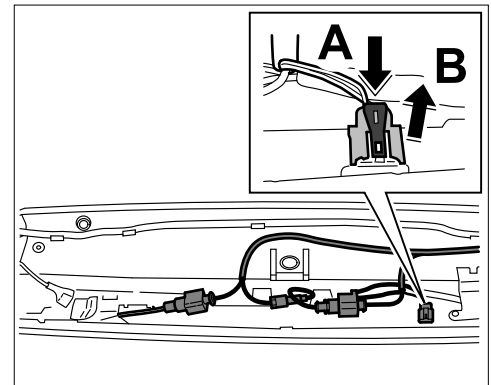
Removing right wiring duct

- 5 Release cover for the hinge ⇒ *Removing right wiring duct -arrows C-*, take it off ⇒ *Removing right wiring duct -arrow D-* and remove wiring duct from wire harness.
- 6 Loosen the adhesive tape for the fixing device of the lines ⇒ *Loosening ground straps and adhesive tape, pulling off connector -arrow A-* and remove the tie-wrap ⇒ *Loosening ground straps and adhesive tape, pulling off connector -1-*.



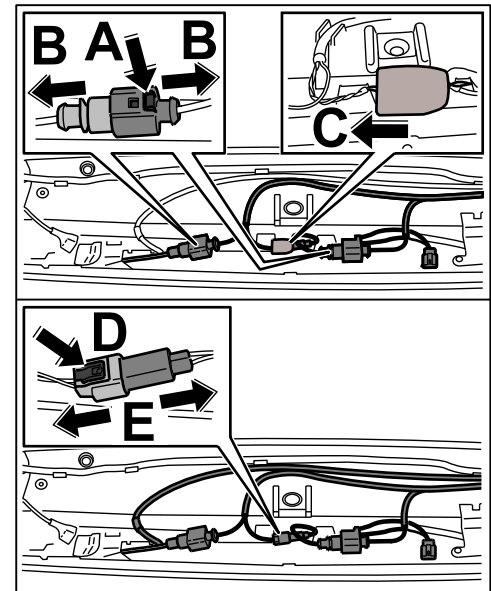
Loosening ground straps and adhesive tape, pulling off connector

- 7 Unscrew the fastening screw ⇒ *Loosening ground straps and adhesive tape, pulling off connector -arrows B-* for the ground strap and take out the ground strap.
- 8 Release black connector on right antenna amplifier ⇒ *Loosening ground straps and adhesive tape, pulling off connector -arrow C-* and pull it off ⇒ *Loosening ground straps and adhesive tape, pulling off connector -arrow D-*.
- 9 Pull off connector on red connection of right antenna amplifier ⇒ *Loosening ground straps and adhesive tape, pulling off connector -arrow E-*.
- 10 Release connector on brake light ⇒ *Pulling off brake light connector -arrow A-* and pull it off ⇒ *Pulling off brake light connector -arrow B-*.



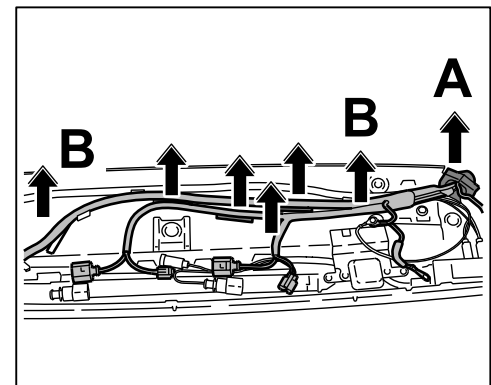
Pulling off brake light connector

- 11 Release plug connections to rear window heater ⇒ *Disconnecting plug connections, pulling off Styrofoam element -arrow A-* and disconnect ⇒ *Disconnecting plug connections, pulling off Styrofoam element -arrows B-*.



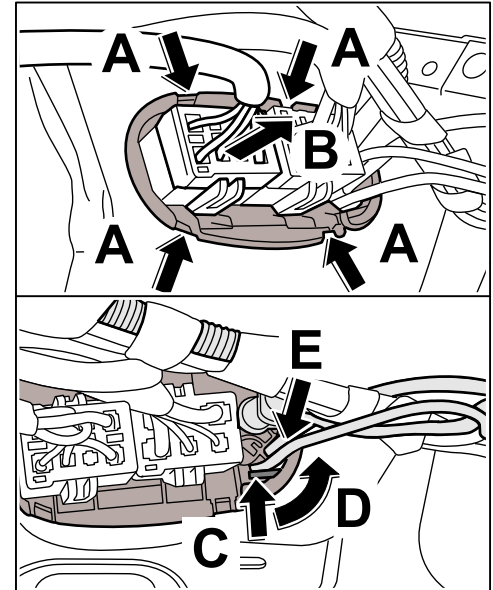
Disconnecting plug connections, pulling off Styrofoam element

- 12 Pull off Styrofoam element from plug connection to rear window antenna ⇒ *Disconnecting plug connections, pulling off Styrofoam element -arrow C-*.
- 13 Release plug connection to rear window antenna ⇒ *Disconnecting plug connections, pulling off Styrofoam element -arrow D-* and disconnect it ⇒ *Disconnecting plug connections, pulling off Styrofoam element -arrows E-*.
- 14 Remove the rubber sleeve from the rear spoiler ⇒ *Loosening wire harness -arrow A-* and take out the wire harness from the Velcro strip sections ⇒ *Loosening wire harness -arrows B-* and remove it.



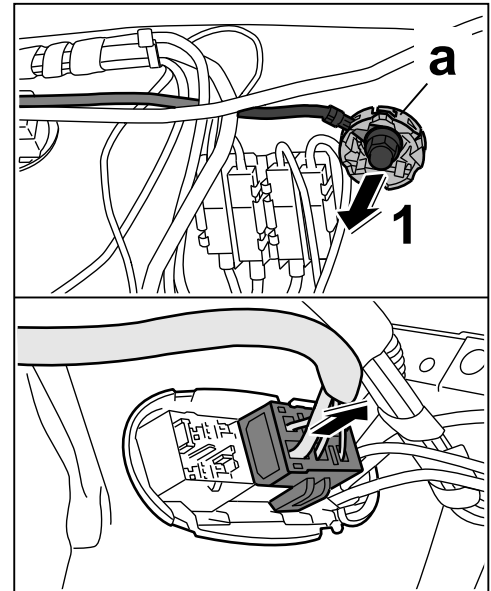
Loosening wire harness

- 15 Release the support for the socket on the rear right roof frame ⇒ *Releasing the socket -arrows A* and take out ⇒ *Releasing the socket -arrow B-*.



Releasing the socket

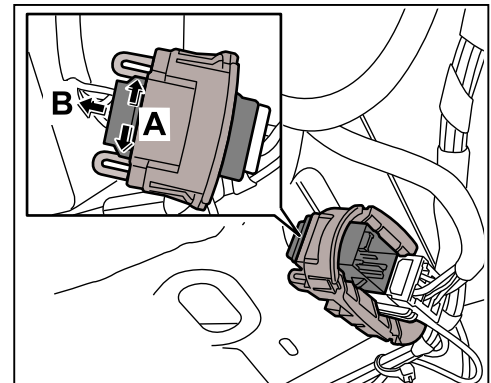
- 16 Release the support for the wire harness socket for the right rear spoiler ⇒ *Releasing the socket -arrow C-*, open it up ⇒ *Releasing the socket -arrow D-* and take out the lines ⇒ *Releasing the socket -arrow E-*.
- 17 Unscrew the fastening nuts ⇒ *Unscrewing ground strap and pulling off connector -1-* and take out the ground strap with the twist lock ⇒ *Unscrewing ground strap and pulling off connector -a-* from the ground pin.



*Unscrewing ground strap and
pulling off connector*

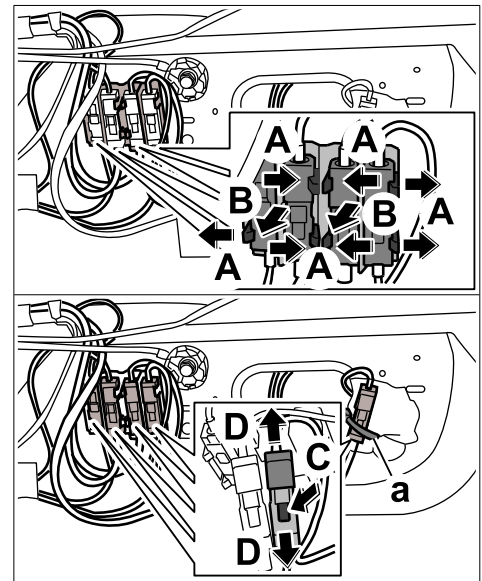
18 Pull off the connector.

19 Release the socket ⇒ *Pulling out socket -arrows A-* and pull it out ⇒ *Pulling out socket -arrow B-*.



Pulling out socket

20 Cut tie-wrap ⇒ *Unlocking plug connections -a-*.



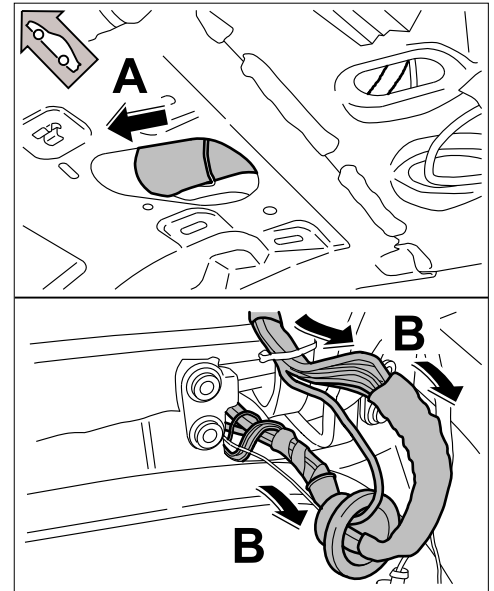
Unlocking plug connections



Information

- The number of antenna connectors can vary, depending on the vehicle equipment.

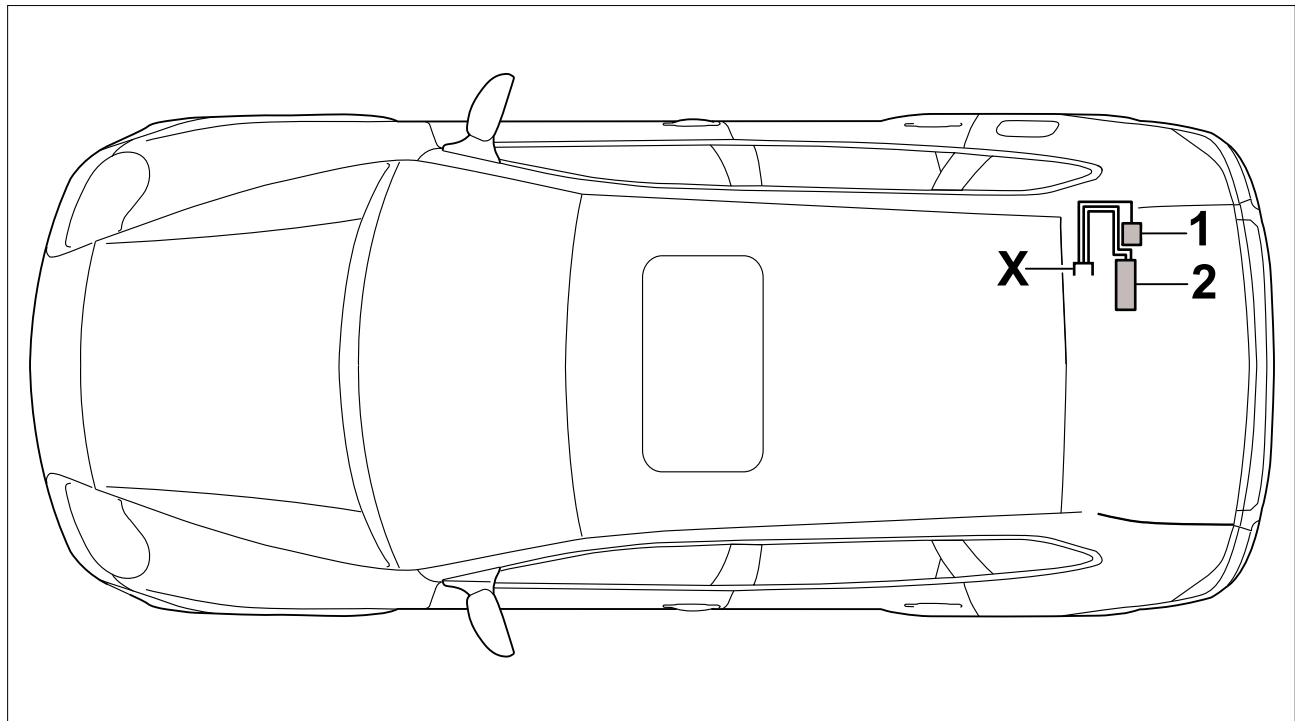
- 21 Release bracket ⇒ *Unlocking plug connections -arrows A-* and remove the plug connections ⇒ *Unlocking plug connections -arrows B-*.
- 22 Release the plug connections ⇒ *Unlocking plug connections -arrow C-* and separate ⇒ *Unlocking plug connections -arrows D-*.
- 23 Press out the rubber sleeve in the direction of the right hinge ⇒ *Pulling out wire harness -arrow A-*.



Pulling out wire harness

- 24 Remove the wire harness on the right hinge to the rear from the rear spoiler and rear roof frame ⇒
Pulling out wire harness -arrows B-.

Installing the antenna leads in the right rear spoiler up to the connection point



Overview of antenna leads in right rear spoiler

- 1** – Kessy antenna
- 2** – Right antenna amplifier control unit
- X** – Connection point for antenna leads in right rear spoiler



Information

- The number of antenna connectors can vary, depending on the vehicle equipment.



Information

- On vehicles up to model year 2004 the water line for the rear window washer is located in the right antenna lead set.
- On vehicles as of model year 2005 the water line for the rear window washer is located in the left antenna lead set.
- The procedure is described on the left side.

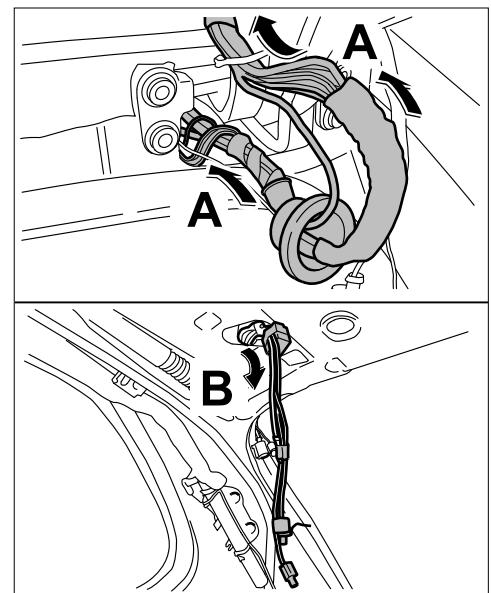
**Information**

- When installing the wire harness, make sure the insulation of the line is not damaged.

**Information**

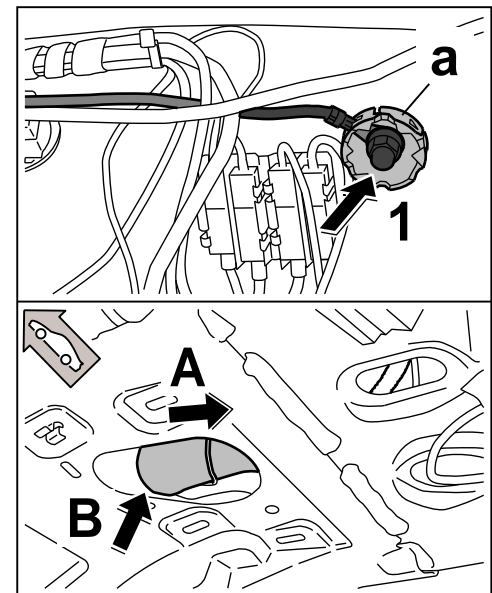
- The line must run over the pneumatic spring for the rear lid.

- 25 Push the wire harness for the right rear spoiler along the hinge on the right into the passenger compartment and to the rear spoiler ⇒ *Laying wiring harness -Arrows A-*.



Laying wiring harness

- 26 Pull out the wire harness through the body, roof frame opening ⇒ *Laying wiring harness -Arrow A-* downward ⇒ *Laying wiring harness -Arrow B-*. If necessary, push lead from the outside.
- 27 Pull in rubber sleeve ⇒ *Screwing down ground strap -Arrow A-* until it is felt to engage in opening ⇒ *Screwing down ground strap -Arrow B-*.



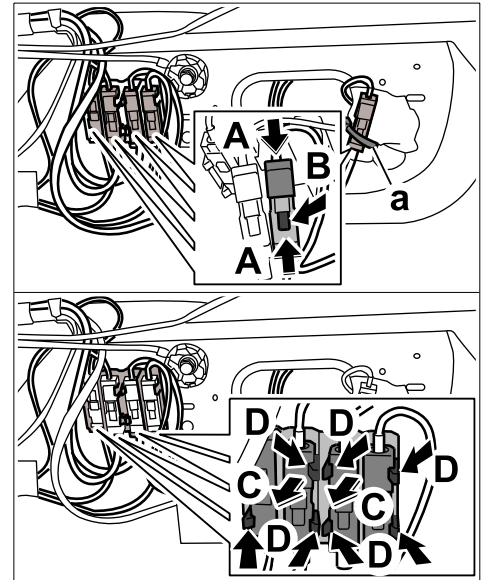
Screwing down ground strap

- 28 Push on the ground strap with the twist lock ⇒ *Screwing down ground strap -a-* onto the ground pin and screw down the fastening nut ⇒ *Screwing down ground strap -1-*. **Tightening torque 9 Nm (6.5 ftlb.)**



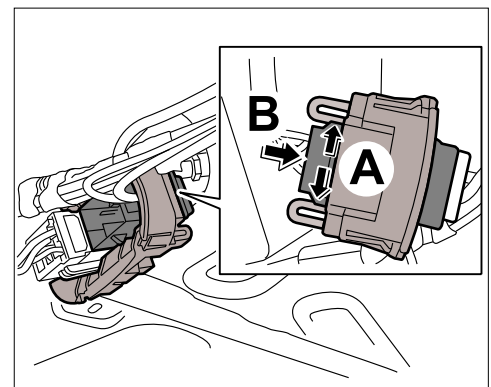
Information

- When installing the wire harness, make sure the insulation of the line is not damaged.
- 29 Push the connectors of the antenna leads in the sockets of the same color ⇒ *Connecting the connector for the antenna leads -Arrows A-* until the connectors ⇒ *Connecting the connector for the antenna leads -Arrow B-* are felt to engage.



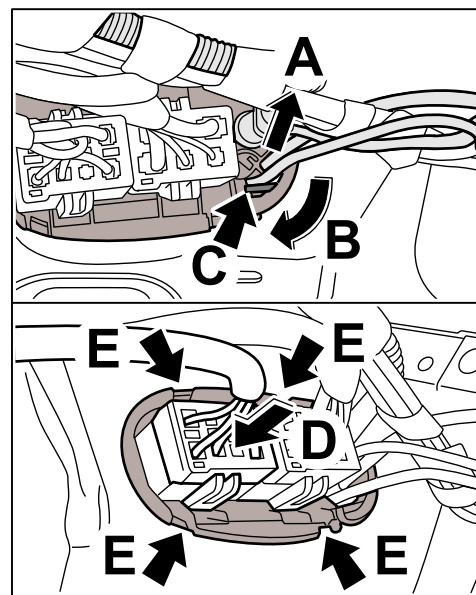
Connecting the connector for
the antenna leads

- 30 Fasten line with a new tie-wrap ⇒ *Connecting the connector for the antenna leads -a-*.
- 31 Press the plug connection for the antenna leads into the bracket ⇒ *Connecting the connector for the antenna leads -Arrows C-* until the lugs ⇒ *Connecting the connector for the antenna leads -Arrows D-* are felt to engage.
- 32 Push socket into socket support ⇒ *Installing socket -Arrow B-* until locking tabs ⇒ *Installing socket -Arrows A-* are felt to engage.



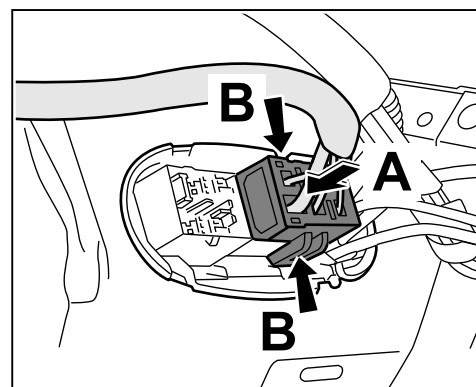
Installing socket

- 33 Insert the lines for the right rear spoiler to the right rear roof frame in the support for the sockets ⇒ *Inserting the socket supports -Arrow A-*.



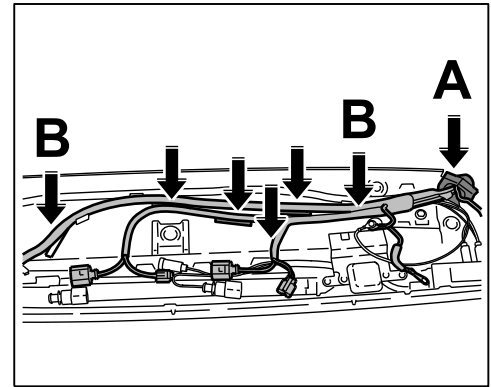
Inserting the socket supports

- 34 Close the support ⇒ *Inserting the socket supports -Arrow B-* until the locking tab ⇒ *Inserting the socket supports -Arrow C-* is felt to engage.
- 35 Press in the connector for the socket ⇒ *Inserting the socket supports -Arrow D-*, until the lugs ⇒ *Inserting the socket supports -Arrows E-* are felt to engage.
- 36 Insert the connector on the right rear roof frame ⇒ *Inserting the connectors -Arrow A-*, until the lugs ⇒ *Inserting the connectors -Arrows B-* are felt to engage.



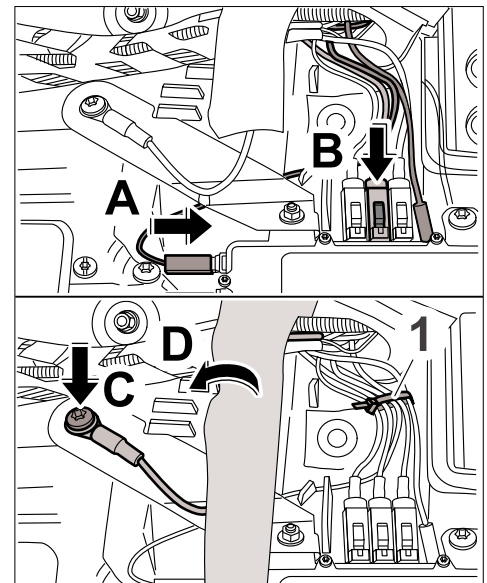
Inserting the connectors

- 37 Coat the rubber sleeve with soap suds and press into the rear spoiler ⇒ *Installing wire harness in rear spoiler -Arrow A-*.



Installing wire harness in rear spoiler

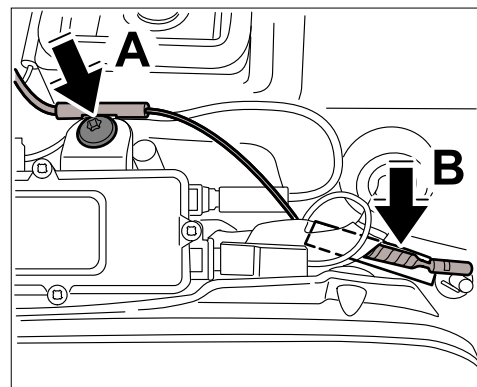
- 38 Position wire harness in rear spoiler and press onto Velcro strip segments ⇒ *Installing wire harness in rear spoiler -Arrows B-*.
- 39 Connect the red connector to the red connection on the right antenna amplifier ⇒ *Fastening the ground straps and adhesive tape, connecting the connector -Arrow A-*.



Fastening the ground straps and adhesive tape, connecting the connector

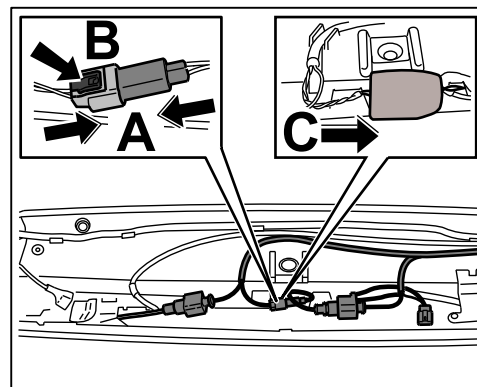
- 40 Connect the antenna connector to the socket with the same color of the right antenna amplifier ⇒ *Fastening the ground straps and adhesive tape, connecting the connector -Arrow B-*, until the connector is felt to engage.
- 41 Tighten ground strap with fastening screw ⇒ *Fastening the ground straps and adhesive tape, connecting the connector -Arrow C-*.

- 42 Fasten the lines with a new tie-wrap ⇒ *Fastening the ground straps and adhesive tape, connecting the connector -1-* and secure with new adhesive tape ⇒ *Fastening the ground straps and adhesive tape, connecting the connector -Arrow D-*.
- 43 Screw down the antenna lead for Kessy with the fastening screw to the right antenna amplifier ⇒ *Fastening the Kessy antenna lead -Arrow A-* and press onto the Velcro strip section ⇒ *Fastening the Kessy antenna lead -Arrow B-*.



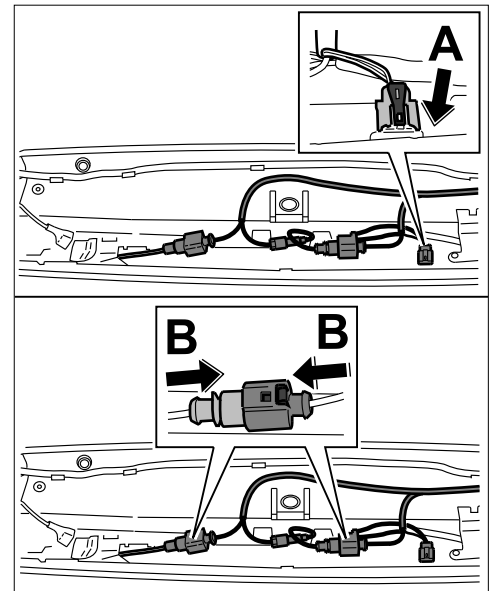
Fastening the Kessy antenna lead

- 44 Press the plug connection together ⇒ *Connecting plug connection -Arrows A-*, until the connector ⇒ *Connecting plug connection -Arrow B-* is felt to engage.



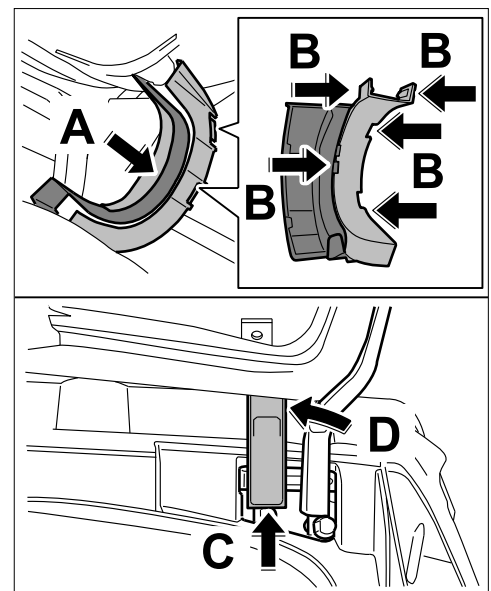
Connecting plug connection

- 45 Push Styrofoam element over plug connection ⇒ *Connecting plug connection -Arrow C-*.
- 46 Attach connector onto brake light ⇒ *Connecting the brake light connector -Arrow A-* until locking tab is felt to engage.



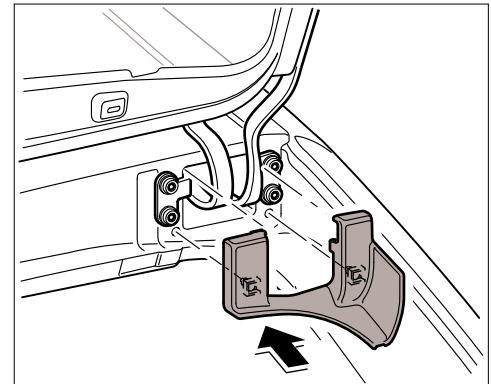
Connecting the brake light connector

- 47 Push the plug connections together ⇒ *Connecting the brake light connector -Arrows B-*, until the connectors are felt to engage.
- 48 Insert the wire harness of the right rear spoiler into the wiring duct and press on the cover ⇒ *Installing the right wiring duct -Arrow A-*, until the lugs ⇒ *Installing the right wiring duct -Arrows B-* are felt to engage.



Installing the right wiring duct

- 49 Push wiring duct onto right hinge ⇒ *Installing the right wiring duct -Arrow C - until locking tabs ⇒ Installing the right wiring duct -Arrow D-* are felt to engage.
- 50 Clip in right hinge cover.



Installing right hinge cover

Subsequent work for antenna leads for right and left rear spoiler up to the connection point

- 51 Install top half of rear spoiler. ⇒ *Workshop Manual '665819 Removing and installing rear spoiler - chapter on "installing"*
- 52 Install headliner ⇒ *Workshop Manual '708419 Removing and installing headliner - chapter on "Installing"*.

Important Notice: Technical Bulletins issued by Porsche Cars North America, Inc. are intended only for use by professional automotive technicians who have attended Porsche service training courses. They are written to inform those technicians of conditions that may occur on some Porsche vehicles, or to provide information that could assist in the proper servicing of a vehicle. Porsche special tools may be necessary in order to perform certain operations identified in these bulletins. Use of tools and procedures other than those Porsche recommends in these bulletins may be detrimental to the safe operation of your vehicle, and may endanger the people working on it. Properly trained Porsche technicians have the equipment, tools, safety instructions, and know-how to do the job properly and safely. Part numbers listed in these bulletins are for reference only. The work procedures updated electronically in the Porsche PIWIS diagnostic and testing device take precedence and, in the event of a discrepancy, the work procedures in the PIWIS Tester are the ones that must be followed.

© 2020 Porsche Cars North America, Inc.