



GROUP  
TRA

MODEL  
2020MY  
Telluride (ON)

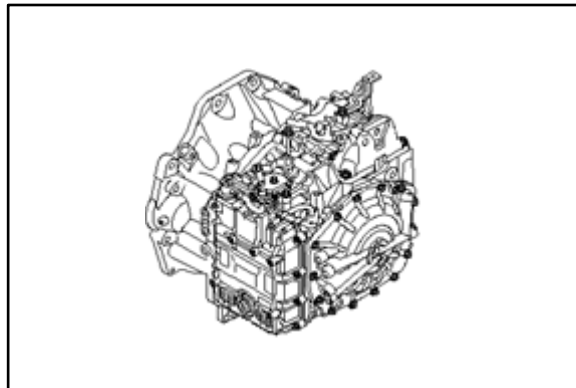
NUMBER  
090 (Rev 1, 07/02/2020)

DATE  
June 2020

## TECHNICAL SERVICE BULLETIN

**SUBJECT: SERVICE ACTION: AUTOMATIC TRANSMISSION/TORQUE  
CONVERTER ASSEMBLY REPLACEMENT (SA428)**

This bulletin provides information to replace the automatic transmissions on some 2020MY Telluride (ON) vehicles produced from May 18, 2020 through May 20, 2020 that may exhibit noise or/and vibration when the vehicle is driving at lower than 1,500 rpm. Before conducting the procedure, verify the vehicle is included in the list of affected VINs (see attached 19 VINS) on page 2. Perform this action prior to sale of the vehicle to prevent customer complaints.



### ★ NOTICE

A Service Action is a repair program without customer notification that is performed during the warranty period. Any dealer requesting to perform this repair outside the warranty period will require DPSM approval.

Repair status for a VIN is provided on WebDCS (Service → Warranty Coverage → Warranty Coverage Inquiry → Campaign Information). Not completed Recall / Service Action reports are available on WebDCS (Consumer Affairs → Not Completed Recall → Recall VIN → Select Report), which includes a list of affected vehicles.

This issue number is **SA428**.

Printed TSB copy is for reference only; information may be updated at any time.  
Always refer to KGIS for the latest information.

Circulate To:  General Manager  Service Manager  Parts Manager  
 Service Advisors  Technicians  Body Shop Manager  Fleet Repair

SUBJECT:

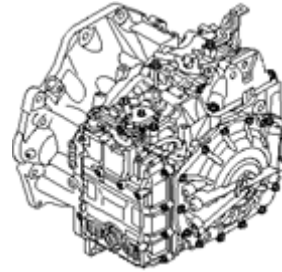
## SERVICE ACTION: AUTOMATIC TRANSMISSION / TORQUE CONVERTER ASSEMBLY REPLACEMENT (SA428)

### Replacement Procedure:

1. Record radio presets.
2. Replace the automatic transmission by referring to the “Automatic Transaxle System → Automatic Transaxle System → Repair procedures” chapter in the applicable Shop Manual on KGIS.

### **ⓘ IMPORTANT**

**Transmission cooler requires flushing.**



3. Confirm normal vehicle operation.
4. Restore radio presets.

### VIN List (19):

5XYP2DHC6LG091434  
 5XYP2DHC9LG091556  
 5XYP3DHC1LG091211  
 5XYP3DHC4LG091624  
 5XYP3DHC8LG091450  
 5XYP5DHC1LG091266  
 5XYP5DHC1LG091297  
 5XYP5DHC2LG091311  
 5XYP5DHC2LG091499  
 5XYP5DHC2LG091633  
 5XYP5DHC4LG091391  
 5XYP5DHC5LG091366  
 5XYP5DHC7LG091255  
 5XYP5DHCXLG091234  
 5XYP5DHCXLG091301  
 5XYP5DHCXLG091461  
 5XYP6DHC0LG091501  
 5XYP6DHC3LG091511  
 5XYP6DHC5LG091543

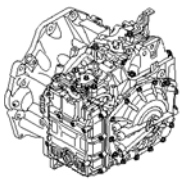

SUBJECT:

## SERVICE ACTION: AUTOMATIC TRANSMISSION / TORQUE CONVERTER ASSEMBLY REPLACEMENT (SA428)

AFFECTED VEHICLE RANGE:

Model	Production Date Range
Telluride (ON)	May 18, 2020 to May 20, 2020

REQUIRED PART:

Part Name	Part Number	Figure	Qty.
Automatic Transmission	45000 4GBH0		1
Transmission Cooler Flush	UM013 CH060		1
Antifreeze/Coolant	UM040 CH012		1

WARRANTY INFORMATION:

**N Code: N99 C Code: C99**

Claim Type	Causal P/N	Qty.	Repair Description	Labor Op Code	Op Time	Replacement P/N	Qty.
V	45000 4GBH0	1	(SA428) Automatic Transmission Replacement (AWD)	200A03R0	4.9 M/H	UM013 CH060	1
						UM040 CH012	

**Note:** If necessary, manually enter sublet code 'T2' for reimbursement of towing expense. Additionally, sublet code 'X2' can be entered for rental expense reimbursement (up to 5 days maximum) with supporting documentation.

### \* NOTICE

VIN inquiry data for this repair is provided for tracking purposes only. Kia retailers should reference **SA428** when accessing the WebDCS system.

