



**NUMBER:** 23-016-20

**GROUP:** 23 - Body

**DATE:** June 3, 2020

*This bulletin is supplied as technical information only and is not an authorization for repair. No part of this publication may be reproduced, stored in a retrieval system, or transmitted, in any form or by any means, electronic, mechanical, photocopying, or otherwise, without written permission of FCA US LLC.*

**SUBJECT:**

5th Wheel/Gooseneck Trailer Hitch Does Not Fit

**MODELS:**

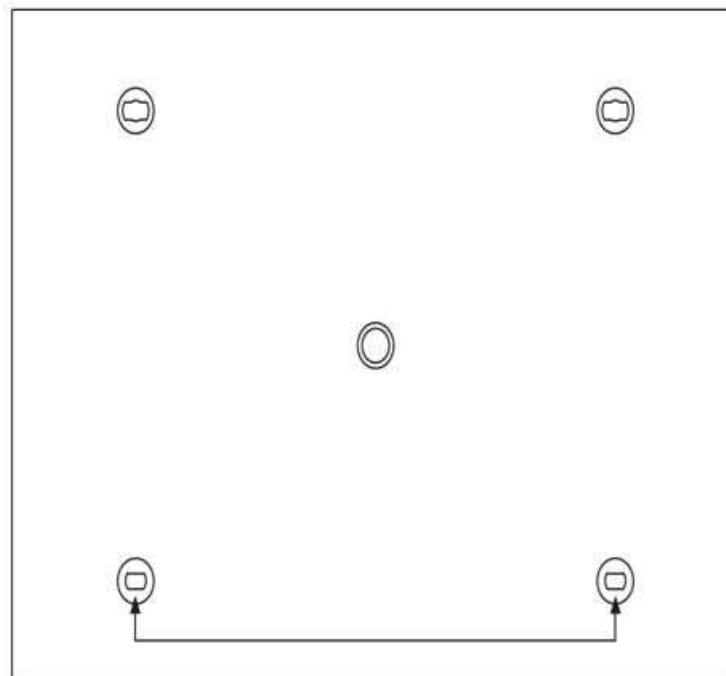
2013 - 2020	(D2)	RAM 3500 Pickup
2014 - 2020	(DJ)	RAM 2500 Pickup

**NOTE:** This bulletin applies to vehicles within the following markets/countries: North America.

**NOTE:** This bulletin applies to vehicles equipped with 5th Wheel/Gooseneck Towing Prep GRP (Sales Code AHU) or Mopar 5th Wheel Prep Kit.

**DISCUSSION:**

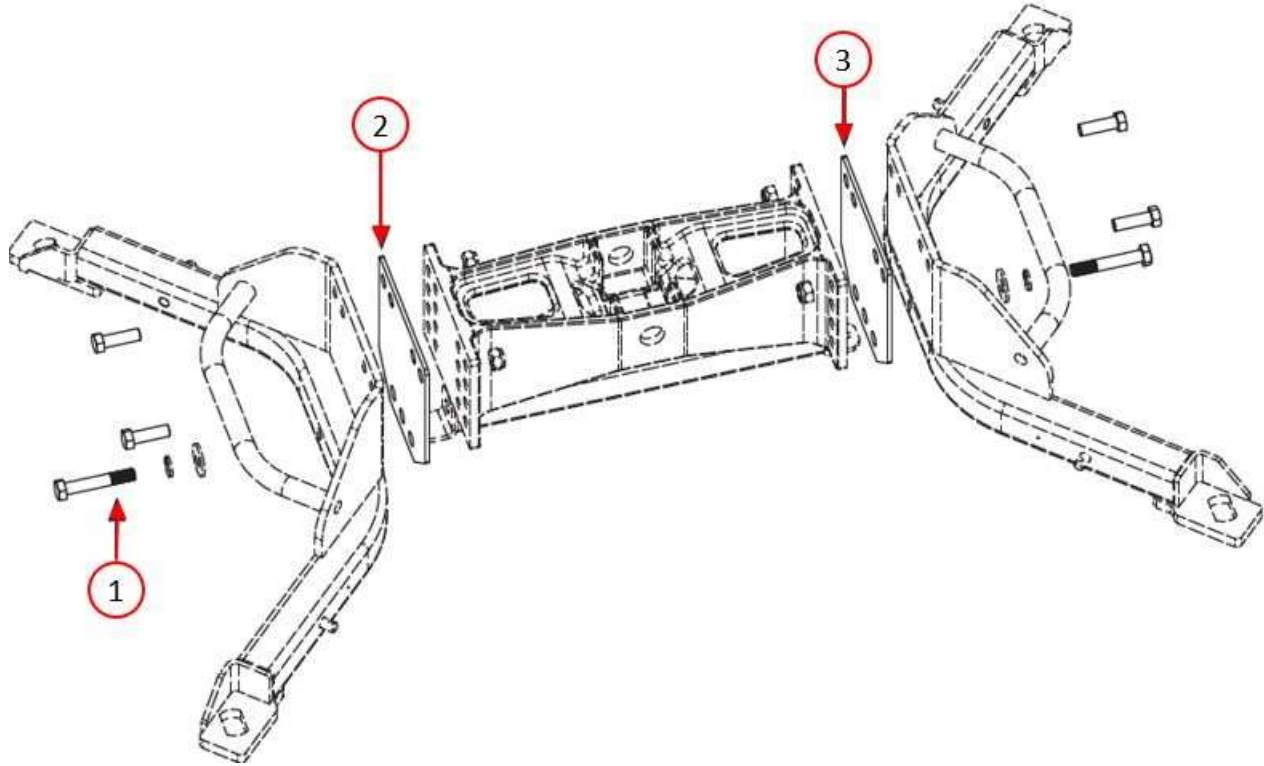
The dealer may have an issue trying to install a direct mount Mopar accessory 5th wheel trailer hitch. The legs on the hitch may be too narrow to fit into the pucks in the bed of the truck. The dealer can use a 5th wheel shim kit (PN 68510849AA) to correct this issue. The kit will come with two shims. Use the inspection procedure below to determine if one or two shims will be needed. Measure the distance between the center of each receiver pucks (Fig. 1) . The measurement can be taken from the front or rear pucks.



**Fig. 1**  
**5th Wheel Hitch Pucks**

Shims Needed	Measured Puck Width
No Shims	987 mm (38-13/16") to 991 mm (39")
One Shim	992 mm (39-1/16") to 996 mm (39-1/4")
Two Shims	997 mm (39-1/4") to 1001 mm (39-7/16")

Install the shim kit as seen in (Fig. 2) . All bolts should be torqued to 136 N·m (100 ft lbs.).



**Fig. 2**  
**Shim Installed Location**

- 1 - Bolts Provided in Shim Kit (Both Sides)
- 2 - Second Shim (If Needed)
- 3 - First Shim (Passenger Side)

**POLICY:**  
Information Only