



Technical Journal

TITLE:

Rattle noise from front wheel arch liner

REF NO: TJ 35530.1.0	ISSUING DEPARTMENT: Technical Service	CAR MARKET: United States and Canada	
PARTNER: 3 US 7510 Volvo Car USA		ISSUE DATE: 2020-06-11	STATUS DATE: 2020-06-16
FUNC GROUP: 8254	FUNC DESC: Wheel arch liner, plastic	Page 1 of 5	

“Right first time in Time”

Attachment

File Name	File Size
TJ 35530.mp4	5.9779 MB
TJI-123456-1_2_en-US.pdf	0.4682 MB

Vehicle Type

Type	Eng	Eng Desc	Sales	Body	Gear	Steer	Model Year	Plant	Chassis range	Struc Week Range
536							2019-2020		0000001-0228734	201746-202003

CSC Customer Symptom Codes

Code	Description
H1	Body frame/Squeak/rattle/Front outer body
ZC	Body frame/Other wind noise (turbulence)

VST Operation Number

VST Operation Number	Description
99921-2	General reimbursement acc. to TJ/QB

DESCRIPTION:

If vehicle shows symptom for noise or vibration from front wheel arch liner, listen to attached sound file “TJ 35530” and if the noise is confirmed follow the advice under service.

**SERVICE:**

Perform adjustment according to attached document.

To get warranty claim accepted for a job described in this TJ, please use following data:

VST OP number: 99921-2

VEHICLE REPORT:

Yes, please submit a Vehicle Report if the service solution described in this TJ has no effect. Use concern area "Vehicle Report" and sub concern area "Support not needed", use function group 8254.

To view TJ attachment continue to the next page. This TJ has one attachment and one sound file.



Volvo Car Customer Service

TJ Instruction VCC-519313-1

Title	Front wheel arch liner	Page	1 (3)
Action	Adjustment	Operation number:	99921-2

Issue	Date	Reason
1	2020-06	First issue

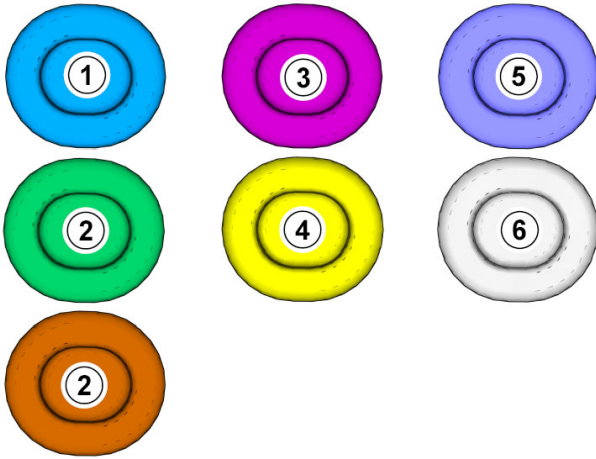
Affected vehicles

Model year	Model
2018, 2019, 2020	XC40

Equipment

Designation	Part No.
Sheet metal shears	

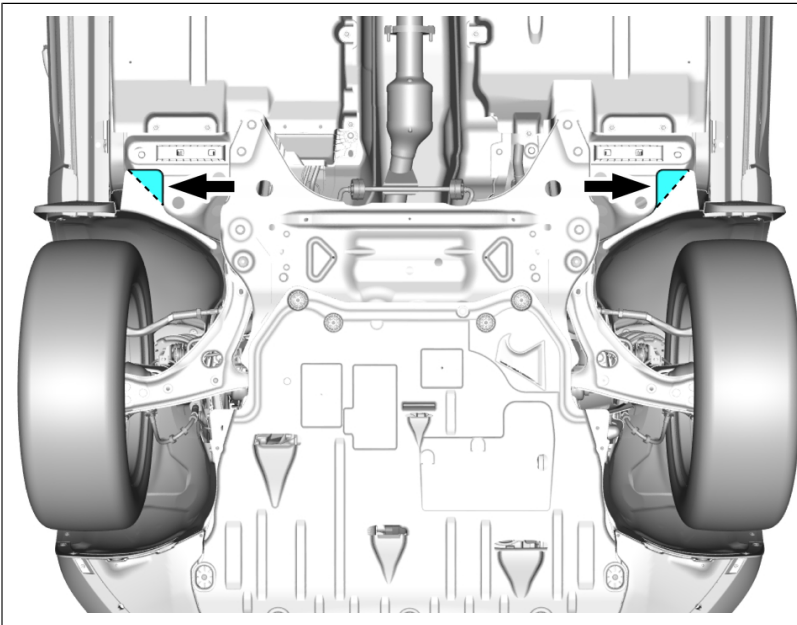
Color symbols



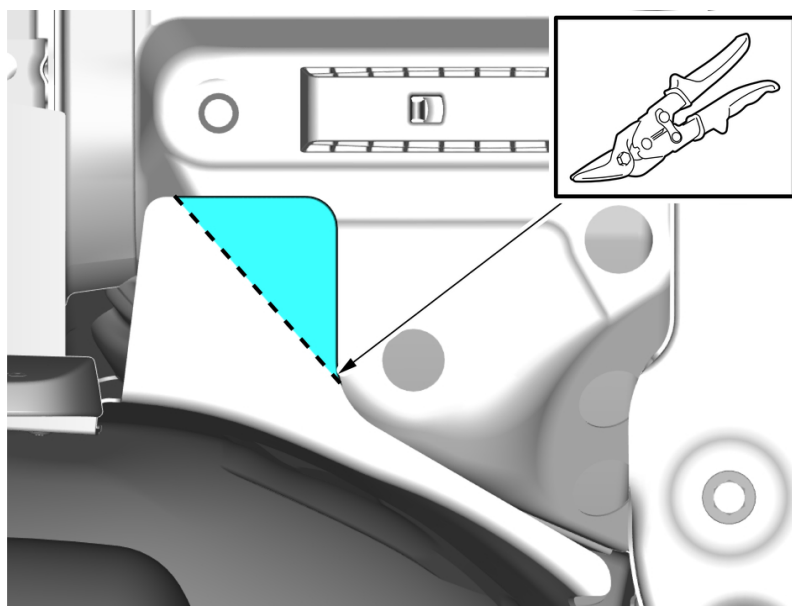
Note! This colour chart displays (in colour print and electronic version) the importance of the different colours used in the images of the method steps.

- 1 . Used for focused component, the component with which you will do something.
- 2 . Used as extra colors when you need to show or differentiate additional parts.
- 3 . Used for attachments that are to be removed/installed. May be screws, clips, connectors, etc.
- 4 . Used when the component is not fully removed from the vehicle but only hung to the side.
- 5 . Used for standard tools and special tools.
- 6 . Used as background color for vehicle components.

Adjustment



Note! Orientation view



Use: Sheet metal shears
Remove the marked part.
On both sides.