



Technical Service Bulletin

SUBJECT:			No: TSB-20-42A-003
ABNORMAL NOISE WHILE DRIVING WITH FRONT WINDOW SLIGHTLY OPEN			DATE: June 2020
			MODEL: 2018 Eclipse Cross
CIRCULATE TO:	<input type="checkbox"/> GENERAL MANAGER	<input checked="" type="checkbox"/> PARTS MANAGER	<input checked="" type="checkbox"/> TECHNICIAN
<input checked="" type="checkbox"/> SERVICE ADVISOR	<input checked="" type="checkbox"/> SERVICE MANAGER	<input checked="" type="checkbox"/> WARRANTY PROCESSOR	<input type="checkbox"/> SALES MANAGER

PURPOSE

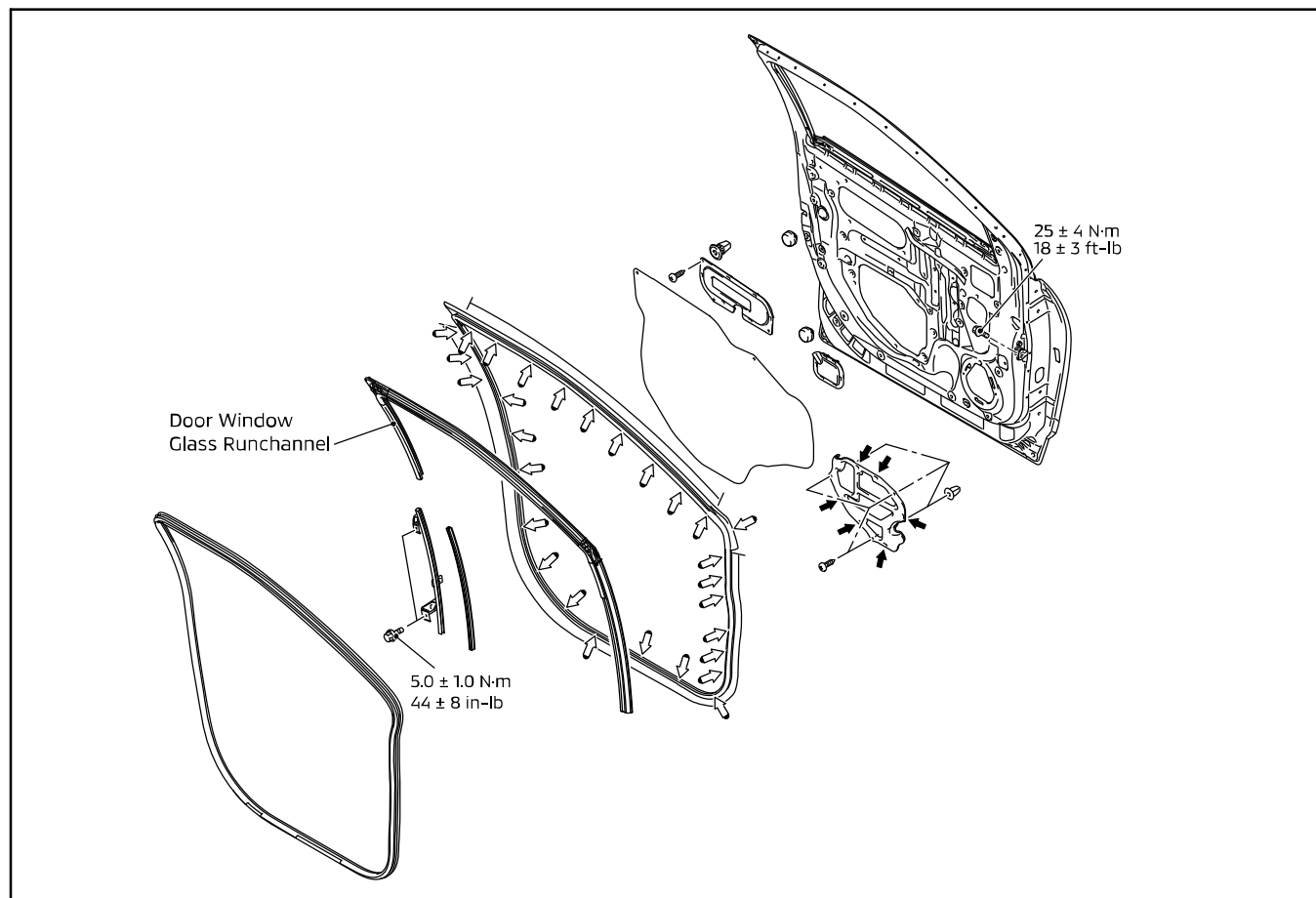
A customer may report a condition where, abnormal noises such as chattering or rattled may be heard while driving with the front window slightly opened. The window shakes while driving, and the glass touches a protrusion on the inner wall of the front door channel causing abnormal noises. The shape of the front door channel has been changed to remove the protruding part which was the source of the noise. This TSB instructs dealers to replace the front door run channel with a new part.

AFFECTED VEHICLES

2018 Eclipse Cross vehicles

REPAIR PROCEDURE

Replace the front door run channel with the countermeasure part.



PARTS INFORMATION

Order only the Genuine Mitsubishi Parts listed below.

Model	Part Name	Part Number	Quantity
Eclipse Cross	Runchannel, FR Door Window LH	5705B137	1
	Runchannel, FR Door Window RH	5705B138	1

WARRANTY INFORMATION

This bulletin is supplied as technical information only and is not an authorization to repair. If an affected vehicle is reported with the described condition, diagnose the condition, repair as described in this bulletin and submit a normal warranty claim using the following information.

Labor Operation Code	Operation	Time Allowance
424125XK	Replace One Side of Door Runchannel	0.3 hrs
424125XM	Replace Both Sides of Door Runchannel	0.4 hrs

Warranty Coverage: 5/60 Basic Coverage (Canada: 5/100)