

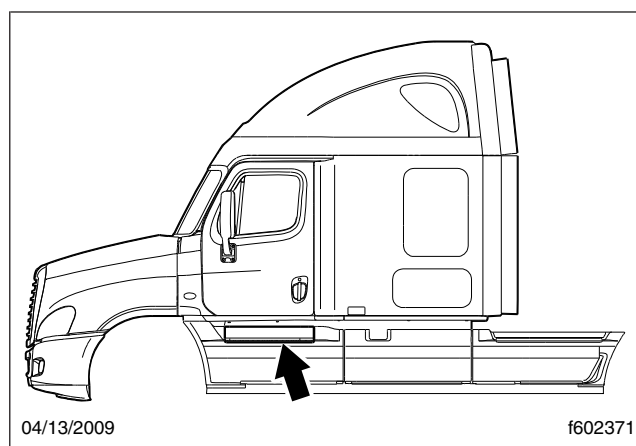
Constellation  
Heritage  
4700 Models  
4800 Models

4900 Models  
> 5700 Models  
5900 Models  
6900 Models

Western Star  
Service Bulletin

## General Information

On Western Star 5700 vehicles manufactured before May 20, 2019, and equipped with side-fairings, the magnets that hold the kickplate closed may corrode and prevent the kickplate from staying in the closed position. See **Fig. 1** for the location of the kickplate. If a magnet is found to be corroded it is recommended that all of the components that make up the magnet assembly be replaced. Order the parts in **Table 1** and follow the instructions below to replace both kickplate magnet assemblies.



**Fig. 1, Kickplate Location**

## Parts

Kickplate Magnet Replacement Parts		
Description	Part Number	Quantity
Bumper-Rubber, Steel Insert	23-14516-000	2
Magnet-Kickplate Latch	22-68677-000	4
Retainer-Magnet, Kickplate	22-68678-000	2
SCR-Mach, Phn, Hdi, SST, 6-32	23-11605-705	2
Nut-Hex,CLRLK,6-32	23-09336-003	2
Bracket-Strike Plate, Access Panel	22-68679-001	2
Blind Rivet, 5/32,SST, Dome Head	SSD54SSBS	4

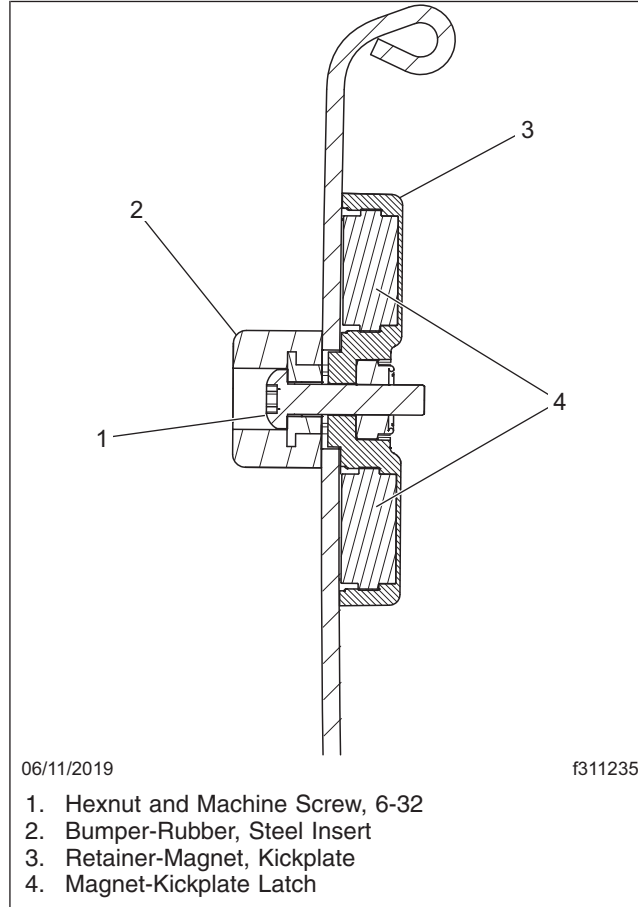
**Table 1, Kickplate Magnet Replacement Parts**

## Magnet Assembly Replacement

1. Park the vehicle on a level surface, shut down the engine, and apply the parking brake. Chock the tires.
2. Remove the existing rubber bumpers and magnet assemblies.

NOTE: The striker plate is located on the fairing panel.

3. Drill out the rivets that hold the striker plate and remove the striker plates.
4. Install the new magnets in the new retainers.
5. Using the machine screw and hexnut, install the new rubber bumper and magnet assembly. See **Fig. 2**.



**Fig. 2, Rubber Bumper and Magnet Assembly**

6. Using the rivets, install the new striker plate.

### Warranty

This procedure is warrantable only if the described condition exists and the repair is performed within the applicable base or extended coverage warranty period. If a failure is not found, this procedure is considered preventive and warranty does not apply.

Normal warranty applies. See [Table 2](#) for OWL VMRS codes and labor allowance information. Enter this service bulletin number in the *Service Bulletin #* field.

OWL VMRS Codes and Labor Allowance					
Primary Failed Part	Component Code	Cause Code	SRT Code	Description	Time: Hours
22-68677-000	004-005-028	12	782-5017A	Kickplate Magnet, R/R (SB 31-015)	0.9

**Table 2, OWL VMRS Codes and Labor Allowance**