

Porsche

Special Tools & Equipment

992 (911) Recommended Exhaust Extraction Adapters

Technical Support

2008

USA Only

Porsche Special Tools & Equipment recognizes that there is a **NEW** need for Exhaust Extraction Adapters for the latest 992 (911) Carrera from MY 2020. According to **WM190107 #7-7.2 Bleeding the Cooling System** these **NEW** adapters are needed to extract exhaust in a safe manner to keep the rear cover from overheating due to high heat produced while following the workshop manual procedures. PCNA will not auto-ship these items to every dealer. This is a recommended dealer purchase. The items listed in this bulletin can be purchased on the porsche.snapon.com website. If you have any questions about these items, please feel free to reach out to Porsche Special Tools & Equipment at askthetoolguy@porsche.us

Model line	Model
	911 (992)



Porsche

Special Tools & Equipment

992 (911) Recommended Exhaust Extraction Adapters

Technical Support

2008

USA Only

New Products

Adapter Stand w/Exhaust Adapter

JDOQCS-2041 | ★ | \$203.50

Model lines 992 (911) Carrera from MY 2020

Use Used to extract exhaust safely from the rear of the vehicle

Workshop Manual WM190107

Order Number JDOQCS-2041

Supplier Porsche Special Tools & Equipment

Availability Immediate Availability

Note ***To properly extract exhaust for Porsche Vehicles (2) Adapter Stands will need to be ordered**
Adapter stand can be ordered through the porsche.snapon.com website.



Porsche

Special Tools & Equipment

992 (911) Recommended Exhaust Extraction Adapters

Technical Support

2008

USA Only

New Products



4" Y-Hose Assembly

JDOQCY-4 | ★ | \$255.60

Model lines 992 (911) Carrera from MY 2020

Use Used to extract exhaust safely from the rear of the vehicle

Workshop Manual WM190107

Order Number JDOQCY-4

Supplier Porsche Special Tools & Equipment

Availability Immediate Availability

Note Used to connect exhaust extraction system to adapter stands.
Can be ordered via the [porsche.snapon.com](https://www.porsche.snapon.com) website.

992 (911) Recommended Exhaust Extraction Adapters

Technical Support
2008

USA Only

New Products

WM190107 Bleeding the Cooling System

(Workshop Manual Information)

7 Get the exhaust extraction system ready.

NOTIFICATION

Overheating due to accumulated exhaust gas

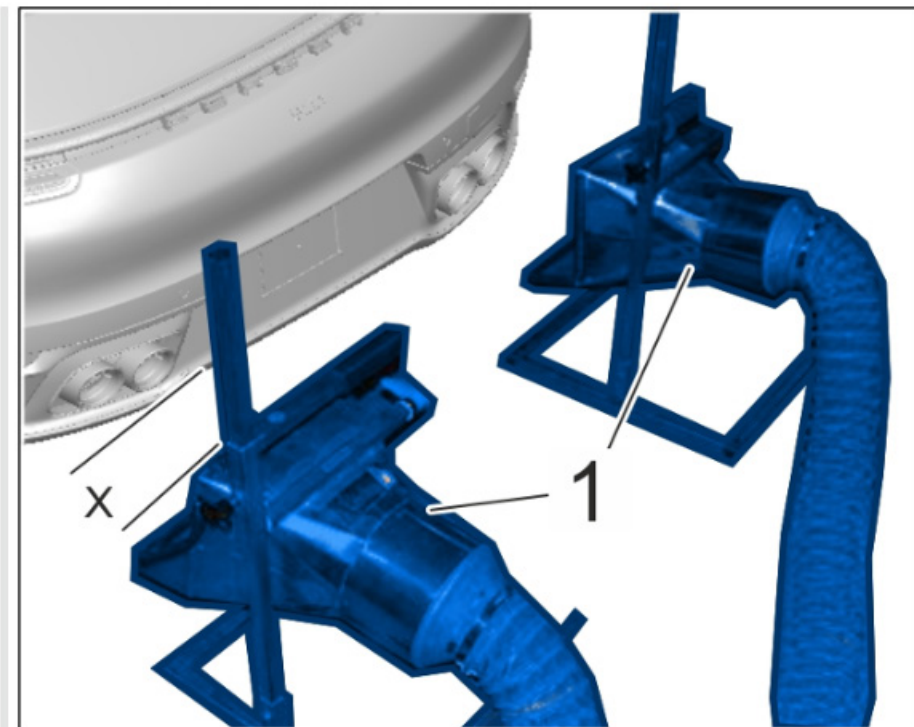
- Damage to paintwork on rear apron
- Deformed plastic components in the rear area

- Position exhaust extraction system some distance behind the vehicle and switch it on.
- If it is not possible to position the extraction system some distance away from the vehicle, carry out the process outdoors.

7.1 Position extraction funnel -1-.

Ensure a distance of 300 mm -x- to the tailpipes.

7.2 Make sure that all exhaust gas is extracted. Adjust the height of the extraction funnel -1- if necessary.



Exhaust extraction system

Porsche

Special Tools & Equipment

992 (911) Recommended Exhaust Extraction Adapters

Technical Support
2008

USA Only

Actual Photo of Porsche Training Center Setup of the Recommended Exhaust Extraction



Porsche

Special Tools & Equipment

992 (911) Recommended Exhaust Extraction Adapters

Technical Support
2008

USA Only

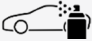

General Information

Ordering process

* For ordering tools identified with a prefix of T, VW, VAS, VAG or a four digit tool number (Ex. 3438) please login to porsche.snapon.com for ordering

* For ordering tools with a prefix of 000 721, PNA or 918 721 please login to POLARIS (PPL) to order tools

Workshop Equipment Classification

- ★ Servicing and maintenance
- ★★ Replacement of units and assemblies
- ★★★ Disassembly of units and assemblies
- ★★★★ Tool hire
-  Body & Paint
-  High-voltage

Contact person

E-mail: askthetoolguy@porsche.us

All After Sales Circulars can also be found at:

PPN Aftersales Workshop Special Tools & Equipment

All prices are subject to change without notice