

May 18, 2020

Version 1

## Driver's and/or Front Passenger's Seat-Back Clicks or Pops

### AFFECTED VEHICLES

Year	Model	Trim	VIN Range
2019	MDX	ALL	ALL
2019	MDX Sport Hybrid	ALL	ALL

### SYMPTOM

When speeding up, slowing down, stopping, or turning, you hear or feel a noticeable clicking/popping from the driver's and/or front passenger's seat-back. Clients sometimes compare this to someone kicking the back of the seat. This sensation can also happen when adjusting the seat or shifting your weight in it.

### POSSIBLE CAUSE

The plastic lumbar adjustment mechanism contacts the metal seat frame.

### CORRECTIVE ACTION

Apply Kluber Centoplex 2 grease where the plastic lumbar adjustment mechanism contacts the metal seat frame.

### REQUIRED MATERIALS

Part Name	Part Number	Quantity
Kluber Centoplex 2 Grease	08798-9065	1 (One tube will service eight vehicle's)

### REQUIRED TOOLS

Tool Name	Quantity
Flashlight	1
Mirror	1

**CLIENT INFORMATION:** The information in this bulletin is intended for use only by skilled technicians who have the proper tools, equipment, and training to correctly and safely maintain your vehicle. These procedures should not be attempted by "do-it-yourselfers," and you should not assume this bulletin applies to your vehicle, or that your vehicle has the condition described. To determine whether this information applies, contact an authorized Acura automobile dealer.

## WARRANTY CLAIM INFORMATION

The normal warranty applies.

Operation Number	Description	Flat Rate Time	Defect Code	Symptom Code	Template ID	Failed Part Number
8510A9	Apply grease to seat frame (both sides).	0.5 hr	07403	01201	B20019A	81526-TYR-A31

Skill Level: Repair Technician

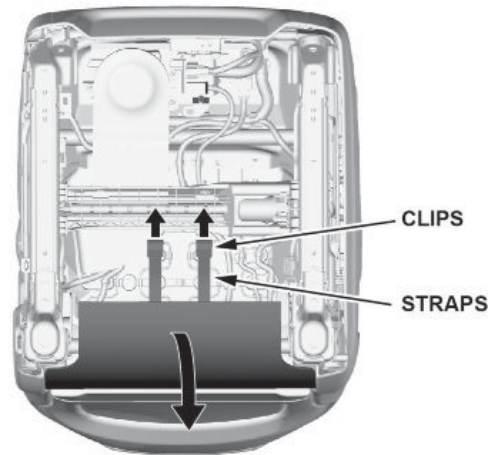
## REPAIR PROCEDURE

### NOTE

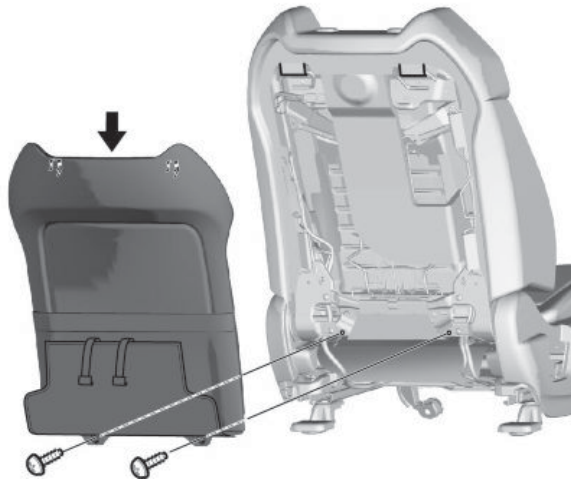
Even if the noise is only coming from one seat, apply the repair to both seats.

Begin this procedure on the driver's seat.

1. Move the seat all the way forward and to its full height position. This will give you more room to work.
2. Use a mirror and flashlight to locate the two straps attached under the seat. Then, unclip the straps.



3. Remove the two screws, then pull down the back panel.



4. Remove the black plastic seat cover clip to expose the lumbar contact area of the seat frame.



BLACK PLASTIC  
SEAT COVER CLIP

5. Using the power seat adjustment switch, move the lumbar support to its fully retracted, flattened position. Then, lower the lumbar support all the way to gain easier access to the area shown below.



6. With a clean cloth, wipe down the area where the plastic lumbar support contacts the seat frame.



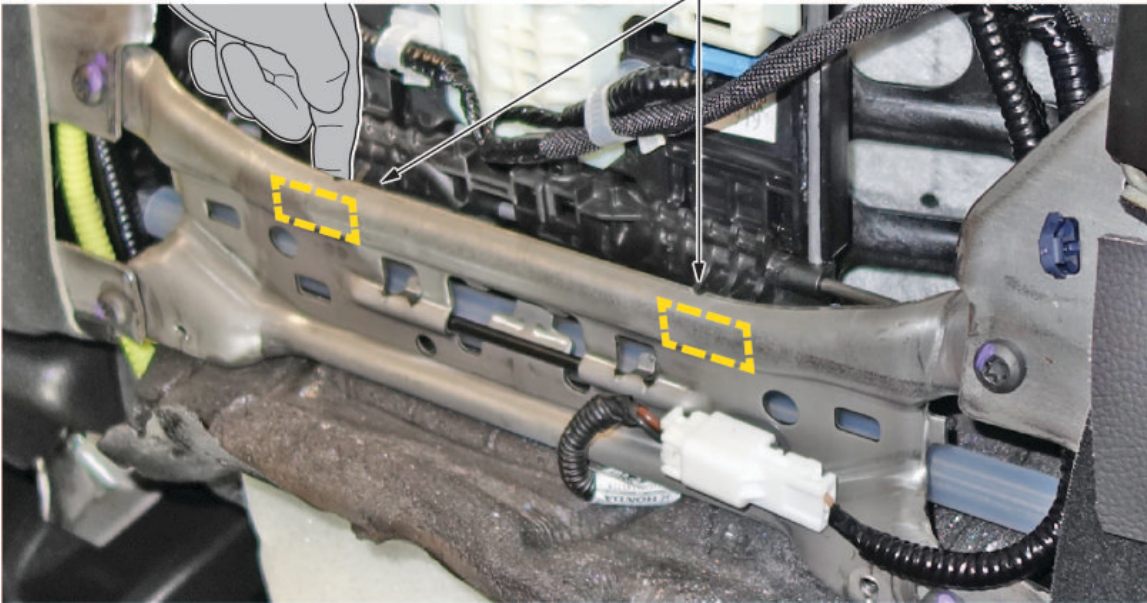
**METAL SEAT FRAME**  
Clean the inside surface.

7. Measure out two penny-size dabs of Centoplex grease onto a clean piece of cardboard or paper.



8. While wearing gloves, apply each dab with your finger to the locations shown. Be sure to spread the grease evenly over the frame.

Apply grease to two locations on the inside of the frame.



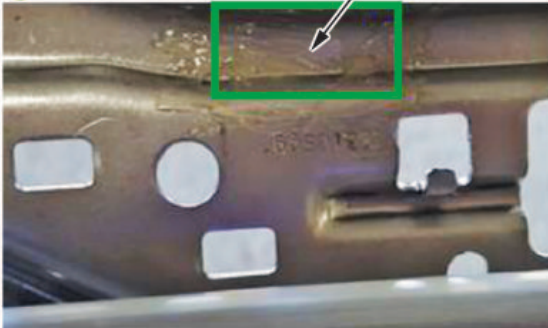
Apply the grease with a gloved finger.



**GOOD**

Spread the grease evenly.

**NO GOOD**



9. Install the black plastic seat cover clip.
10. Install the seat-back cover.
11. Using a mirror and flashlight, install the straps under the seat.
12. Repeat steps 1 thru 11 for the front passenger's seat.

END