

May 20, 2020

Version 1

Accessory Running Board Lights Are Flickering or Not Working

AFFECTED VEHICLES

Year	Model	Trim	VIN Range
2019 - 20	Passport	ALL	ALL
2016 - 20	Pilot	ALL	ALL
2017 - 19	Ridgeline	ALL	ALL

SYMPTOM

One or more accessory running board lights are flickering or not working.

POSSIBLE CAUSE

The running board light assembly is faulty.

CORRECTIVE ACTION

Inspect the running board light harness fuses and connections. If the fuse and all of the connections are ok, replace all of the running board lights.

PARTS INFORMATION

Part Name	Part Number	Quantity
Fuse, Blade (2A)	08Z86-020-200	2
Zip Ties	28187-R9T-A01	2
Light, R. Puddle	34261-TZ3-A02	2
Light, L. Puddle	34761-TZ3-A02	2

CUSTOMER INFORMATION: The information in this bulletin is intended for use only by skilled technicians who have the proper tools, equipment, and training to correctly and safely maintain your vehicle. These procedures should not be attempted by "do-it-yourselfers," and you should not assume this bulletin applies to your vehicle, or that your vehicle has the condition described. To determine whether this information applies, contact an authorized Honda automobile dealer.

WARRANTY CLAIM INFORMATION

The normal warranty applies.

Operation Number	Description	Flat Rate Time	Defect Code	Symptom Code	Template ID	Failed Part Number
8455A0	Inspect the accessory running board light harness and connections. (both sides)	0.3 hr	03214	03217	A20022A	34761-TZ3-A02
8451F3	Replace all four accessory running board lights. (both sides)	0.6 hr	03214	03217	A20022B	34761-TZ3-A02

Skill Level: Repair Technician

REPAIR PROCEDURE

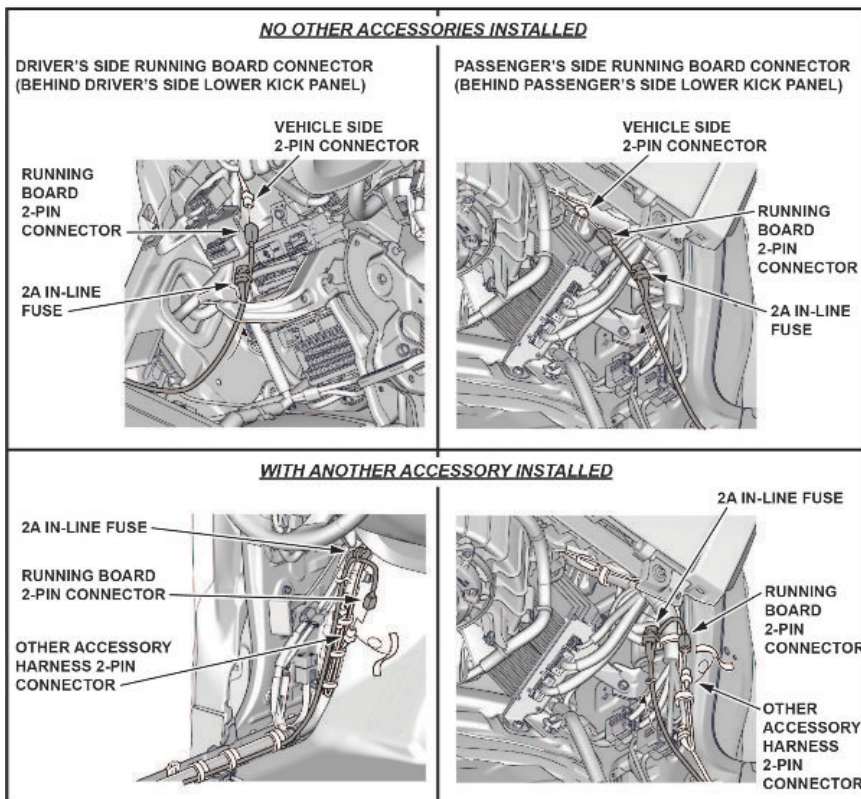
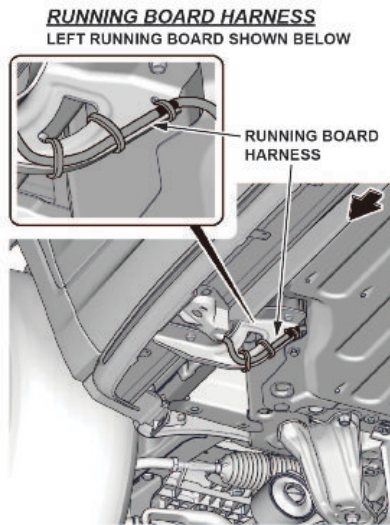
1. Check the running board light operation, and note which one(s) are not working or flickering.

NOTE

The lights will come on when you open any door or when you unlock the driver's door with the key/keyless access remote. When you close the door, they will go off after a period of time.

2. From the results of your inspection, do one of the following:
 - If only one light is not working or flickering on either or both sides, go to step 7.
 - If all lights are not working or flickering on either or both sides, go to the next step.
3. Refer to the accessory installation instructions in the service information to access the battery.
4. Disconnect the negative cable from the battery, then wait at least **3 minutes** before starting work.
5. Refer to the accessory installation instructions in the service information to access the running board harness.

- Starting from the front of the running board to the inside of the vehicle, inspect the running board harness for any damage. Make sure the running board 2-pin connector is properly connected and the in-line 2A fuse is OK. Keep in mind the harness configuration will be different if another accessory is already installed (see routing below).

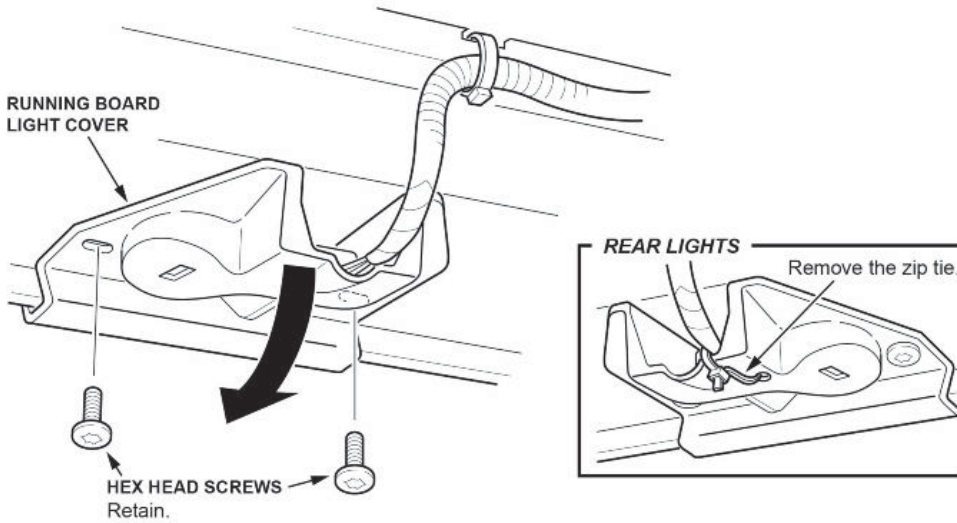


- If the harness is damaged, this bulletin does not apply.
- If the connector was not properly connected or the in-line fuse was blown, do normal system troubleshooting to isolate the cause, then correct the issue. Then, connect the battery, and check running board light operation. If all the running board lights are working properly, no other repairs are needed.
- If no issues were found or the running board light(s) still do not work properly, go to step 7.

7. Raise the vehicle to access the running board light(s) that are not working or flickering.
8. Remove the two hex head screws, and swing the running board light cover out to expose the running board light assembly.

NOTE

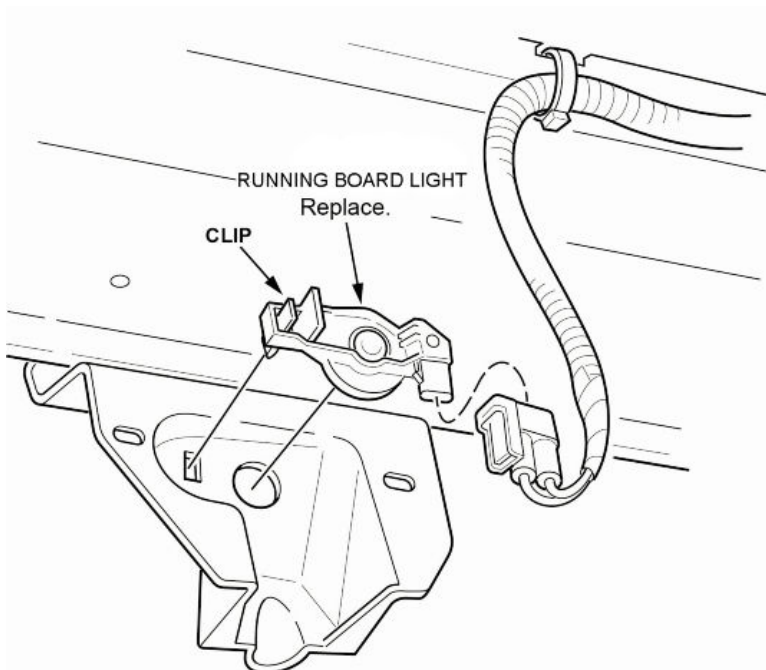
The rear lights will have a zip tie securing the harness to the running board light cover.

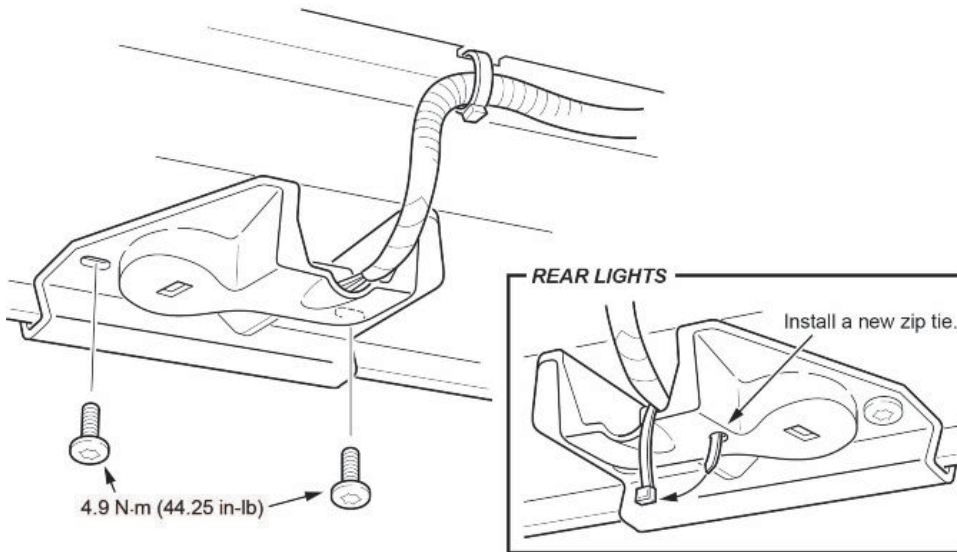


9. Inspect the connection to the running board light assembly, if the connector is improperly set, secure the connection and then check the light operation.
 - If the running board light operates properly, no other repairs are needed.
 - If the running board light still does not operate properly, replace all of the running board lights.
10. Disconnect the running board light, and install the new one.

NOTE

The rear lights requires a zip tie to secure the harness to the running board light cover.





11. Make sure the new running board light comes on and does not flicker, then repeat steps 7 thru 11 to replace the remaining running board lights.
12. Install all of the removed parts, and check the running board light operation.

END