



Technical Journal

TITLE:

USB Hub for Android Auto functionality

REF NO: TJ 33634.1.5	ISSUING DEPARTMENT: Technical Service	CAR MARKET: United States and Canada	
PARTNER: 3 US 7510 Volvo Car USA		ISSUE DATE: 2019-06-28	STATUS DATE: 2020-04-10
FUNC GROUP: 3900	FUNC DESC: Media, navigation and communication	Page 1 of 28	

“Right first time in Time”

Attachment

File Name	File Size
Installation Instruction_2018 S90.pdf	1.8202 MB

Vehicle Type

Type	Eng	Eng Desc	Sales	Body	Gear	Steer	Model Year	Plant	Chassis range	Struc Week Range
238							2018-2018		0000000-0042184	201710-201747

CSC Customer Symptom Codes

Code	Description
ZY	Electrical system/Component electrical system wrong installation/missing
9S	USB unit/Does not work

VST Operation Number

VST Operation Number	Description
39349	General Operations, Equipment for Maintenance

DTC Diagnostic Trouble Codes

Rows beginning with * are modified

Note! If using a printed copy of this Technical Journal, first check for the latest online version.

**DESCRIPTION:**

**Revised CSC list*

Some MY 2018 S90 vehicles listed above were built without a USB hub but also include Android Auto functionality.

The Android Auto function requires a USB hub in these vehicles to function properly.

If a customer is experiencing USB connection issues with Android Auto, the USB hub can be added to these cars at no cost to them.

SERVICE:

The accessory kit for Smartphone Integration on cars without a dual USB hub must be installed. Kit part number (PN) and application Software Product (SP) are listed below. Installation instructions are attached.

Kit: PN 32204786

Application: SP 30795738

Further information can be found on the accessories website:

[https://accessories.volvocars.com/en-us/S90\(17-\)/Accessories/Document/VCC-515715/2018](https://accessories.volvocars.com/en-us/S90(17-)/Accessories/Document/VCC-515715/2018)

NOTE: The *Smartphone Integration* SP mentioned in the installation instructions does not need to be downloaded since the vehicle is already equipped with the Apple CarPlay and Android Auto applications.

Warranty Claim Information:

- Only the vehicles within the range specified above can have the hub installation claimed under warranty.
- Please refer to this TJ in claim text to ensure correct processing
- The VST Operation listed above can be claimed for a *maximum* of 0.4hrs in reference to this TJ.

VEHICLE REPORT:

N/A

To view TJ attachment continue to next page. This TJ has one attachment.



Installation instructions, accessories

Volvo Car Corporation Gothenburg, Sweden

Instruction No	Version	Part. No.
11111111	1.0	32204786, 31659192, 32204602

Integrated smartphone

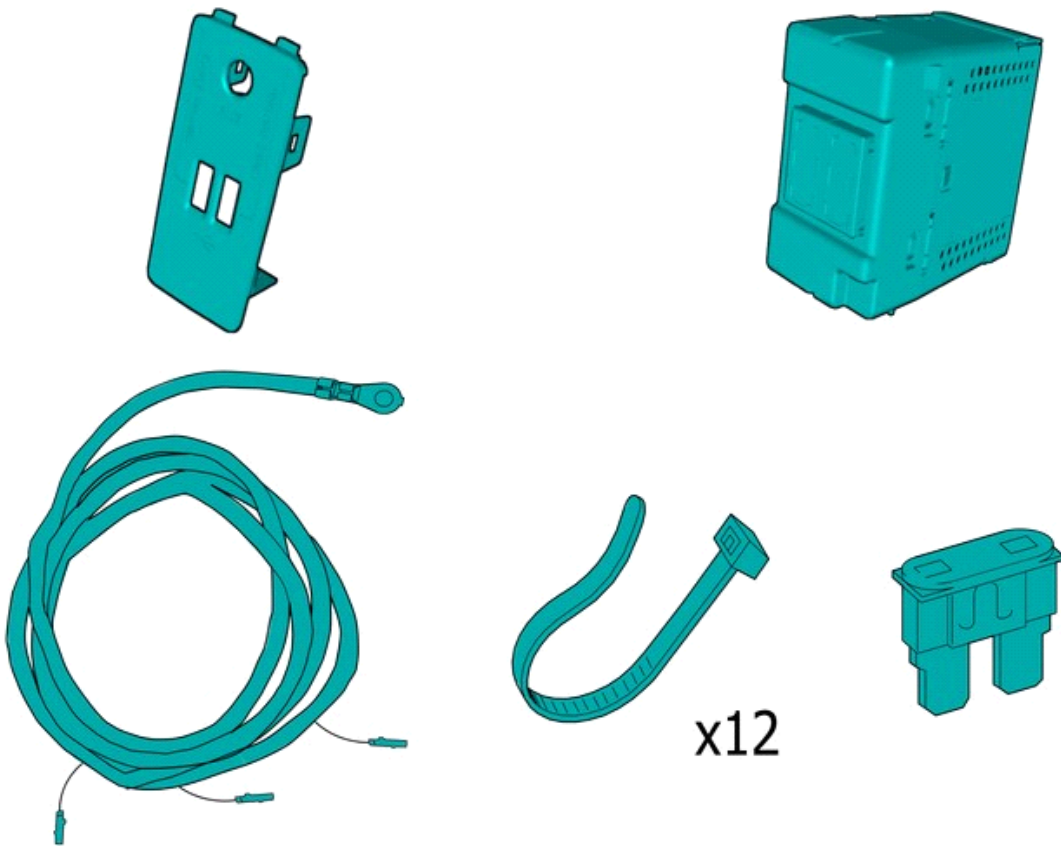


Installation instructions, accessories

Volvo Car Corporation Gothenburg, Sweden

Materials

Designation	Part number
Cable tie, 750 mm	988734
Electrical tape	



IMG-448339



Installation instructions, accessories

Volvo Car Corporation Gothenburg, Sweden

Information

1

Read through all of the instructions before starting installation.

Notifications and warning texts are for your safety and to minimise the risk of something breaking during installation.

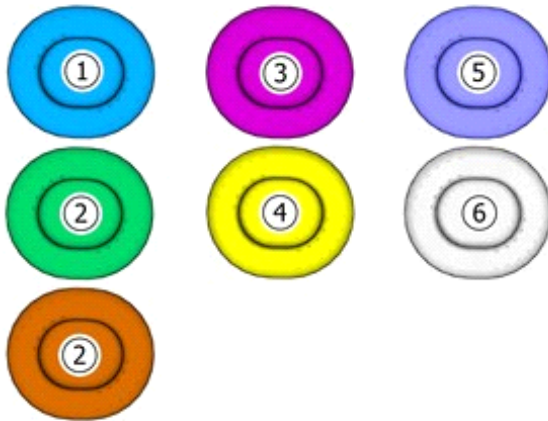
Ensure that all tools stated in the instructions are available before starting installation.

Certain steps in the instructions are only presented in the form of images. Explanatory text is also given for more complicated steps.

In the event of any problems with the instructions or the accessory, contact your local Volvo dealer.

Color symbols

2



IMG-363036

Note!

This colour chart displays (in colour print and electronic version) the importance of the different colours used in the images of the method steps.

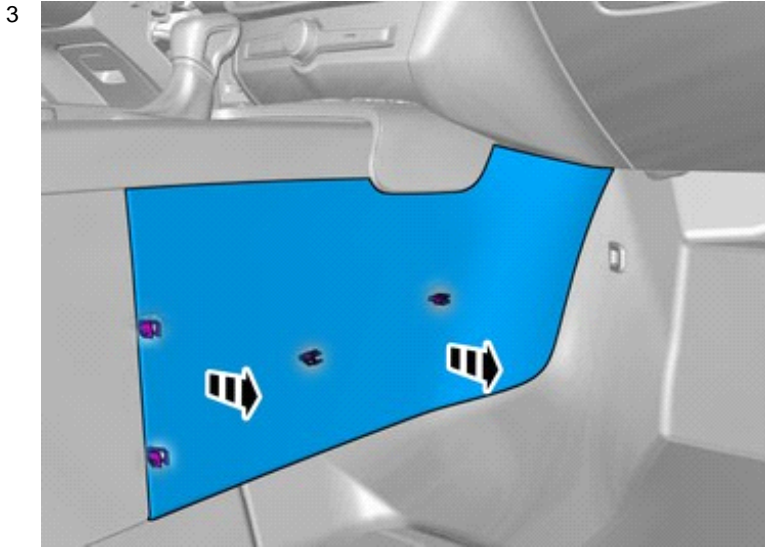
1. Used for focused component, the component with which you will do something.
2. Used as extra colors when you need to show or differentiate additional parts.
3. Used for attachments that are to be removed/installed. May be screws, clips, connectors, etc.
4. Used when the component is not fully removed from the vehicle but only hung to the side.
5. Used for standard tools and special tools.
6. Used as background color for vehicle components.

Removal



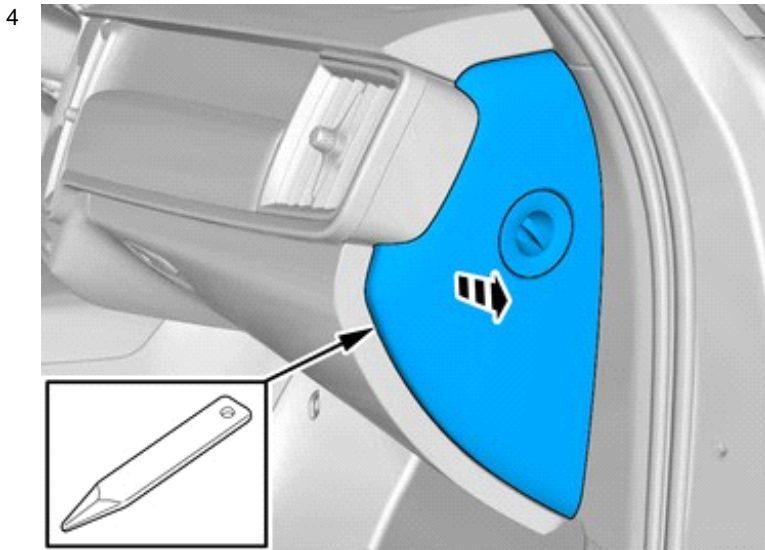
Installation instructions, accessories

Volvo Car Corporation Gothenburg, Sweden



Remove the panel.

IMG-414590



Remove the panel.

Disconnect the connector.

IMG-412242

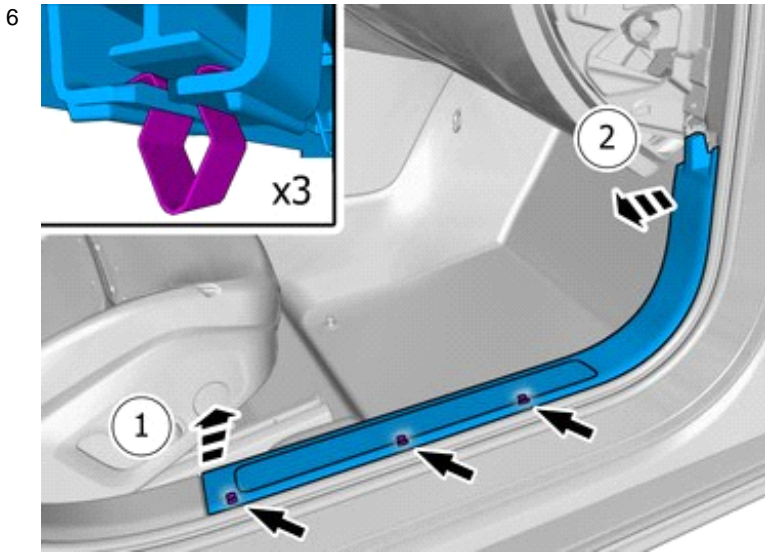


Installation instructions, accessories

Volvo Car Corporation Gothenburg, Sweden



IMG-414575

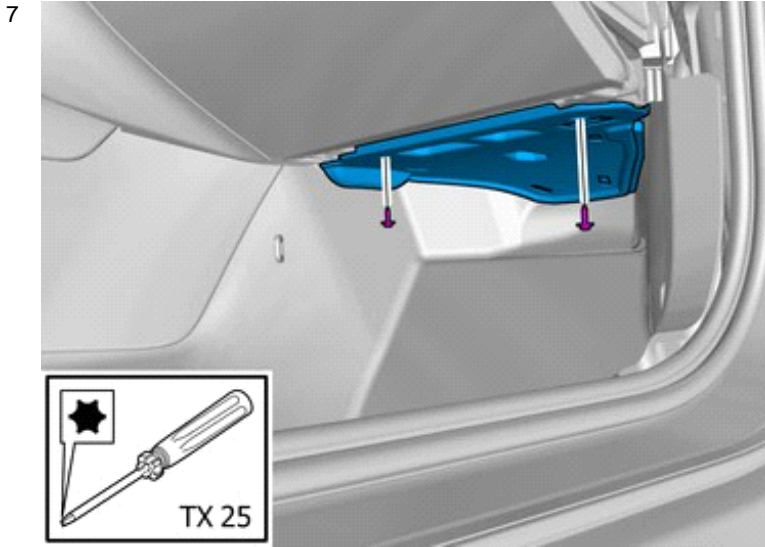


IMG-414580



Installation instructions, accessories

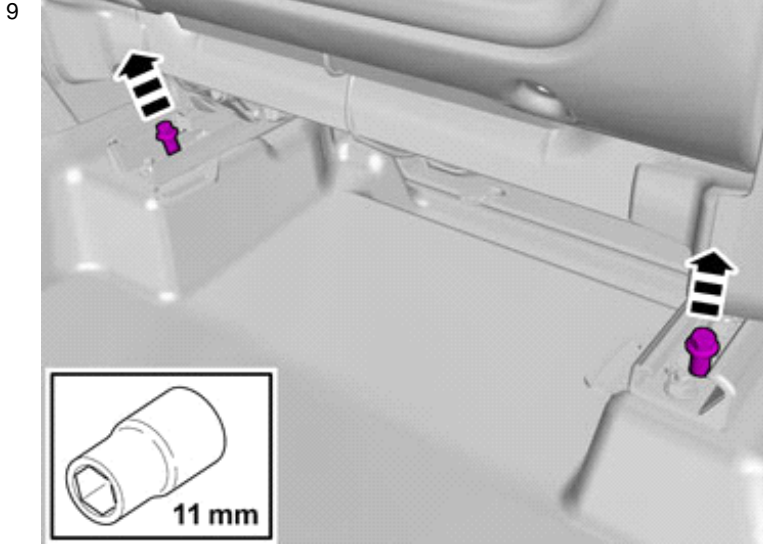
Volvo Car Corporation Gothenburg, Sweden





Installation instructions, accessories

Volvo Car Corporation Gothenburg, Sweden



Remove the screws.

Tightening torque: Front seat to body , 40 Nm

IMG-383130



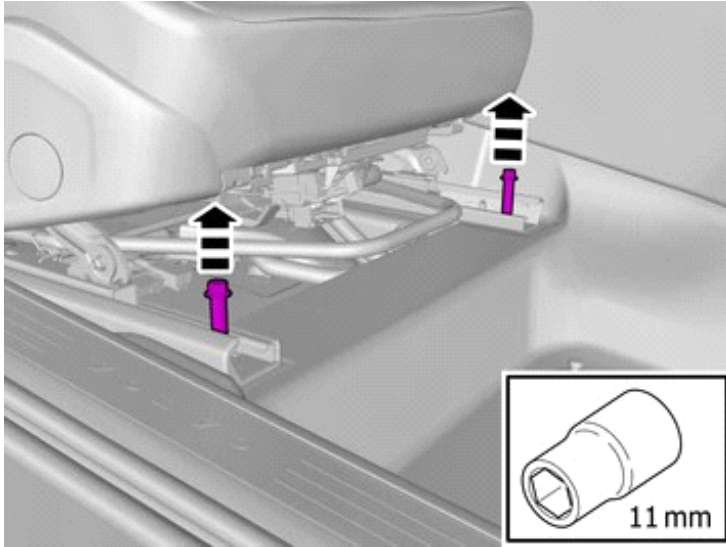
IMG-414525



Installation instructions, accessories

Volvo Car Corporation Gothenburg, Sweden

11

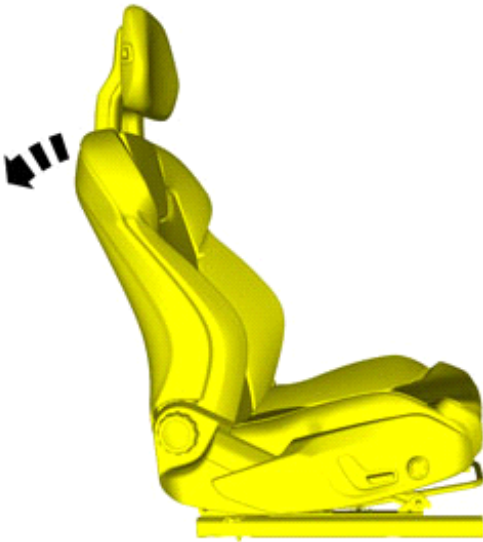


IMG-414515

Remove the screws.

Tightening torque: Front seat to body , 40 Nm

12



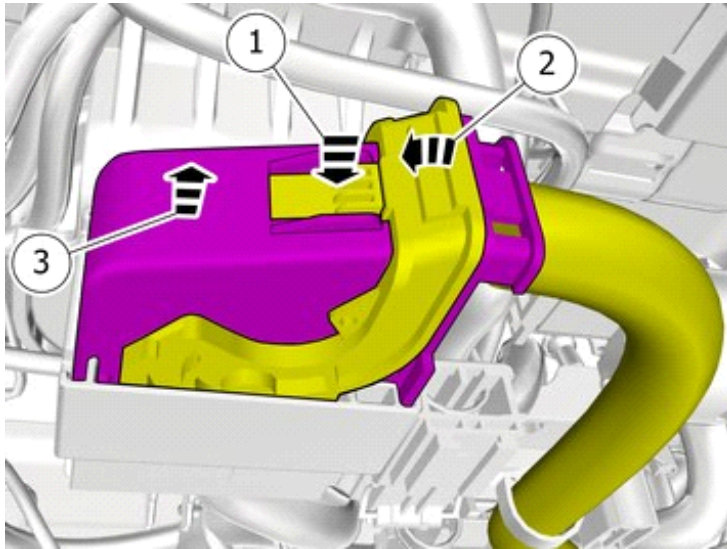
IMG-383134



Installation instructions, accessories

Volvo Car Corporation Gothenburg, Sweden

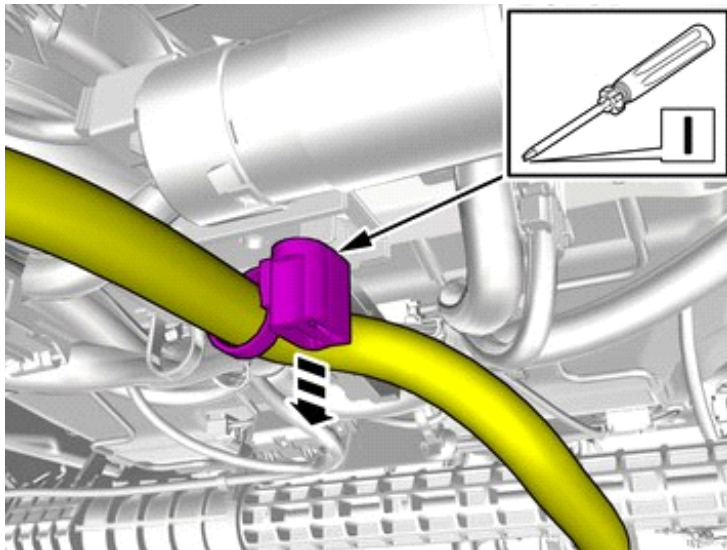
13



IMG-396605

Disconnect the connector.

14



IMG-396606

Unhook the cable harness clips.



Installation instructions, accessories

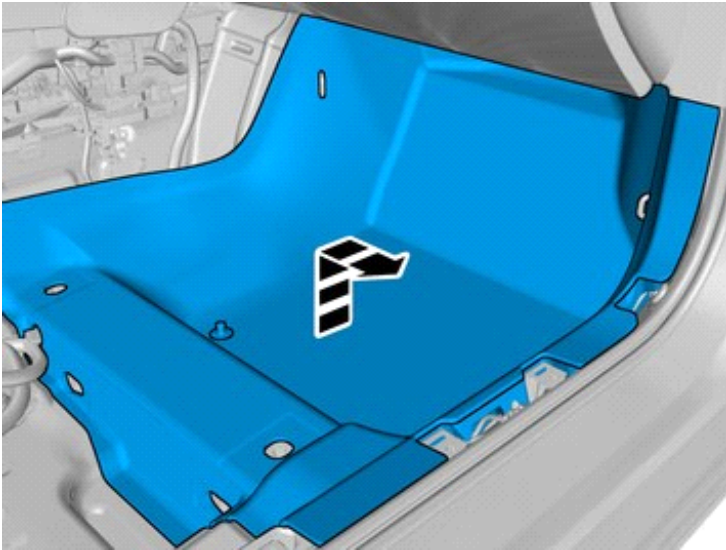
Volvo Car Corporation Gothenburg, Sweden

15



IMG-414526

16



IMG-415092

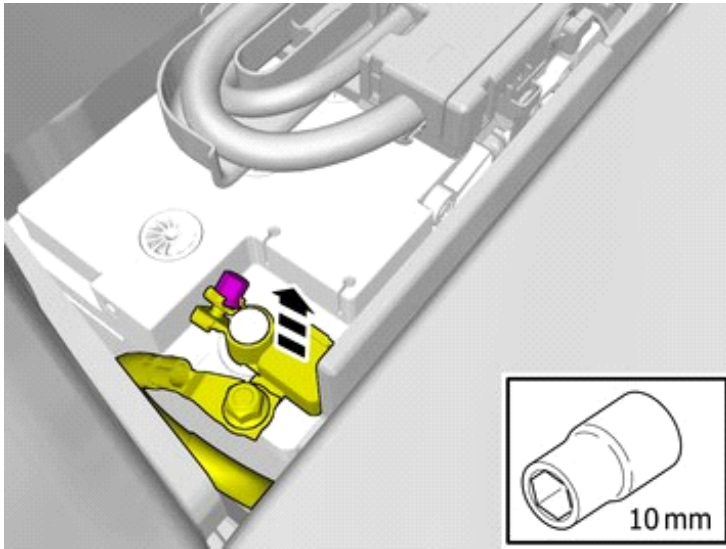
Remove the marked part.



Installation instructions, accessories

Volvo Car Corporation Gothenburg, Sweden

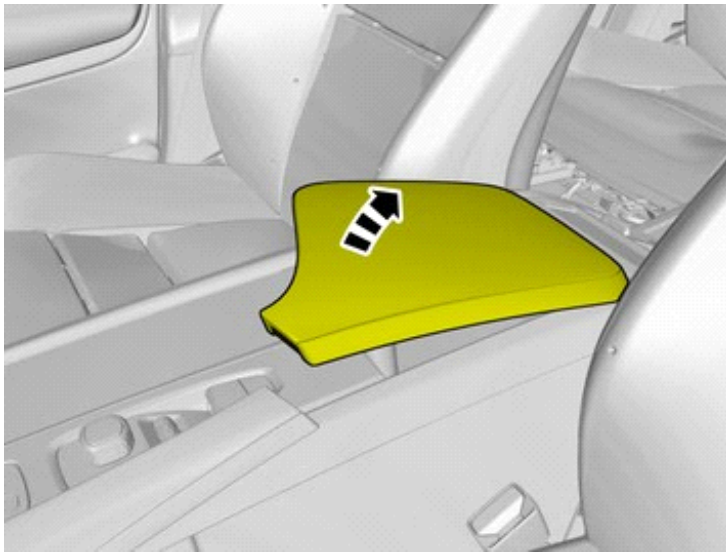
17



IMG-394520

Remove the battery's negative cable.

18



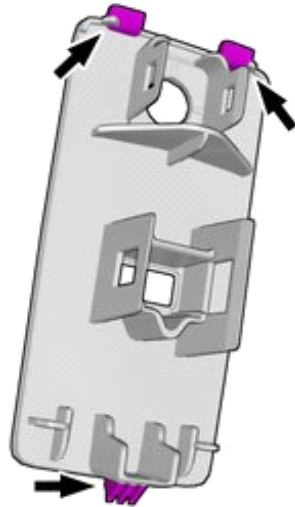
IMG-439801



Installation instructions, accessories

Volvo Car Corporation Gothenburg, Sweden

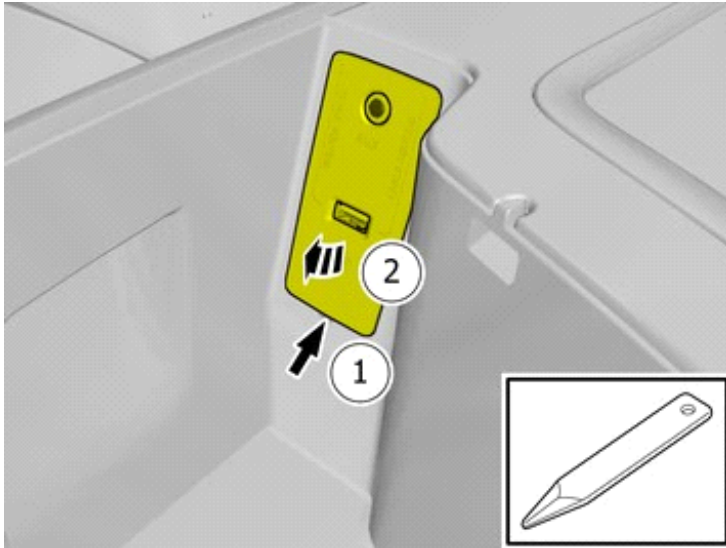
19



The graphic shows the back of the component.

IMG-439523

20



Loosen the marked detail.

IMG-439522

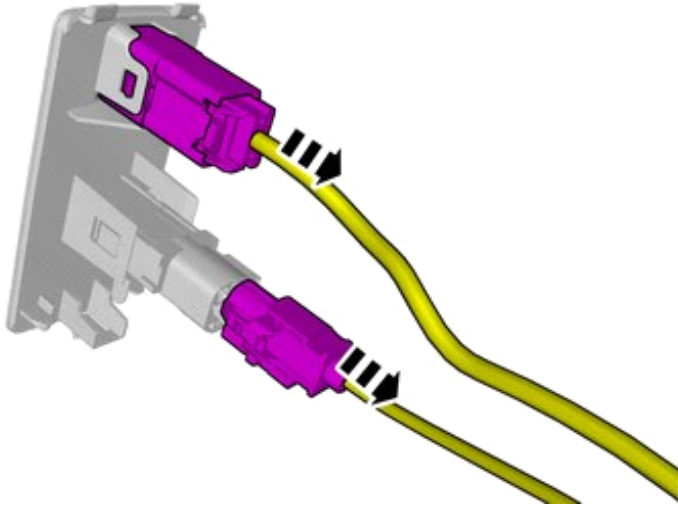


Installation instructions, accessories

Volvo Car Corporation Gothenburg, Sweden

21

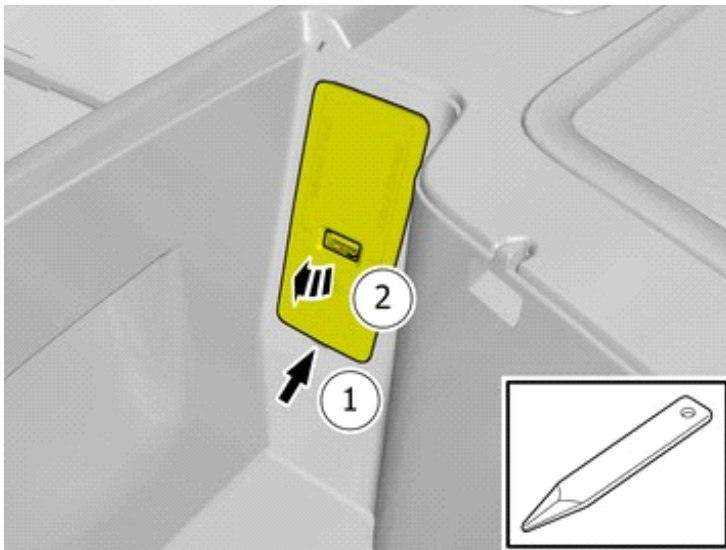
Disconnect the connectors.



IMG-439524

Alternative 2

22



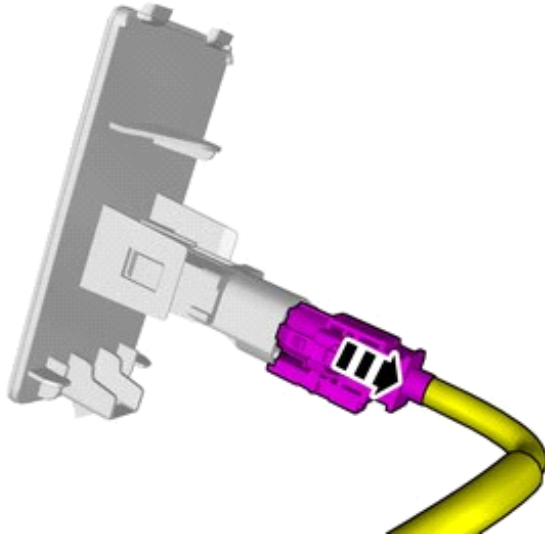
IMG-439871



Installation instructions, accessories

Volvo Car Corporation Gothenburg, Sweden

23

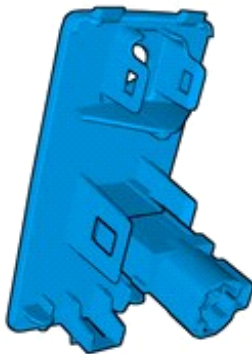


IMG-439945

All vehicles

24

The part is not to be reused.



IMG-439526

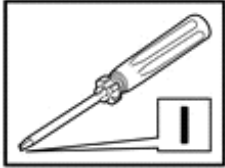
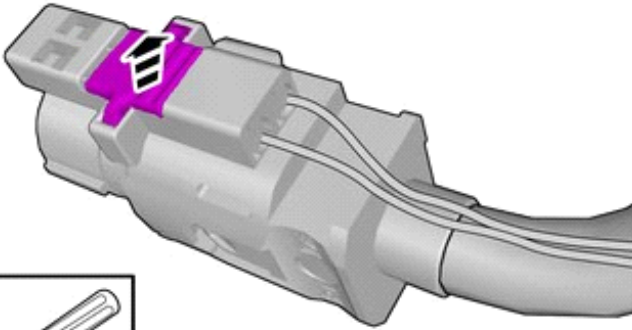


Installation instructions, accessories

Volvo Car Corporation Gothenburg, Sweden

25

Release the lock.

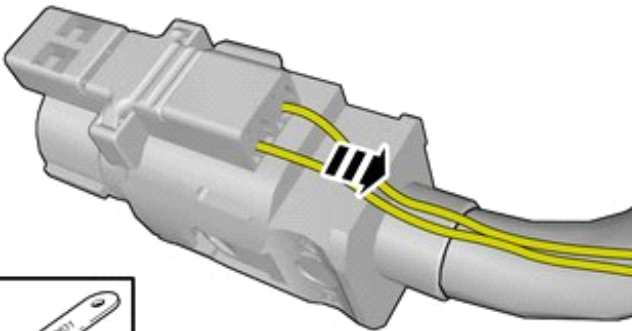


IMG-446385

26

Disconnect terminals from the connector, following the graphic.

The cable harness must not be reused.



IMG-446386

Accessory installation

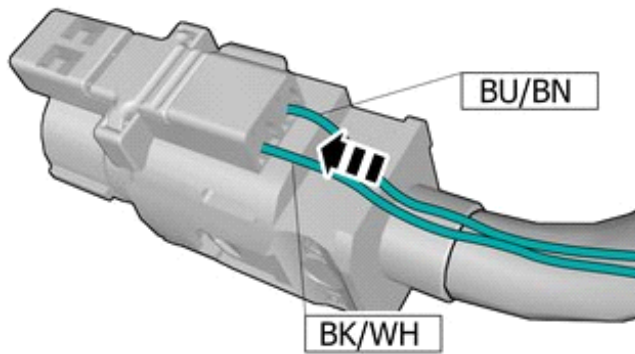


Installation instructions, accessories

Volvo Car Corporation Gothenburg, Sweden

27

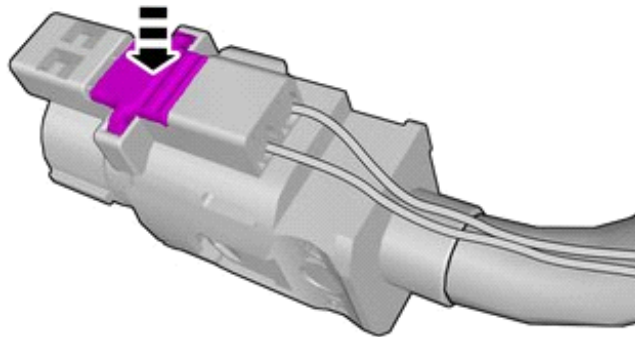
Connect the cable harness.



IMG-447057

28

Install the catch.



IMG-447058

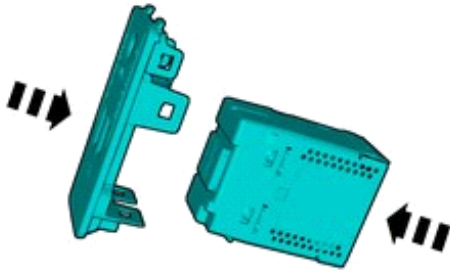


Installation instructions, accessories

Volvo Car Corporation Gothenburg, Sweden

29

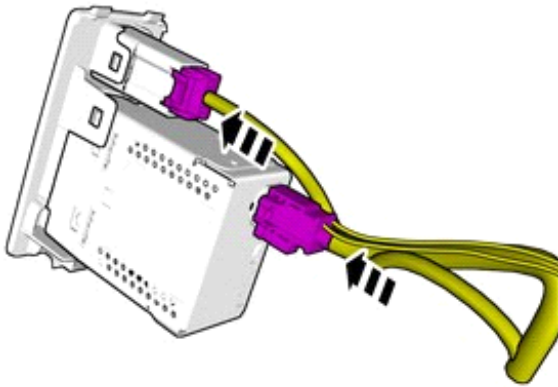
Assemble components that come with the accessory kit.



IMG-447077

30

Connect the connectors.



IMG-447081

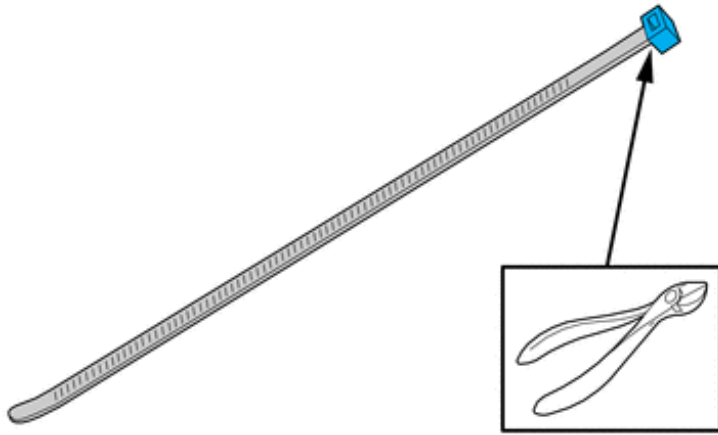


Installation instructions, accessories

Volvo Car Corporation Gothenburg, Sweden

31

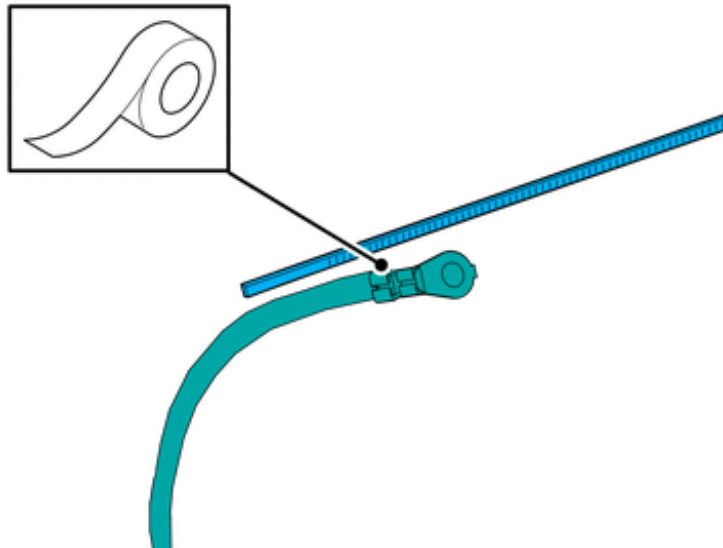
Use: 988734, Cable tie, 750 mm



IMG-419675

32

Use: , Electrical tape



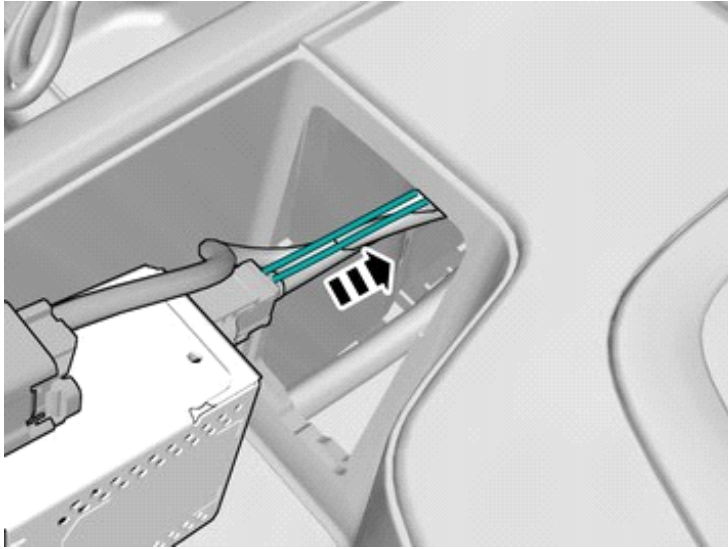
IMG-447082



Installation instructions, accessories

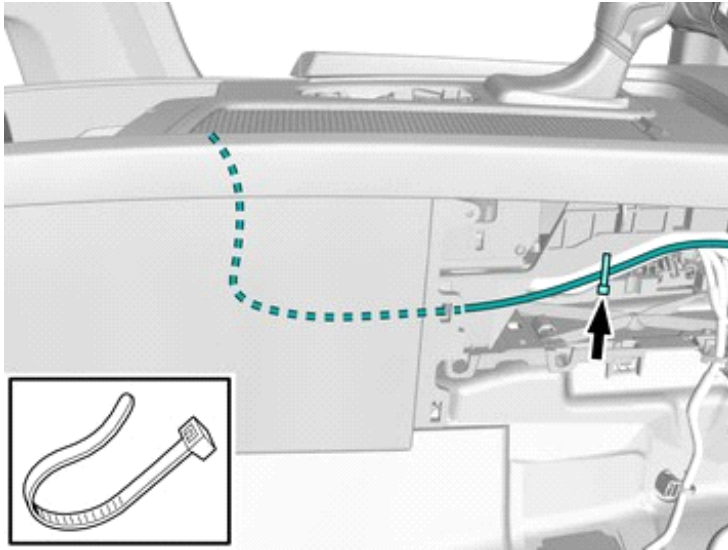
Volvo Car Corporation Gothenburg, Sweden

33



IMG-447085

34



IMG-447152

Pull the wiring through.

Install the cable.

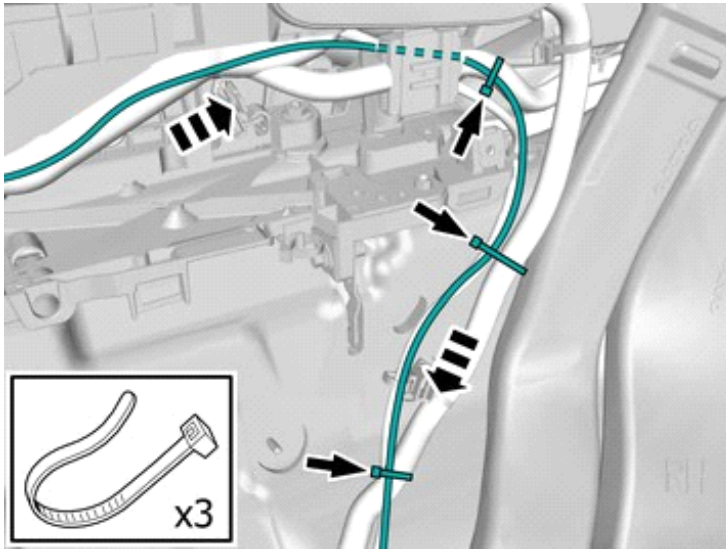
Use a cable tie



Installation instructions, accessories

Volvo Car Corporation Gothenburg, Sweden

35



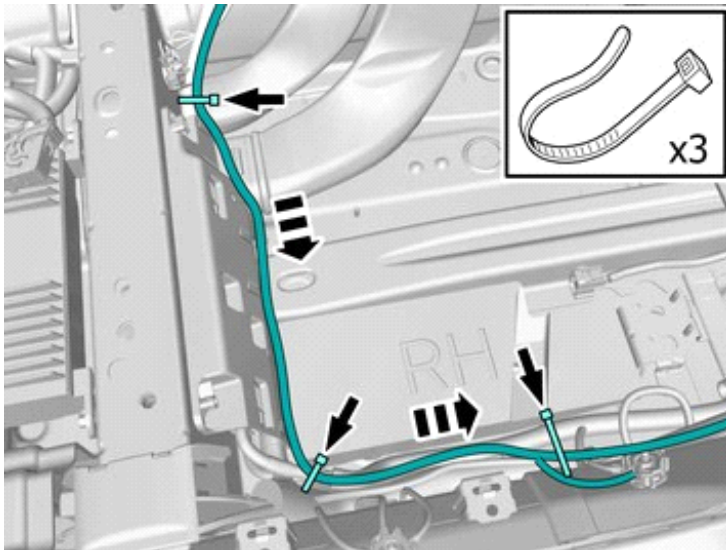
IMG-447157

Position/route the cable as illustrated.

Install the cable.

Use a cable tie

36



IMG-447158

Position/route the cable as illustrated.

Install the cable.

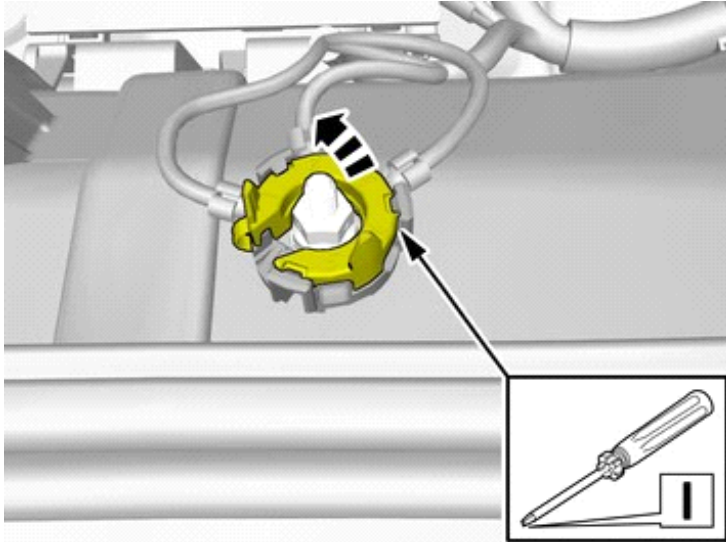
Use a cable tie



Installation instructions, accessories

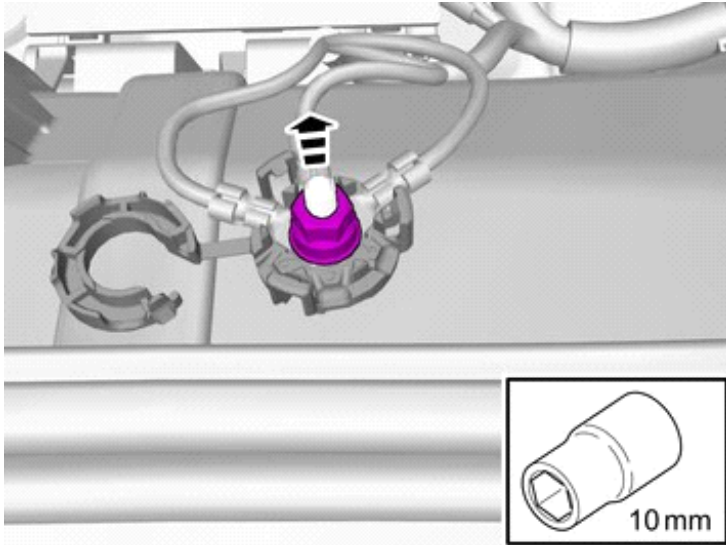
Volvo Car Corporation Gothenburg, Sweden

37



IMG-388631

38



IMG-388638

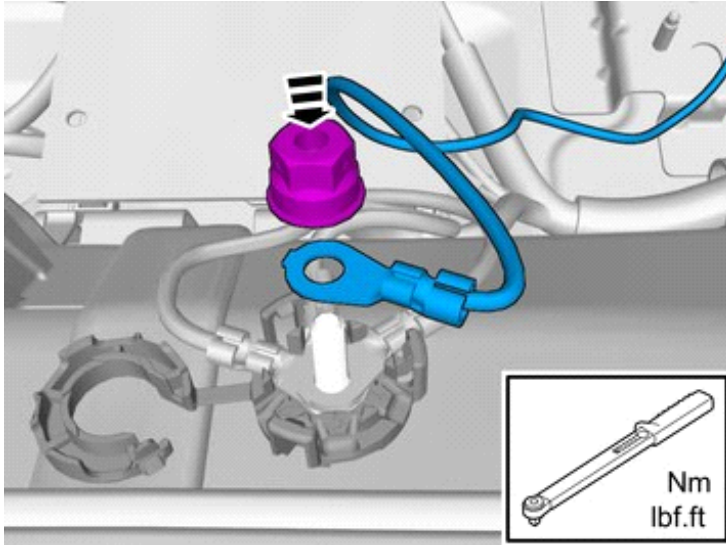
Remove the nut.



Installation instructions, accessories

Volvo Car Corporation Gothenburg, Sweden

39



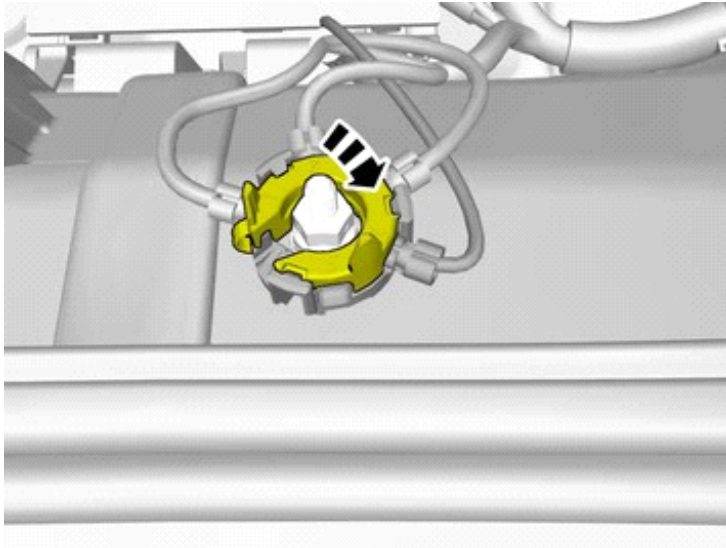
IMG-388639

Connect the prerouted cable.

Install the nut.

Tightening torque: M6 , 10 Nm

40



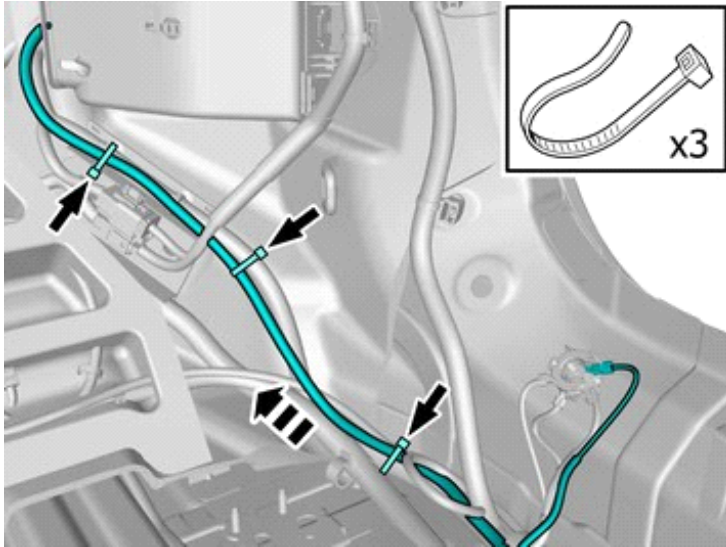
IMG-388633



Installation instructions, accessories

Volvo Car Corporation Gothenburg, Sweden

41



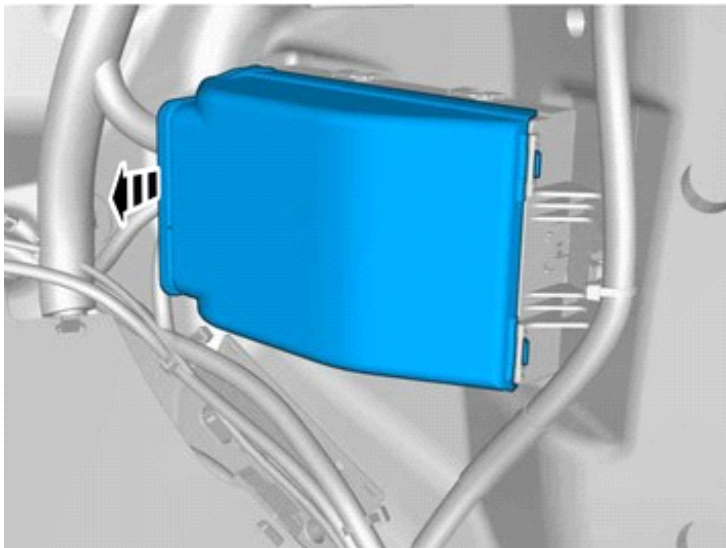
IMG-447160

Position/route the cable as illustrated.

Install the cable.

Use a cable tie

42



IMG-419346

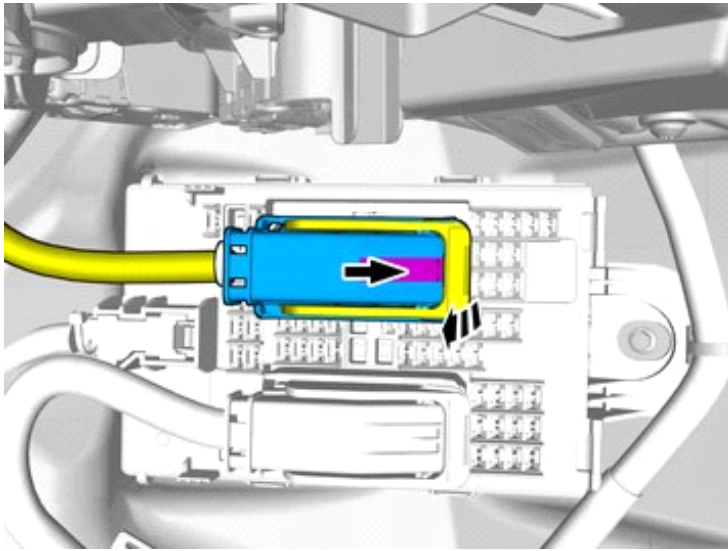
Remove the marked part.



Installation instructions, accessories

Volvo Car Corporation Gothenburg, Sweden

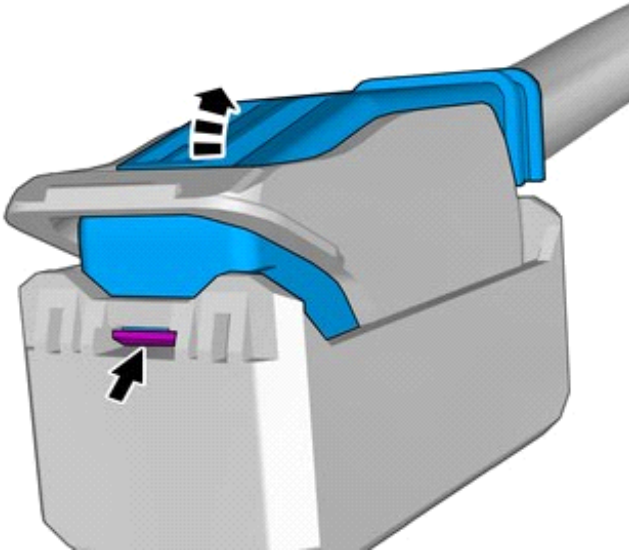
43



IMG-446330

Release the connector's catch.

44



IMG-419701

Depress the locking device.

Remove the marked part.

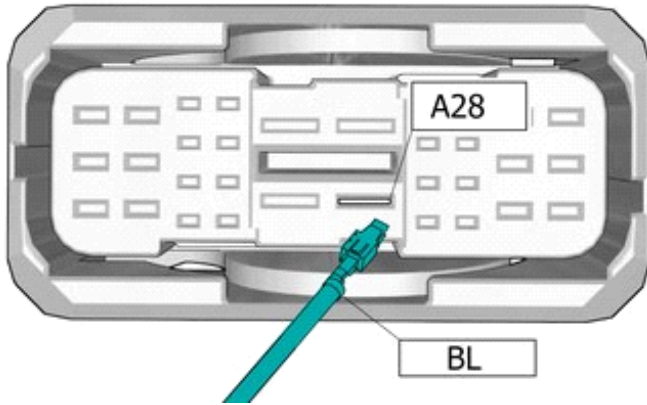


Installation instructions, accessories

Volvo Car Corporation Gothenburg, Sweden

45

Connect the cable.

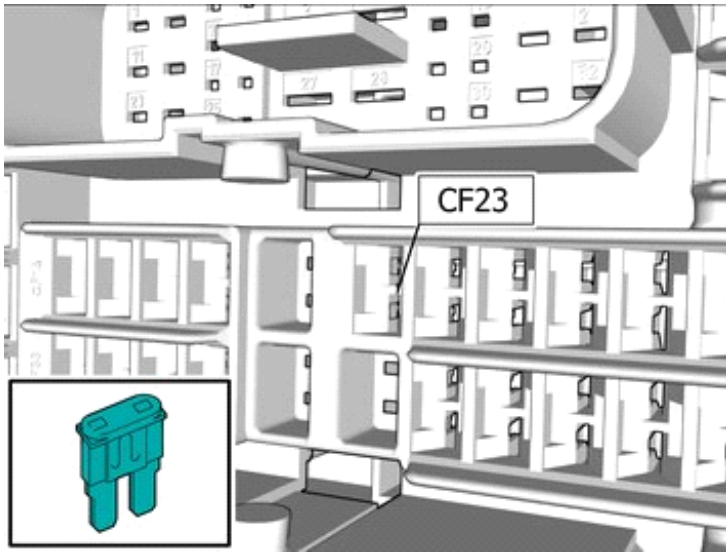


IMG-448986

46

Install component that comes with the accessory kit.

On some vehicles fuse might be premounted.



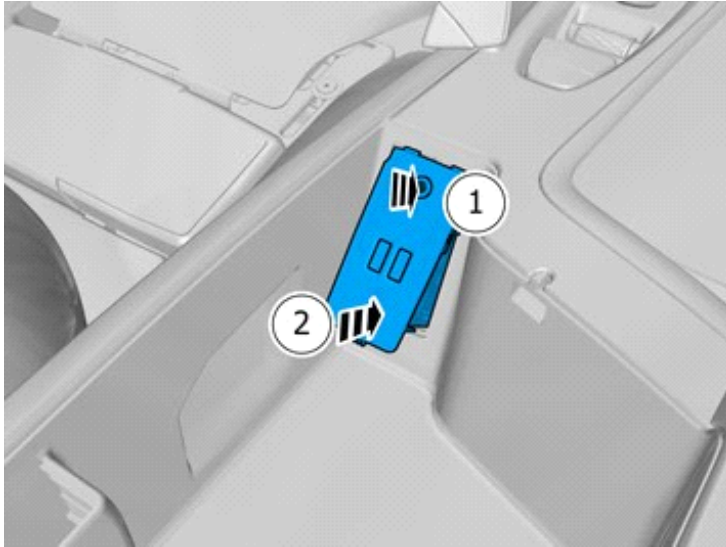
IMG-448165



Installation instructions, accessories

Volvo Car Corporation Gothenburg, Sweden

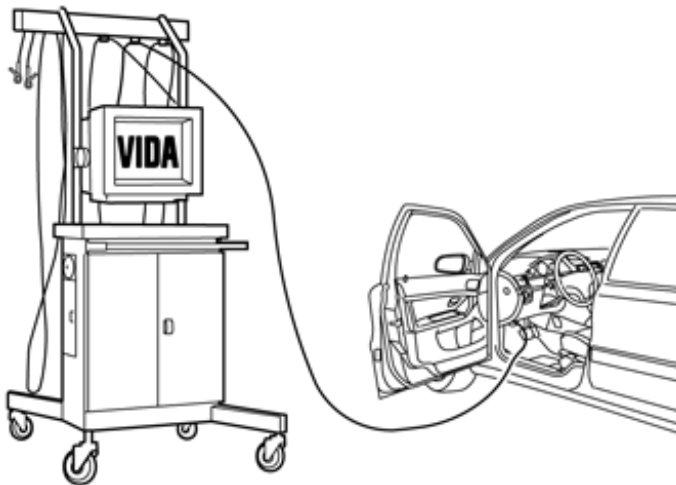
47



IMG-438528

Install the marked component.

48



IMG-242268

Download software (application) for the accessory's function according to the service information in VIDA. See VIDA or the accessories catalogue for software part number.

First, download the software for USB, then Smartphone Integration.

Installation

49

Reinstall the removed parts in reverse order.