



DTC (Code) P242A-15 Codigo:	Bulletin: RD18-002 Date Fecha: July 9, 2018
Description: Exhaust Gas Temperature Sensor Bank 1 Sensor 3 - Circuit Short To Battery or Open	
Application: US13 – US20 Emissions	

General Information

These repair instructions are intended to address the following fault(s):

DTC	Description	Possible Cause	Possible (Observable) Symptoms
P242A-15	Exhaust Gas Temperature Sensor Bank 1 Sensor 3	<ul style="list-style-type: none"> • Connector • Open circuit, Signal wire • Open circuit, Ground wire • Short circuit to voltage supply, signal wire • Wiring harness between component connector and electronic control unit (ECU) connector • Exhaust Gas Temperature (EGT) Sensor • Aftertreatment Control Module (ACM) 	Regeneration not possible

Required Parts

Part Number	Description	Quantity
21225020	Exhaust Gas Temperature (EGT) Sensor	1

Repair Instructions

Exhaust Gas Temperature (EGT) Sensor, Replacement

Removal

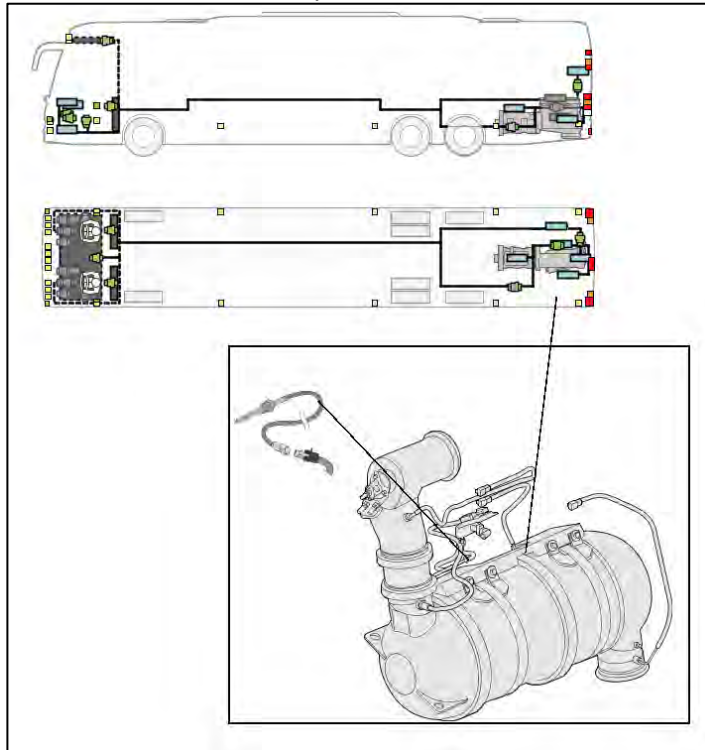
1. Apply the parking brake and place I-Shift shifter in neutral.
2. Open the battery compartment access doors.
3. Disconnect all cables from ground (negative) battery terminals to prevent personal injury from electrical shock and prevent damage to electrical components.
4. Open the rear engine service doors.
5. Remove or pull back insulation to access exhaust temperature sensor.
6. Cut cable ties.
7. Remove clamps and disconnect the wiring harness connector from the exhaust temperature sensor.



DTC (Code) P242A-15
Codigo:

Bulletin: RD18-002
Date Fecha: July 9, 2018

8. Remove the defective temperature sensor.



Installation

1. Clean the exhaust temperature sensor contact surface.
2. Install the replacement exhaust temperature sensor.
3. Reconnect the wiring harness connector to the exhaust temperature sensor and install clamps.
4. Secure the wiring harness with cable ties.
5. Reconnect all previously removed cables to the negative (ground) battery terminals.
6. Start the engine and check for function and leaks.
7. Connect Tech Tool to the vehicle. Use Guided Diagnostics to read and clear any diagnostic trouble codes (DTCs).
8. Install insulation, if removed.
9. Close the battery compartment access doors.
10. Close the rear engine service doors.

Additional Resources

These repairs are the most likely fix for the identified fault, if this does not fix the issue, Tech Tool will need to be used for more detailed diagnostics. If filing a warranty claim, please include the ASIST case number.

Labor Code	
2589-03-02-03	0.6
Causal Part	21225020