

Subject		Market	
<b>Blind Spot Monitor Sensor Angle Confirmation</b>		USA	
Service Category		Section	
Audio/Visual/Telematics		Park Assist/Monitoring	
Applicability			
All Models with BSM			

**APPLICABLE VEHICLES**

2020-2021	Mirai	2018-2020	Sienna
2016-2021	Land Cruiser	2018-2021	Camry
2017-2018	iM	2016-2021	Avalon
2016-2021	Avalon HV	2017-2021	Highlander
2017-2019	Yaris	2017-2021	Highlander HV
2018-2021	Tacoma	2018-2021	Tundra
2020-2021	Corolla HV	2016-2021	RAV4
2019-2021	Corolla Hatchback	2017-2021	Prius Prime
2016-2021	RAV4 HV	2017-2021	Corolla
2018-2021	Sequoia	2018-2021	Camry HV
2016-2020	Prius C		

**CONDITION**

The blind spot monitor (BSM) sensor angle inspection is used to confirm that the BSM sensor is within the specified angle before performing axis beam adjustment.

When used in conjunction with the repair manual, these BSM tips leverage SSTs and readily available tools to support sensor angle confirmation in varying shop environments.

**RECOMMENDATIONS**

**Vertical Angle Check** – Confirming the BSM sensors vertical angle is the first step to ensure correct sensor position.

**Notice:** Before beginning BSM sensor angle inspection, complete all pre-work as stated in the applicable repair manual.

1. Remove the rear bumper cover to access BSM sensors.

Subject

**Blind Spot Monitor Sensor Angle Confirmation**

Market

USA

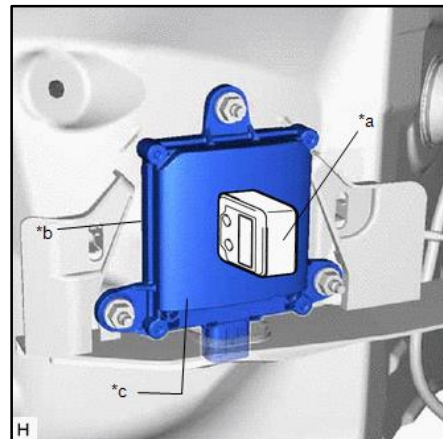
Applicability

**RECOMMENDATIONS**

- Power on the digital angle gauge from SST kit (PN 00816-00103) and be sure it is set to "Absolute Mode". ABS will be displayed in the upper right corner of the display.

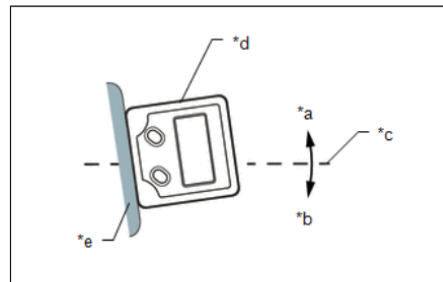


- Set the digital angle gauge to the outward facing surface of the blind spot monitor sensor.



- Confirm the vertical angle of the blind spot monitor sensor is as specified in the Repair Manual.

Hint: Observe if the angle gauge reading is positive or negative as indicated by the display arrow.



*a	(+)
*b	(-)
*c	Horizontal Line
*d	Digital Angle Gauge
*e	Outward Facing Surface

Subject

**Blind Spot Monitor Sensor Angle Confirmation**

Market

**USA**

Applicability

**RECOMMENDATIONS**

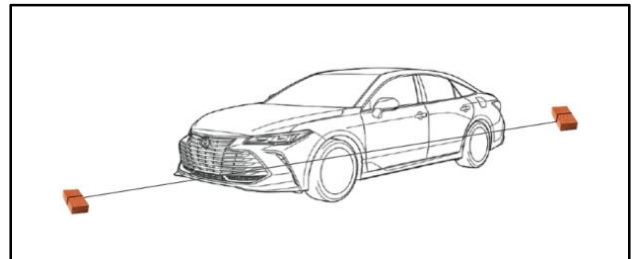
**Horizontal Angle Check** – Confirming the BSM sensors horizontal (“y”) angle is the second step to ensure correct sensor position.

Hint: **Method A** is recommended if using the paper template method to place the reflector. **Method B** is recommended if using a perpendicular line to place the reflector **or** if the vehicle body structure or brackets interfere with the use of a plumb bob.

**A. Measure the “y” value with the vehicle centerline.**

1. Mark the vehicle centerline.

Hint: For help marking the vehicle center line, refer to Tech Tip T-TT-0503-18 or applicable Repair Manual.



2. Using a plumb bob, mark the **inner** most mounting stud location on the floor.



Subject

# Blind Spot Monitor Sensor Angle Confirmation

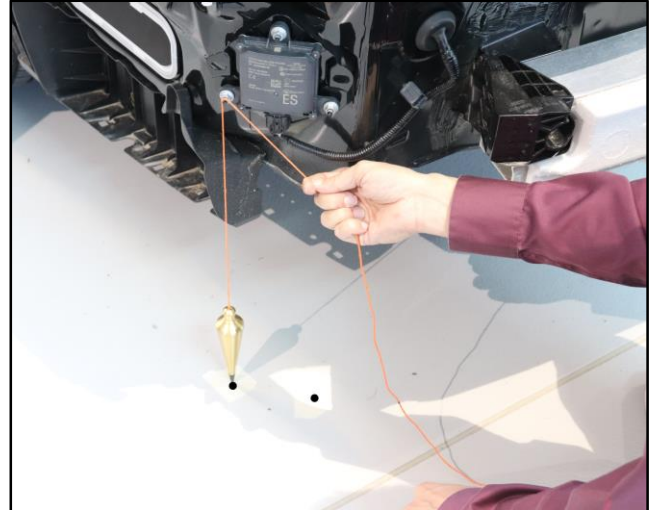
Market

USA

Applicability

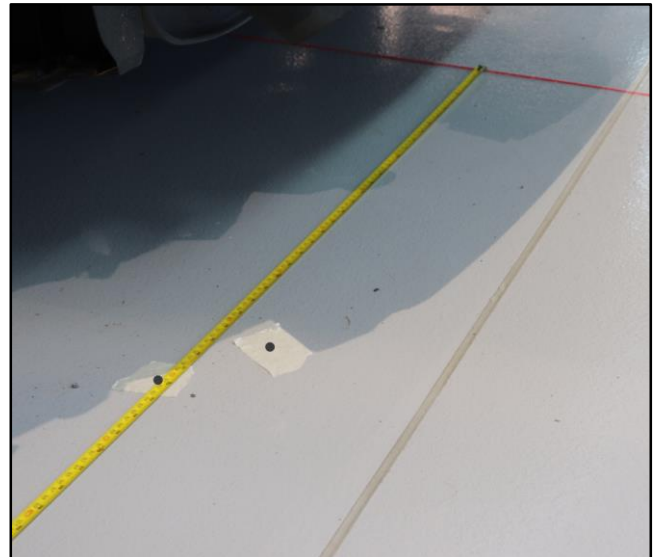
## RECOMMENDATIONS

- Using a plumb bob, mark the **outer** most mounting stud location on the floor.



- Determine **distance A** by measuring from the **outer** most mark to the vehicle centerline.

Hint: Hold tape measure as level and square to the center line as possible.



Subject

**Blind Spot Monitor Sensor Angle Confirmation**

Market

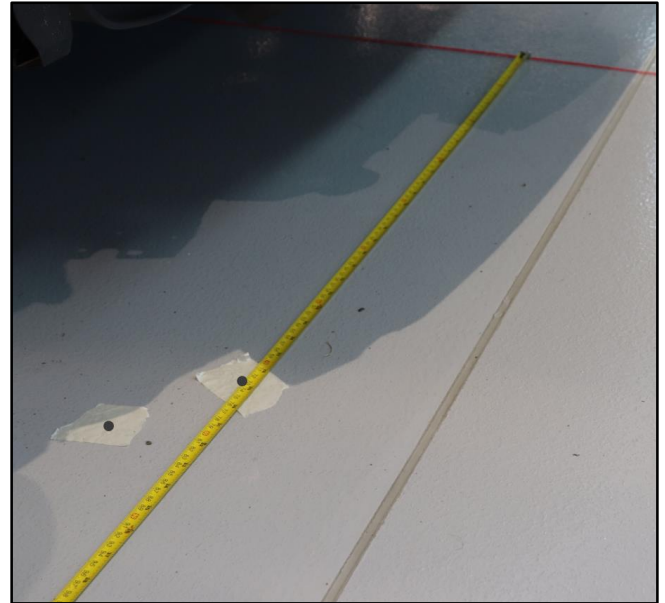
USA

Applicability

**RECOMMENDATIONS**

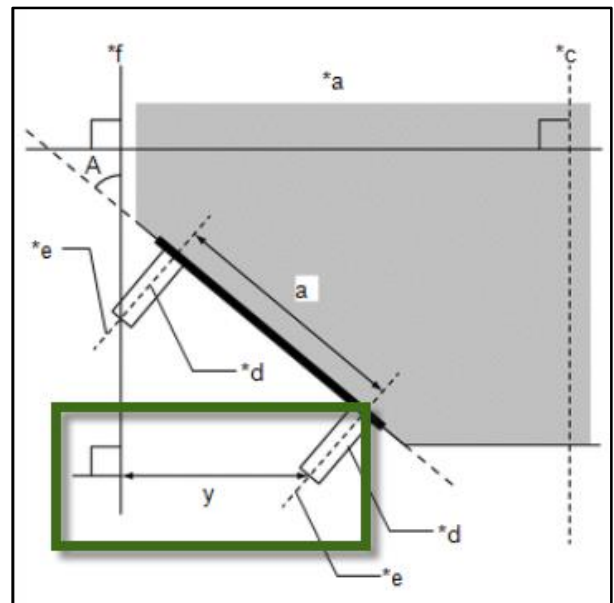
- Determine **distance B** by measuring from the **inner** most mark to the vehicle centerline.

Hint: Hold tape measure as level and square to the center line as possible.



- Determine the “y” value by using the formula (**distance A – distance B = “y” value**).

- Confirm that the measured “y” value is as specified in the repair manual.



Subject

# Blind Spot Monitor Sensor Angle Confirmation

Market

USA

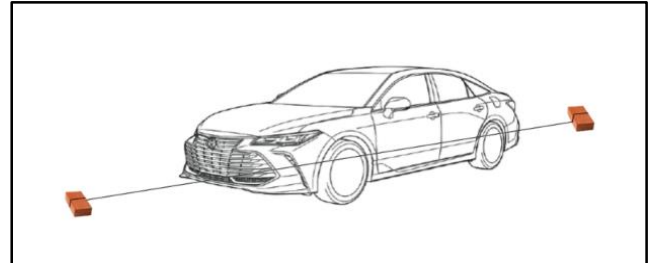
Applicability

## RECOMMENDATIONS

### B. Measuring the “y” value with a 90-degree laser.

1. Mark the vehicle centerline.

Hint: For help marking the vehicle center line, refer to Tech Tip T-TT-0503-18 or applicable Repair Manual.



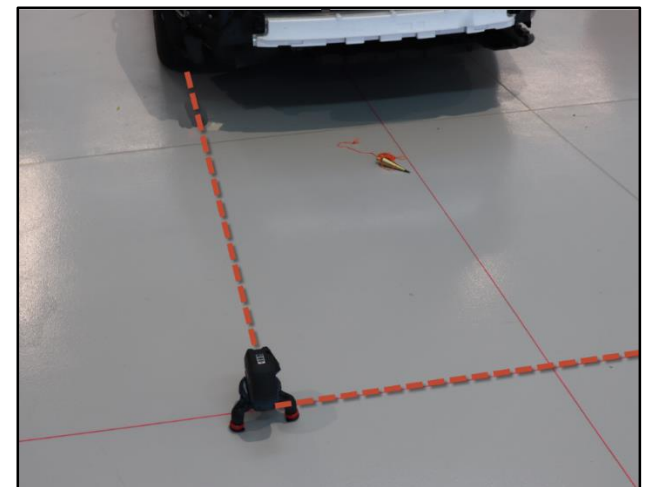
2. Mark the perpendicular line.

Hint: For help marking the perpendicular line, refer to Tech Tip T-TT-0503-18 or applicable Repair Manual.



3. Create the “target line” by using the 90 degree laser from the SST kit (PN 00816-00103).

Hint: For help marking the “target line,” refer to the perpendicular line section in Tech Tip T-TT-0503-18 (L-TT-0245-18).



Subject

# Blind Spot Monitor Sensor Angle Confirmation

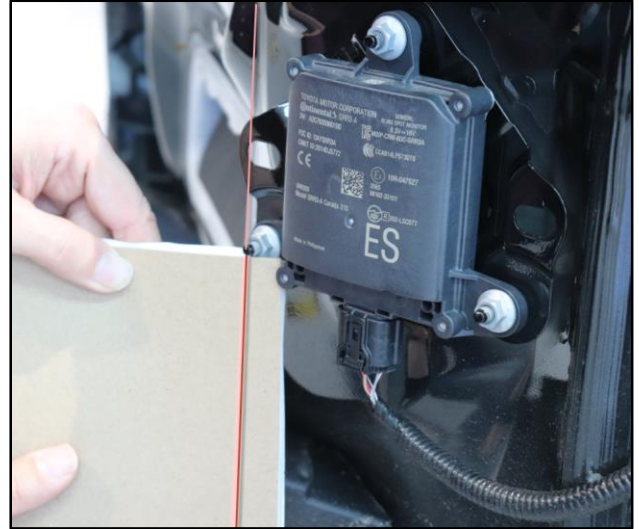
Applicability

Market

**USA**

## RECOMMENDATIONS

- Align the laser so one beam is aligned with the perpendicular line, the other beam is aligned with the outer most sensor mount stud.



- Measure from inner stud (away from the center of the vehicle) to the laser line mark on the tape measure.

**Notice:** This measurement is the “y” value.

**Hint:** Hold the measuring tool as level and square to the centerline as possible.



Subject

**Blind Spot Monitor Sensor Angle Confirmation**

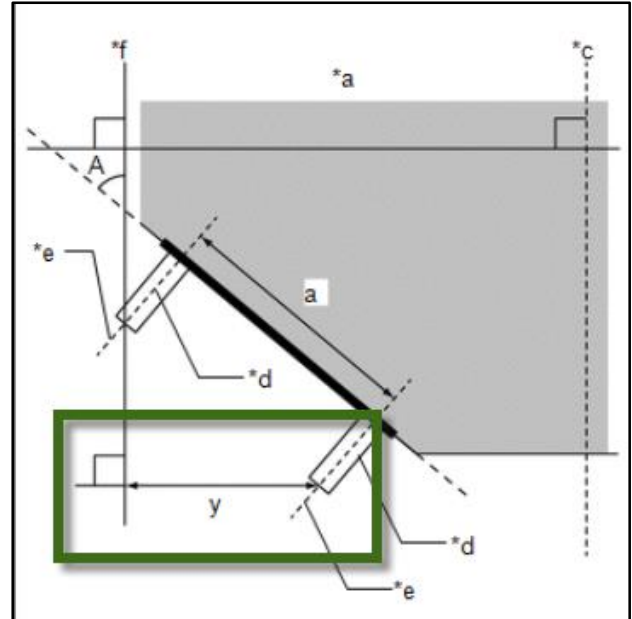
Market

USA

Applicability

**RECOMMENDATIONS**

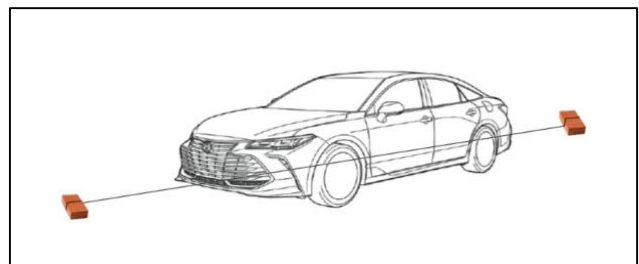
6. Confirm that the measured “y” value is as specified in the Repair Manual.



**C. Measure the “y” value with a parallel line.**

1. Mark the vehicle centerline.

Hint: For help marking vehicle center line, refer to Tech Tip T-TT-0503-18 (L-TT-0245-18) or applicable Repair Manual.



2. Mark the perpendicular line.

Hint: For help marking the perpendicular line, refer to Tech Tip T-TT-0503-18 or applicable Repair Manual.





Subject

# Blind Spot Monitor Sensor Angle Confirmation

Market

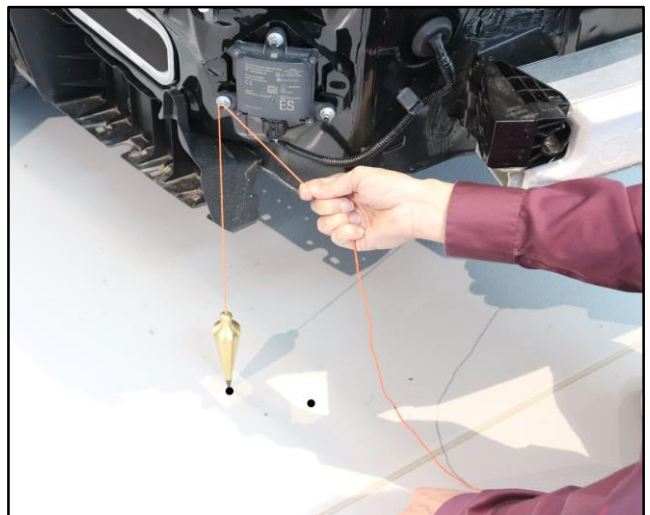
USA

Applicability

- Using a plumb bob, mark the inner most mounting stud location on the floor.



- Using a plumb bob, mark the outer most mounting stud location on the floor.



Subject

# Blind Spot Monitor Sensor Angle Confirmation

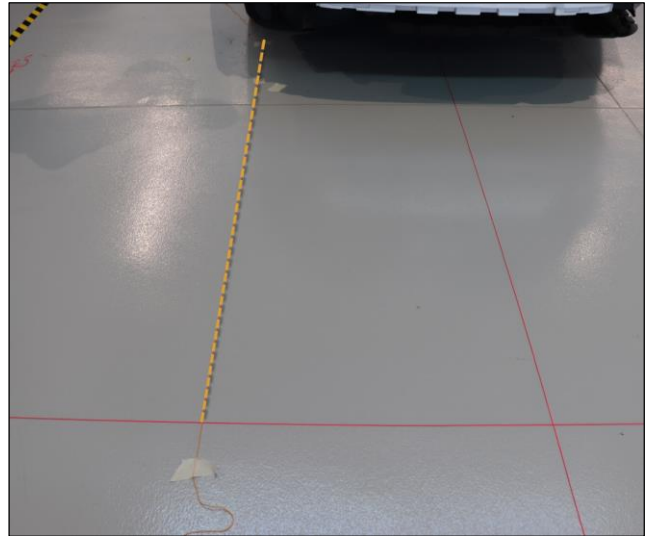
Market

USA

Applicability

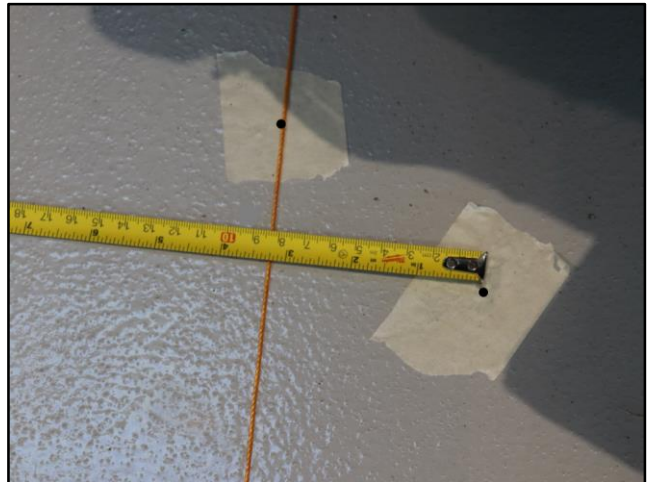
5. Create the "target line" from the perpendicular line to the outermost mounting stud location.

Hint: For help marking the "target line," refer to the perpendicular line section in Tech Tip T-TT-0503-18 (L-TT-0245-18).



6. Measure the distance from the innermost mark to the target line.

Notice: This measurement is the "y" value.



Subject

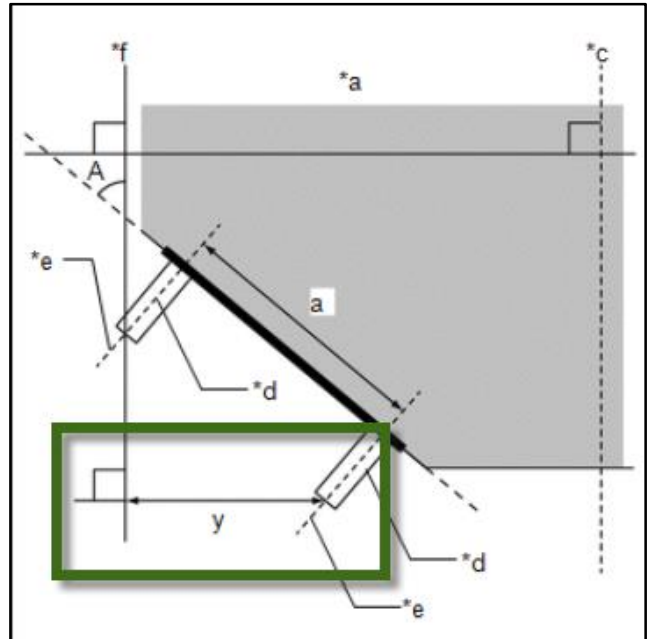
**Blind Spot Monitor Sensor Angle Confirmation**

Market

USA

Applicability

- 7. Confirm that the measured “y” value is as specified in the Repair Manual.



**LINK REFERENCES**

This Tech Tip does not contain any link references