

Floor Mat Installation During Pre-Delivery Service (PDS)

Service Category General

Section Pre-Delivery Service

Market USA

Toyota Supports
ASE Certification 

Applicability

YEAR(S)	MODEL(S)	ADDITIONAL INFORMATION
2021	ES300H, ES350, GX460, IS300, IS350, LC500, LC500H, LS500, LS500H, LX570, NX300, NX300H, RC F, RC300, RC350, RX350, RX450H, UX200, UX250H	

Introduction

2021 model year Lexus vehicles are equipped with driver side floor mat retaining hooks (clips) to secure the floor mat in the correct position. In addition, some models may also utilize retaining hooks (clips) for passenger side and rear seat floor mats. During Pre-Delivery Service (PDS), follow the Installation Procedure in this bulletin to attach the driver side, and if applicable, the passenger side and rear seat floor mats to the vehicle carpet using the floor mat retaining hooks (clips).

CAUTION

- **ALWAYS** verify the floor mat is designed specifically for the model and model year it is being installed in.
- **ONLY** use floor mats that can be secured using the retainers. **ALL** OEM Lexus floor mats are specifically designed to fit correctly and be secured using the retainers.
- **Make sure** the floor mat is properly placed on the vehicle carpet and secured with the retaining hooks (clips). If the driver side floor mat is **NOT** properly placed and secured, it could slip and interfere with the movement of the pedals during driving and may cause an accident.
- **Verify** the operation of the accelerator, brake, and clutch (if equipped) pedals and clearance to the mat.
- **NEVER** install more than one floor mat at a time in the driver's seating position.
- If applicable, **ANY** secondary set of floor mats (based upon customer preference, such as the all-weather floor mats or other floor mats) **MUST** be placed in the trunk with **ALL** the packaging material intact. **Do NOT** install the secondary mat on top of the primary floor mat already installed in the driver's seating position.

Warranty Information

OP CODE	DESCRIPTION	TIME	OFF	T1	T2
N/A	Not Applicable to Warranty	–	–	–	–

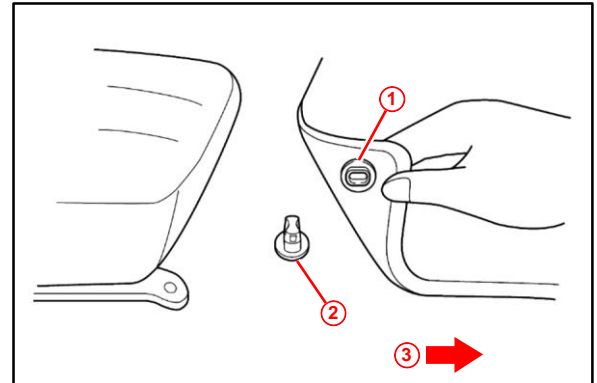
Floor Mat Installation During Pre-Delivery Service (PDS)

Installation Procedure

Use only floor mats designed specifically for vehicles of the same model and model year as your vehicle. Fix them securely in place onto the carpet.

1. Insert the retaining hooks (clips) into the floor mat eyelets.

Figure 1.



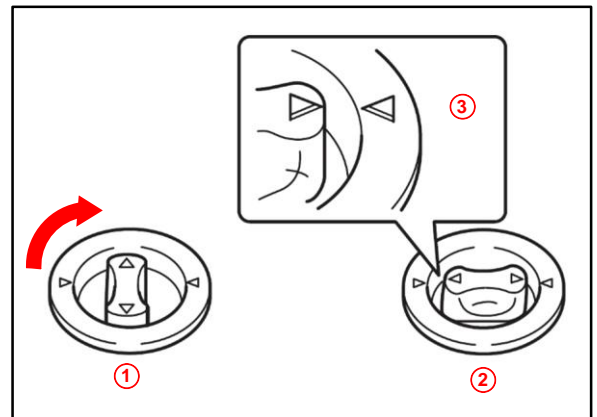
1	Retention Clip Eyelet on Floor Mat
2	Retention Clip
3	Front of Vehicle

2. Turn the upper knob of each retaining hook (clip) to secure the floor mats in place.

NOTE

- Always align the triangle marks.
- The shape of the retaining hooks (clips) may differ from that shown in the illustration.

Figure 2.



1	Twist Knob
2	Knob in Locked Position
3	Align Triangle Marks




Floor Mat Installation During Pre-Delivery Service (PDS)

Installation Procedure (continued)

3. Verify proper installation.

NOTE
 If applicable, do NOT remove the yellow caution tag from the floor mat. ONLY the customer should remove the caution tag.

Figure 3.

⚠ CAUTION ⚠	⚠ PRECAUCIÓN ⚠
<ul style="list-style-type: none"> Use this floor mat for driver's side only. This floor mat was designed specifically for use in this model and model year vehicle and SHOULD NOT be used in any other vehicle. To prevent the floor mat from shifting, the floor mat should be attached securely to the floor with the retention clips. To properly use the retention clips, turn the knobs on the clips to the lock position as shown in the following illustration. The floor mat MUST BE installed directly on the carpeted floor of the vehicle and properly secured with the retention clips. The floor mat should NEVER be installed on top of another floor mat. NEVER place the floor mat in the vehicle upside-down or backwards. 	<ul style="list-style-type: none"> Use este tapete únicamente para el lado del conductor. Este tapete fue diseñado específicamente para usarse en este modelo y año de vehículo, y NO DEBE usarse en ningún otro vehículo. Para evitar que el tapete se mueva, el tapete debe ceñirse al piso de manera segura con los sujetadores de retención. Para usar correctamente los sujetadores de retención, gire las perillas en los sujetadores a la posición de bloqueo como se muestra en la siguiente ilustración. El tapete DEBE instalarse directamente al piso alfombrado del vehículo y ceñirse correctamente con los sujetadores de retención. El tapete NUNCA debe instalarse encima de otro tapete. NUNCA coloque el tapete en el vehículo boca abajo o al revés.
	
<p>ALWAYS ALIGN MARK SIEMPRE ALIGNE LAS MARCAS TOUJOURS ALIGNER LES MARQUES قم دائماً بترصف العلامة</p> <div style="display: flex; justify-content: space-around;"> <div style="text-align: center;">  <p>FRONT FRENTÉ AVANT أمام</p> <p>UNLOCK DESBLOQUEAR DÉVERROUILLER افتح</p> </div> <div style="text-align: center;">  <p>LOCK BLOQUEAR VERROUILLER أغلق</p> </div> </div>	
TFMT - IC0001	