



RECALL CAMPAIGN BULLETIN

Classification: EM20-001a	Reference: NTB20-027a	Date: April 24, 2020
------------------------------	--------------------------	-------------------------

VOLUNTARY EMISSIONS RECALL CAMPAIGN 2018 ALTIMA AND ROGUE; EXHAUST MANIFOLD AND THREE WAY CATALYST ASSEMBLY

This bulletin has been amended. See **AMENDMENT HISTORY** on the last page.
Discard previous versions of this bulletin.

CAMPAIGN ID #: PC717
APPLIED VEHICLES: 2018 Altima (L33)
 2018 Rogue (T32)
APPLIED ENGINE: QR25DE (4-cyl engine)

**Check Service COMM or Dealer Business Systems (DBS)
National Service History to confirm campaign eligibility.**

INTRODUCTION

Nissan is conducting this voluntary emissions recall campaign on certain specific model year 2018 Altima and Rogue vehicles. The exhaust manifold and three way catalyst assembly and two exhaust sensors will be replaced. This service will be performed at no charge to the customer for parts or labor.

IDENTIFICATION NUMBER

Nissan has assigned identification number PC717 to this campaign. This number must appear on all communication and documentation of any nature dealing with this campaign.

DEALER RESPONSIBILITY

It is the dealer's responsibility to check Service COMM or Dealer Business Systems (DBS) National Service History for the campaign status on each vehicle falling within the range of this voluntary emissions recall which for any reason enters the service department. This includes vehicles purchased from private parties or presented by transient (tourist) owners and vehicles in a dealer's inventory. **Federal law requires that new vehicles in dealer inventory which are the subject of an emissions recall must be corrected prior to sale. Failure to do so can result in civil penalties.** While federal law applies only to new vehicles, Nissan strongly encourages dealers to correct any used vehicles in their inventory before they are retailed.

Nissan Bulletins are intended for use by qualified technicians, not 'do-it-yourselfers'. Qualified technicians are properly trained individuals who have the equipment, tools, safety instruction, and know-how to do a job properly and safely. **NOTE:** If you believe that a described condition may apply to a particular vehicle, DO NOT assume that it does. See your Nissan dealer to determine if this applies to your vehicle.

IMPORTANT

Attention California Dealers

An Emission Recall Campaign Completion (ERCC) label must be filled out by the technician performing the repair, and then attached to the underside of the vehicle hood. A sample of the label is shown below.

Technician: Fill in here following:
 "Replaced exhaust manifold and three-way catalyst assembly, and two exhaust sensors per campaign ID # PC717"

Fill in "DEALER CODE" and "DATE"
 Put "ARB/EPA" under "CHANGE AUTHORITY"

NISSAN MOTOR CORPORATION	
AUTHORIZED MODIFICATIONS	
THE FOLLOWING MODIFICATIONS HAVE BEEN MADE:	
THESE MODIFICATIONS HAVE BEEN APPROVED AS APPROPRIATE BY EPA AND CARB	
DEALER CODE:	DATE:
CHANGE AUTHORITY:	NIS-UHL-16

Figure 1

California law prohibits owners from renewing their California registration if emissions related recall work has not been performed. California dealers are now required to issue a proof of correction certificate to vehicle owners upon completion of emissions related recall work. Please fill out one of the campaign completion forms for each owner that has this campaign performed. Instruct owners to keep this certificate unless they are requested to mail it to the DMV. A sample of the form is shown in Figure 2 below.

Orange colored

Vehicle Emission Recall - Proof of Correction				
License Number	Make	Model Year	Body Type	Vehicle Identification Number □□□□□□□□□□□□□□□□
Manufacturer _____			Recall Number _____	
The above described vehicle has been repaired, modified and/or equipped with new emission control devices to meet applicable California Emission Control Laws.				
Dealer's Name _____		Address, City, State, Zip _____		
Date _____		Dealership's Authorized Signature X _____		
Return this certificate to DMV <u>only</u> when required - otherwise retain for your records.				
CAEMRC 1-20				

Figure 2

NOTE:

- These forms (item number **CAEMRC 1-20**) and labels (item number **NIS-UHL-16**) are available from Nissan Publications (1-800-247-5321) at no charge.
- When either item (form or label) is ordered, you will automatically receive the other item as well.

SERVICE PROCEDURE

IMPORTANT: Follow all cautions, warnings, and notes in the Electronic Service Manual (ESM) when working on or around the engine.

1. Replace the following:

- Exhaust manifold and three-way catalyst assembly
 - Air fuel ratio (A/F) sensor 1
 - Heated (rear) oxygen sensor 2
- Altima: For exhaust manifold and three-way catalyst replacement, go to the ESM, section **ENGINE - ENGINE MECHANICAL - QR25DE - REMOVAL AND INSTALLATION - EXHAUST MANIFOLD AND THREE WAY CATALYST.**
- Rogue: For exhaust manifold and three-way catalyst replacement, go to the ESM, section **ENGINE - ENGINE MECHANICAL - REMOVAL AND INSTALLATION - EXHAUST MANIFOLD AND THREE WAY CATALYST.**

Altima - Exhaust Manifold and Three Way Catalyst

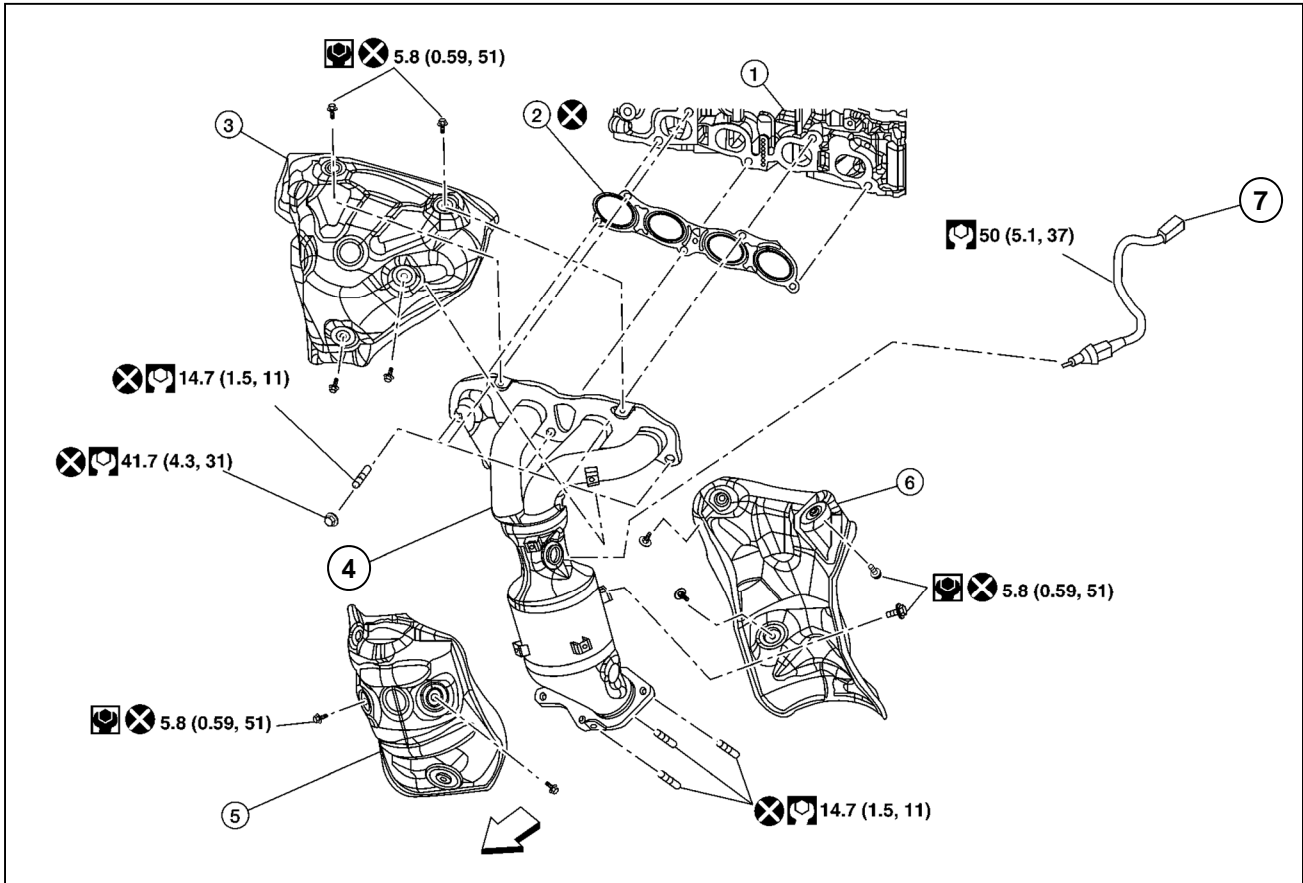


Figure 3

1. Cylinder head	2. Exhaust manifold gasket	3. Exhaust manifold cover (upper)
4. Exhaust manifold and three way catalyst assembly	5. Exhaust manifold cover (lower front)	6. Exhaust manifold cover (lower rear)
7. Air fuel ratio (A/F) sensor 1		

Altima - Exhaust System

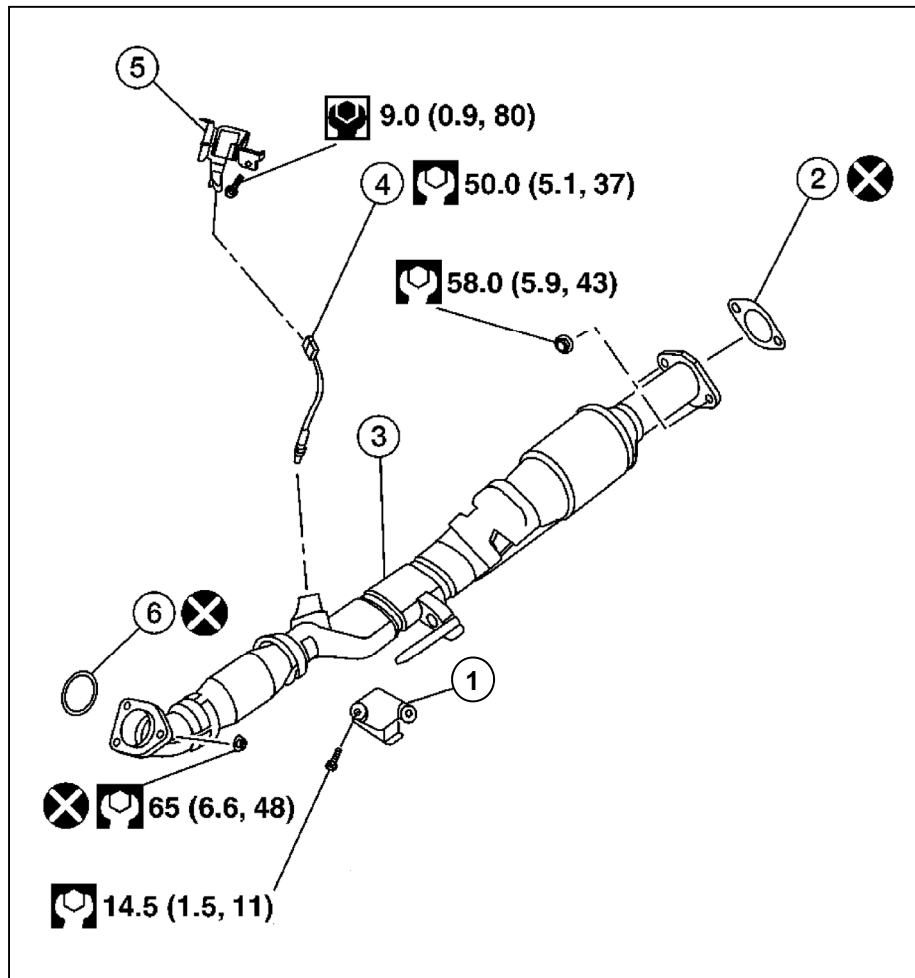


Figure 4

1. Front exhaust tube hanger	2. Gasket	3. Front exhaust tube
4. Oxygen sensor	5. Oxygen sensor bracket	6. Ring gasket

Rogue - Exhaust Manifold and Three Way Catalyst

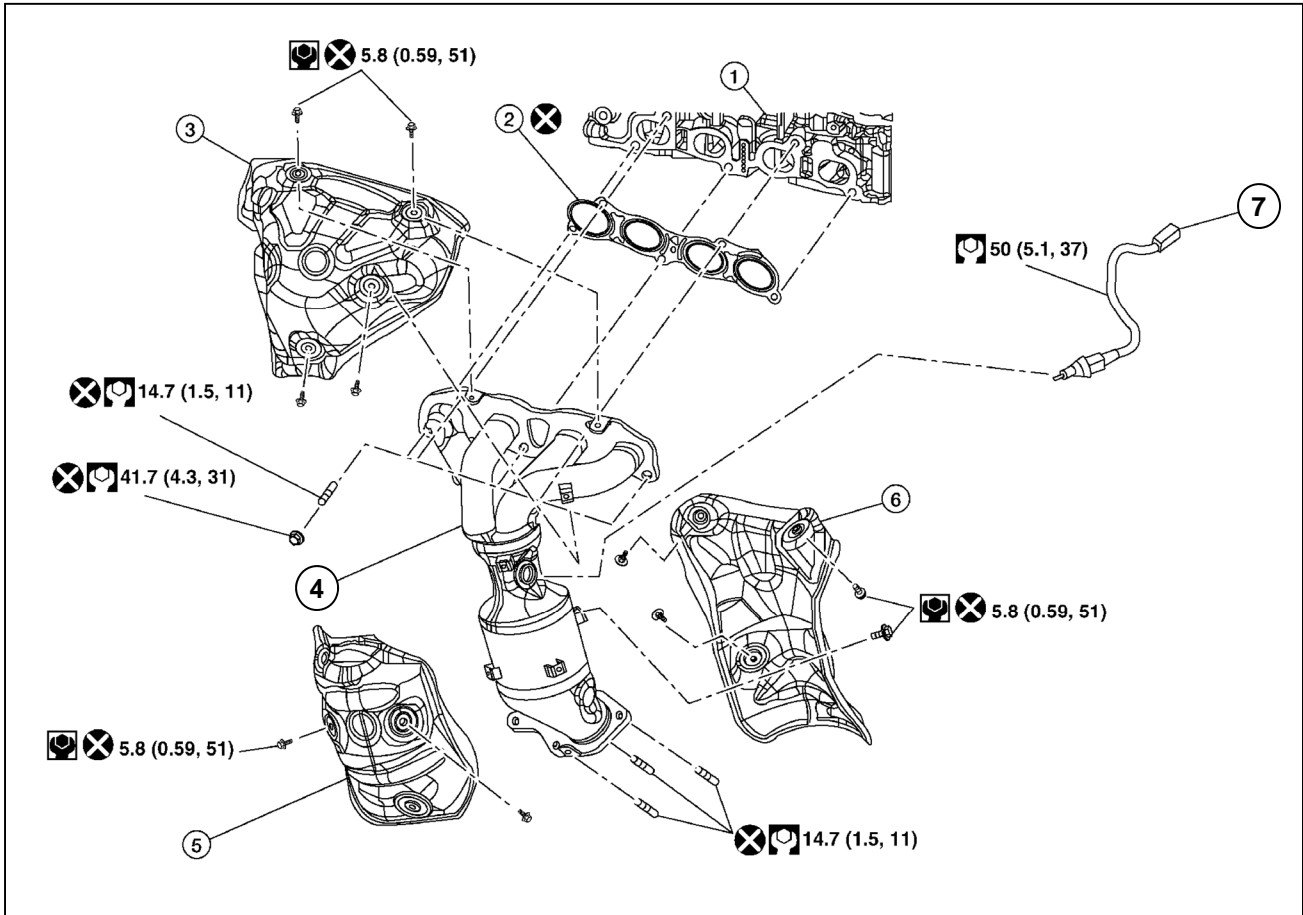


Figure 5

1. Cylinder head	2. Exhaust manifold gasket	3. Exhaust manifold cover (upper)
4. Exhaust manifold and three way catalyst assembly	5. Exhaust manifold cover (lower front)	6. Exhaust manifold cover (lower rear)
7. Air fuel ratio (A/F) sensor 1		

Rogue - Exhaust System

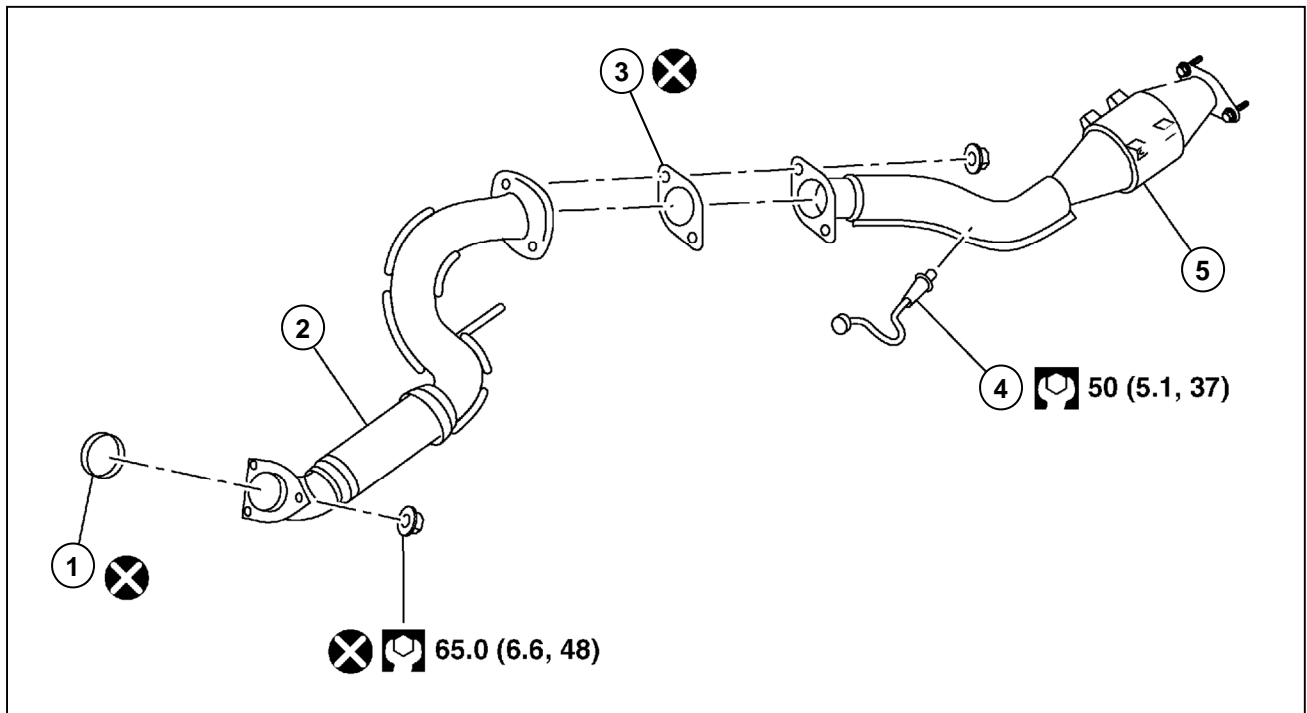


Figure 6

1. Ring gasket	2. Front exhaust tube	3. Exhaust gasket
4. Heated oxygen sensor rear	5. Center exhaust tube	

PARTS INFORMATION

Altima

DESCRIPTION	PART NUMBER	QUANTITY
MANIFOLD ASSY - EXHAUST W / CATALYST	140E2-9HS0A	1
STUD	14064-ZX60A	5
NUT	14094-9BA0A	5
GASKET - EXHAUST MANIFOLD	14036-3TA0B	1
STUD	14064-JG30B	3
NUT	01223-N0021	3
BOLT	14069-JD70A	11
GASKET - EXHAUST	20691-19U0A	1
GASKET - EXHAUST	20692-24U0A	1
AIR FUEL RATIO SENSOR	22693-3TY0B	1
HEATED OXYGEN SENSOR	226A0-3TA0B	1

Rogue

DESCRIPTION	PART NUMBER	QUANTITY
MANIFOLD ASSY - EXHAUST W / CATALYST (1)	140E2-6FJ0A	1
STUD	14064-ZX60A	5
NUT	14094-9BA0A	5
GASKET - EXHAUST MANIFOLD	14036-3TA0B	1
STUD	14064-JG30B	3
NUT	01223-N0021	3
BOLT	14069-JD70A	11
GASKET - EXHAUST	20691-19U0A	1
GASKET - EXHAUST	20692-8H30A	1
AIR FUEL RATIO SENSOR (2)	22693-5RB0A	1
HEATED OXYGEN SENSOR	226A0-9BF0B	1

(1) For vehicles built from 09/2016 to 08/2018.

(2) For vehicles built 09/2017 and later.

CLAIMS INFORMATION

Submit a "CM" line claim using the following claims coding:

VEHICLE	CAMPAIGN ("CM") ID	DESCRIPTION	OP CODE	FRT
Altima	PC717	Replace Exhaust Manifold And Three Way Catalyst, A/F Sensor 1, And Rear Oxygen Sensor	PC7170	1.4
Rogue			PC7171	1.2

AMENDMENT HISTORY

PUBLISHED DATE	REFERENCE	DESCRIPTION
March 31, 2020	NTB20-027	Original bulletin published
April 24, 2020	NTB20-027a	Revised the Altima P/N table in PARTS INFORMATION