

April 17, 2020

Version 1

## A/C Compressor Stator Inspection

### AFFECTED VEHICLES

Year	Model	Trim	VIN Range
2016	RDX	2WD	5J8TB3... GL006186 thru 5J8TB3...GL008996
		AWD	5J8TB4....GL007555 thru 5J8TB4...GL014320

### SYMPTOM

The A/C blows warm air after about **15 minutes** of driving.

### PROBABLE CAUSE

A failed stator in the A/C compressor is keeping the refrigerant pressure from building in the A/C system.

### CORRECTIVE ACTION

Inspect the vehicle and, based on your results, replace the stator set and, if needed, the A/C compressor and the A/C compressor clutch.

### PARTS INFORMATION

Part Name	Part Number	Quantity
Stator Set	38924-5G0-A01	1
A/C Compressor (If needed)	38810-R8A-A01	1
O-Ring (5/8")	80871-SN7-003	1
O-Ring (1/2")	80872-SN7-003	1

### REQUIRED MATERIALS

Part Name	Part Number	Quantity
Denso ND-Oil 8	38897-PR7-A01AH	1

**CLIENT INFORMATION:** The information in this bulletin is intended for use only by skilled technicians who have the proper tools, equipment, and training to correctly and safely maintain your vehicle. These procedures should not be attempted by "do-it-yourselfers," and you should not assume this bulletin applies to your vehicle, or that your vehicle has the condition described. To determine whether this information applies, contact an authorized Acura automobile dealer.

## TOOL INFORMATION

Part Name	Part Number	Quantity
A/C Clutch Holder Tool	07AAF-000A150	1

## WARRANTY CLAIM INFORMATION

The normal warranty applies.

Operation Number	Description	Flat Rate Time	Defect Code	Symptom Code	Template ID	Failed Part Number
614110	Inspect and replace the compressor assembly (A/C compressor, clutch, and stator) (includes recover and recharge).	2.8 hr	03214	03217	B20003A	38810-R8A-A01
K	with radar aiming	0.5 hr				
614110	Inspect and replace the compressor assembly (A/C compressor, clutch, and stator) (includes recover and recharge) (no radar aiming).	2.8 hr	03214	03217	B20003B	38810-R8A-A01
6141D2	Inspect and replace the stator only.	2.8 hr	03214	03217	B20003C	38924-5G0-A01
B	with radar aiming	0.5 hr				
6141D2	Inspect and replace the stator only (no radar aiming).	2.8 hr	03214	03217	B20003D	38924-5G0-A01

Skill Level: Repair Technician

## INSPECTION PROCEDURE

- Turn the ignition to ON.
- Set the climate control to the lowest temperature, or set it to the **LO** setting.
- Connect the i-HDS to the vehicle, and go to the **PGM-FI Data List**.
- With the transmission in Park, warm up the engine:
  - Hold the engine speed above **3000 rpm** until the radiator fan cycles twice.
  - Make sure **ECT 1** reads at least **175°**.
- Once the engine temperature reaches **175°**, make sure the transmission is in Park, and the climate control is set to the lowest temperature or the **LO** setting.
- Open the hood.
- Wait for the **A/C SWITCH** and **A/C CLUTCH** signals to read **ON** at the same time.

Signal	Threshold	
	Values	Unit
A/C SWITCH	ON	
A/C CLUTCH	ON	

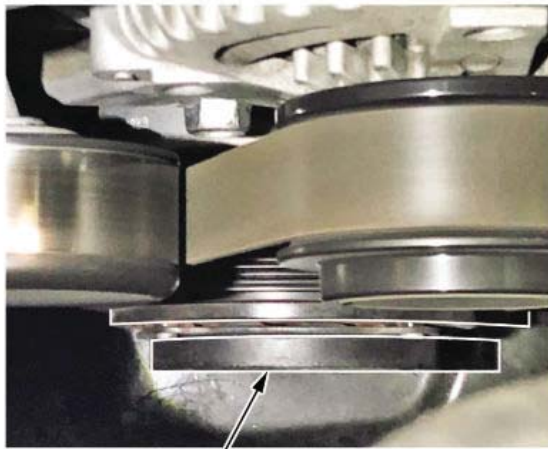
8. When both the **A/C SWITCH** and **A/C CLUTCH** signals read **ON**, watch the A/C compressor clutch pressure plate.



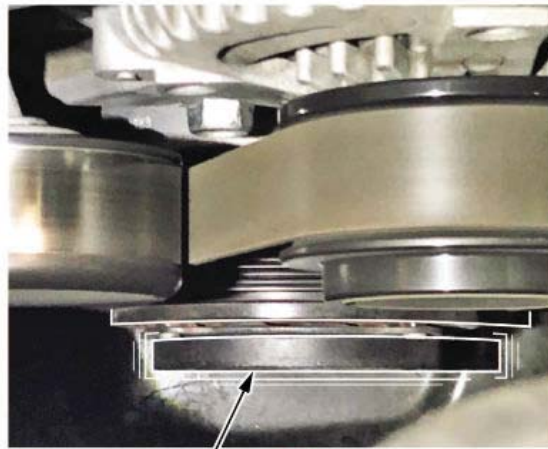
## NOTE

The A/C compressor pulley will always rotate. Specifically watch the A/C compressor clutch pressure plate when doing this inspection.

With **A/C SWITCH** and **A/C Clutch** signals reading ON:



Clutch does **not** rotate. **✗ NO GOOD**



Clutch rotates. **○ GOOD**

*Is the A/C compressor clutch pressure plate rotating?*

- **No** - If the clutch pressure plate is not rotating when the **A/C CLUTCH** signal reads **ON**, go to REPAIR PROCEDURE.
- **Yes** - If the clutch pressure plate is rotating when the **A/C CLUTCH** signal reads **ON**, this bulletin does not apply. Continue with normal system troubleshooting.

## REPAIR PROCEDURE

1. Remove the A/C compressor. See the service information.

### NOTICE

- When the A/C condenser fan is removed, be careful not to damage the radiator.
- Remember to replace the O-rings for the A/C lines, and use the PAG oil listed under REQUIRED MATERIAL to lubricate them.

2. Once the A/C compressor is removed, check the following:

**NOTE**

Most vehicles will require stator replacement only. Replace the A/C compressor and A/C clutch only if needed.

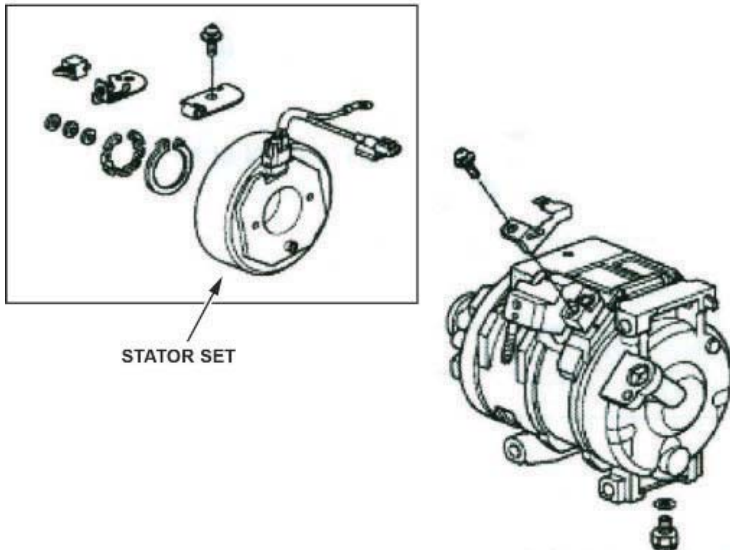
- Compressor Rotation - The compressor shaft should turn freely with a wrench or socket with minimal effort. If the compressor will not turn, feels rough when turning, or is leaking, replace the compressor assembly (compressor, clutch, and stator). Go to the service information.
- Pressure Plate Appearance - Remove the pressure plate. If there is excessive wear, roughness, or scoring, replace the compressor assembly (compressor, clutch, and stator). Go to the service information.

**NOTE**

The A/C Clutch Holder Tool (07AAF-000A150) is required to remove the pressure plate.

- Field Coil (Stator) Appearance - Remove the compressor pulley, and inspect the clutch side of the stator for signs of abnormal heating or blistering. If damage is found, replace the compressor assembly (compressor, clutch, and stator). Go to the service information.

If there is no damage or no signs of damage as listed in the three checks above, replace the stator set ONLY. Go to the service information.



3. Install all parts in the reverse order of removal. Go to the service information.

**NOTES**

- Remember to replace the O-rings on A/C lines, and use the PAG oil listed under REQUIRED MATERIAL to lubricate them.
  - If installing a new A/C compressor, follow the service information for proper refrigerant oil adjustment. No more than **50 ml (1 2/3 fl-oz)** of refrigerant oil should be drained from the new compressor.
  - Refer to service bulletin 16-050, *Air Conditioning Refrigerant and PAG/POE Oil for Warranty Repair Claims* for additional information on filling refrigerant.
4. Charge the system with refrigerant. Go to the service information.
5. Aim the millimeter wave radar if the vehicle is equipped with it. Go to the service information.

END