

LTB00836NAS7



TECHNICAL BULLETIN

20 MAR 2020

© Jaguar Land Rover North America, LLC

NOTE: The information in Technical Bulletins is intended for use by trained, professional Technicians with the knowledge, tools, and equipment required to do the job properly and safely. It informs these Technicians of conditions that may occur on some vehicles, or provides information that could assist in proper vehicle service. The procedures should not be performed by 'do-it-yourselfers'. If you are not a Retailer, do not assume that a condition described affects your vehicle. Contact an authorized Land Rover service facility to determine whether this bulletin applies to a specific vehicle.

INFORMATION

This reissue replaces all previous versions. Please destroy all previous versions.

This bulletin supersedes TSB LTB00836NAS6/2018 dated 21 SEP 2018, which should either be destroyed or clearly marked to show it is no longer valid (e.g. with a line across the page). Only refer to the electronic version of this Technical Bulletin in TOPIx.

Changes are highlighted in blue

SECTION:

501-00

SUBJECT/CONCERN:

Tailgate Trim Panel Detached From Tailgate

AFFECTED VEHICLE RANGE:

MODEL:

MODEL YEAR:

VIN:

ASSEMBLY PLANT:

MODEL:	MODEL YEAR:	VIN:	ASSEMBLY PLANT:
Discovery Sport (LC)	2015-2019	500429-830105	Halewood

MARKETS:

NORTH AMERICA

CONDITION SUMMARY:

SITUATION:

The tailgate interior trim panel may become detached from the tailgate during closing.

CAUSE:

The retaining clips are not fully engaged during assembly.

ACTION:

Follow the service instruction below.

PARTS:

PART NUMBER	DESCRIPTION	QUANTITY
LR123788	Nylon clip	9
LR001790	Metal clip	3
AYH100790	Metal clip	2
LR001080	Metal screw	2

WARRANTY:

NOTES:

- Repair procedures are under constant review, and therefore times are subject to change; those quoted here must be taken as guidance only. Use TOPIx to obtain the latest repair time.
- The JLR claims submission system requires the use of causal part numbers. Labor only claims must show the causal part number with a quantity of zero.

DESCRIPTION	SRO	TIME (HOURS)	CONDITION CODE	CAUSAL PART
Tailgate trim panel - Modification	76.34.89.40	0.4	24	LR075425
Tailgate - Alignment inspection	76.28.89.88	0.1	24	LR075425
Tailgate - Align on hinges	76.28.31	0.9	24	LR075425

NOTE:

Normal Warranty procedures apply.

SERVICE INSTRUCTION:

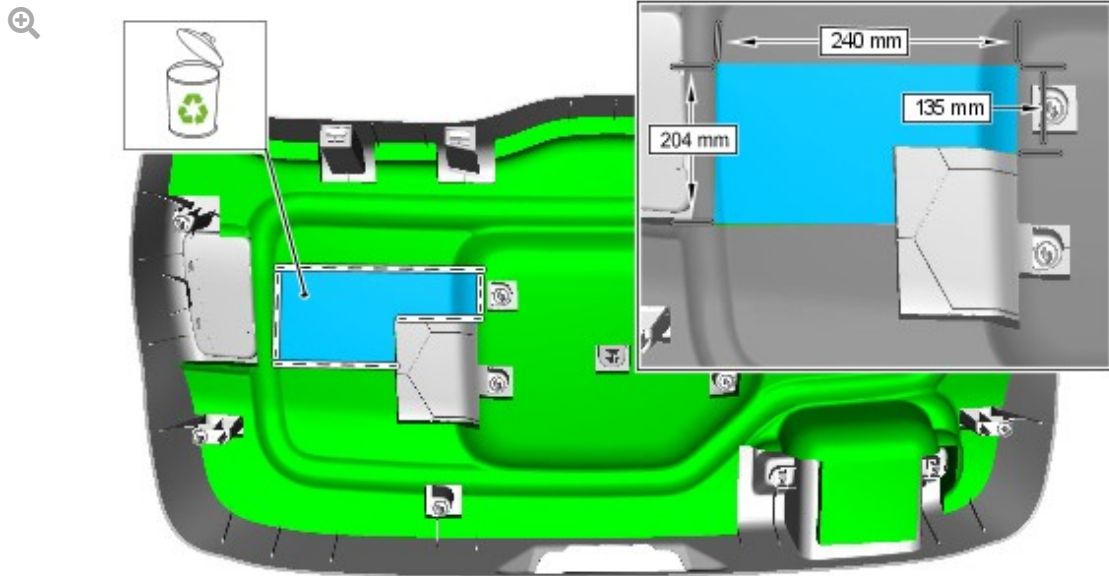
NOTES:

- Some variation in the illustrations may occur, but the essential information is always correct.
- Some components are shown removed for clarity.
- Tailgate is also known as liftgate in TOPIx Workshop Manual.

1. Inspect the alignment of the tailgate (see TOPIx Workshop Manual section 501-26: Body Repairs - Vehicle Specific Information and Tolerance Checks - Tailgate Alignment).
 - ▪ If the tailgate **does not** require alignment, **go to step 2.**
 - ▪ If the tailgate **does** require alignment, **perform the tailgate alignment procedure.**
 - ▪ When complete, **go to step 2.**

2. Remove the tailgate trim panel (see TOPIx Workshop Manual section 501-05: Interior Trim and Ornamentation).
 - ■ Discard the tailgate grab handle retaining screws.

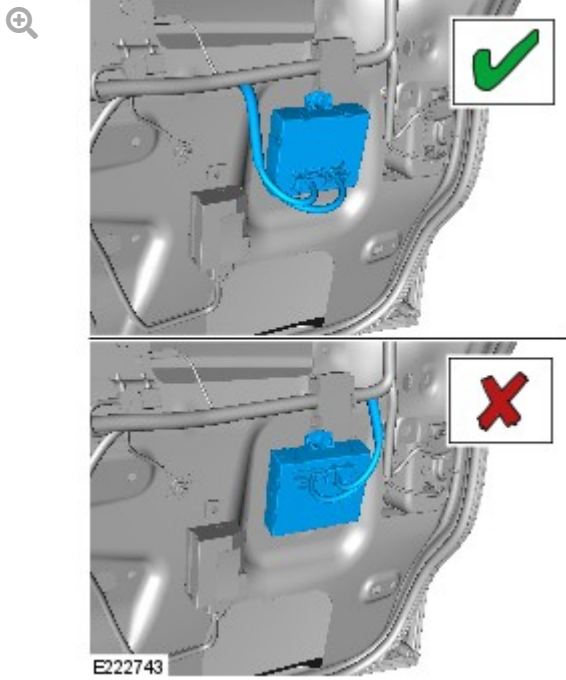
3.



E222742

Use a suitable knife to carefully remove a section of the Noise, Vibration and Harshness (NVH) material from the tailgate trim panel, as shown in the illustration.

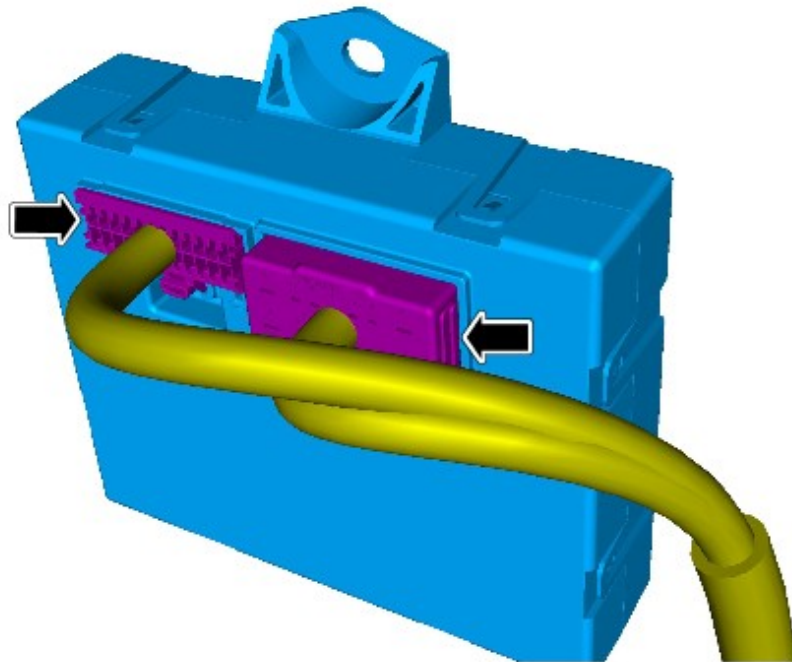
4.



The power tailgate module must be installed with the electrical connectors towards the bottom of the tailgate.

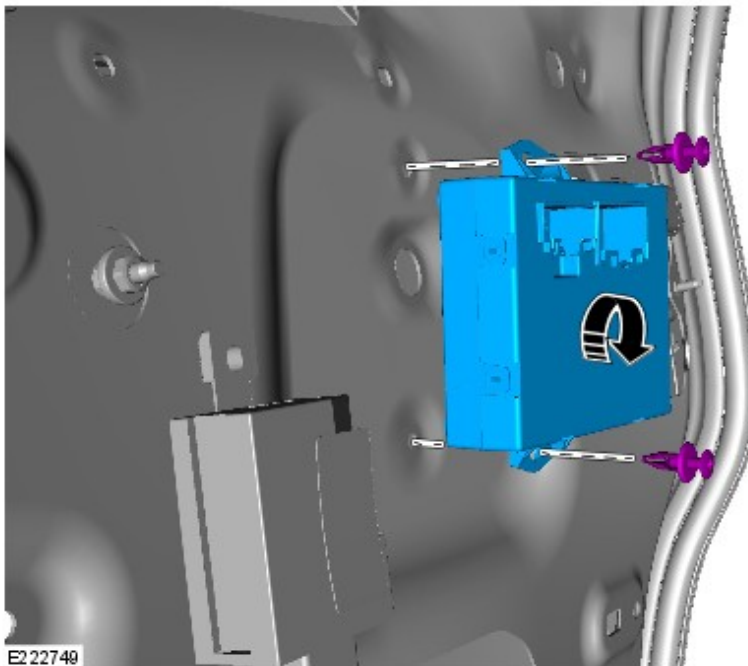
- ■ If the power tailgate module **is** installed correctly, as shown by the image with a **GREEN** (✓), go to step 9.
 - ■ If the power tailgate module **is not** installed correctly, as shown by the image with a **RED** (X), go to step 5.
-

5.



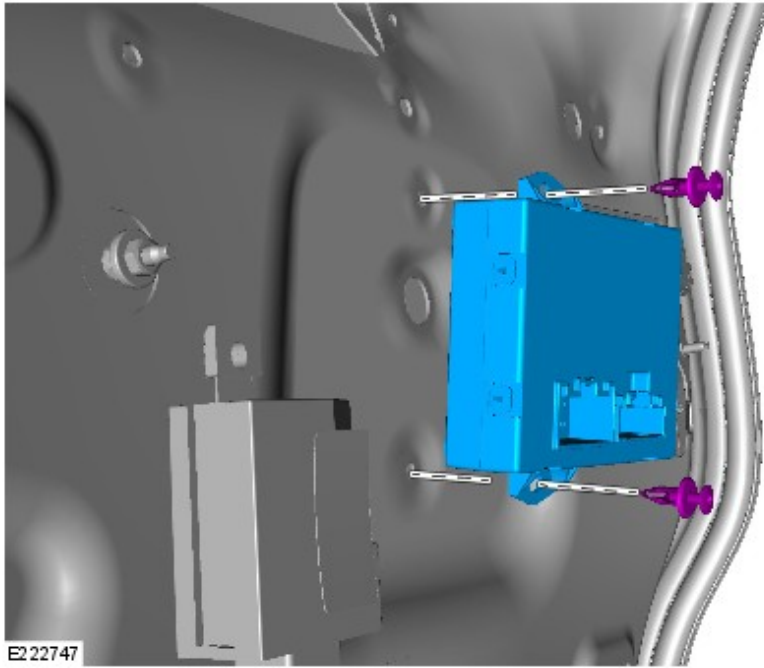
Disconnect the power tailgate module and position the electrical wiring harness to one side.

6.



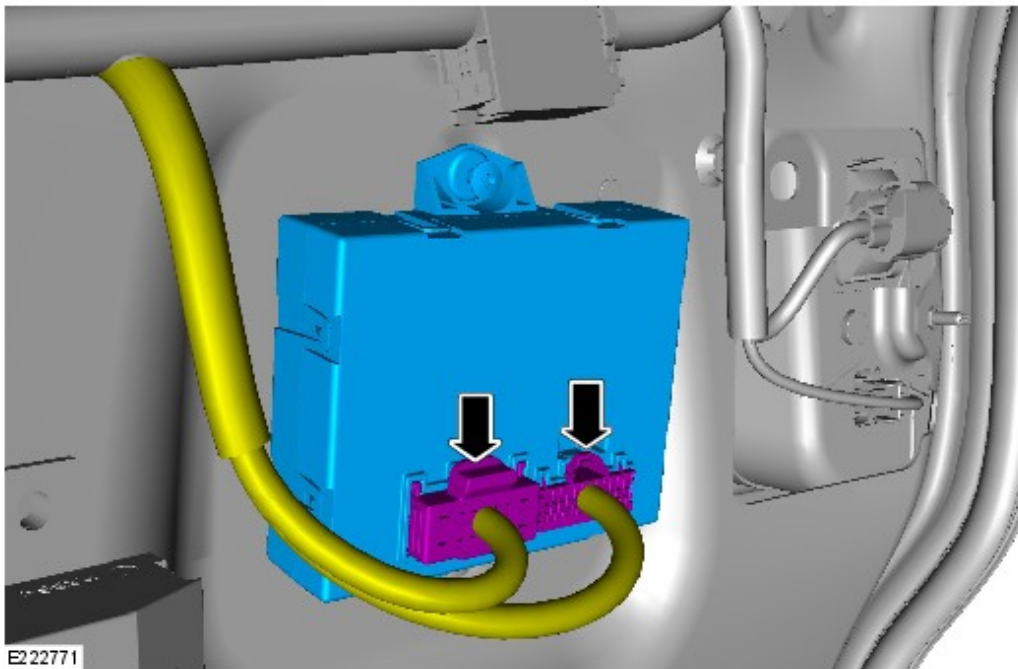
Remove the power tailgate module and rotate through 180 degrees.

7.



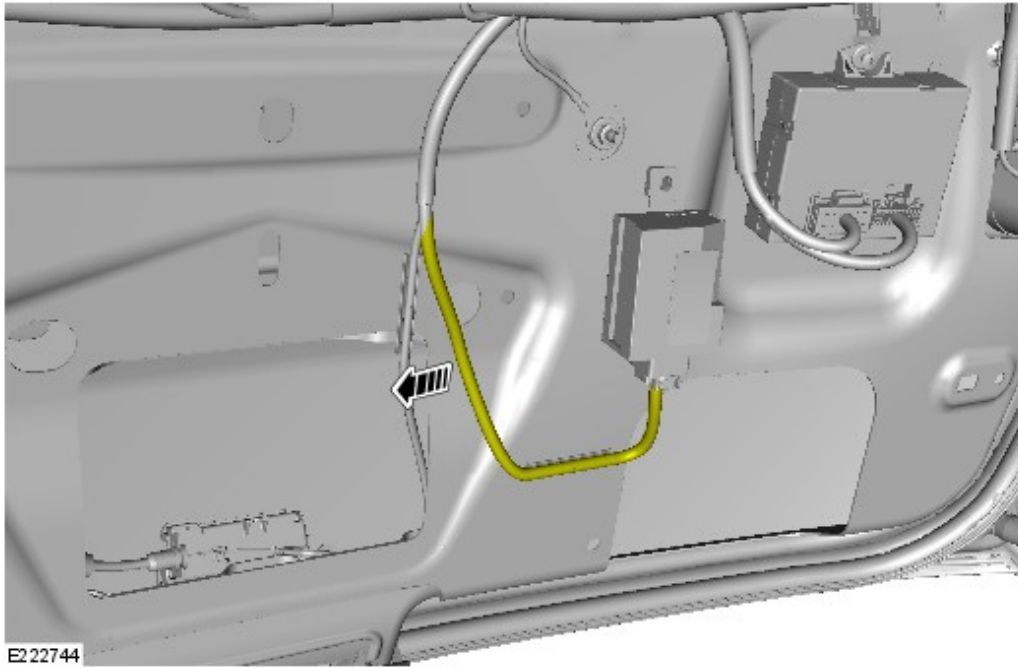
Install the power tailgate module.

8.



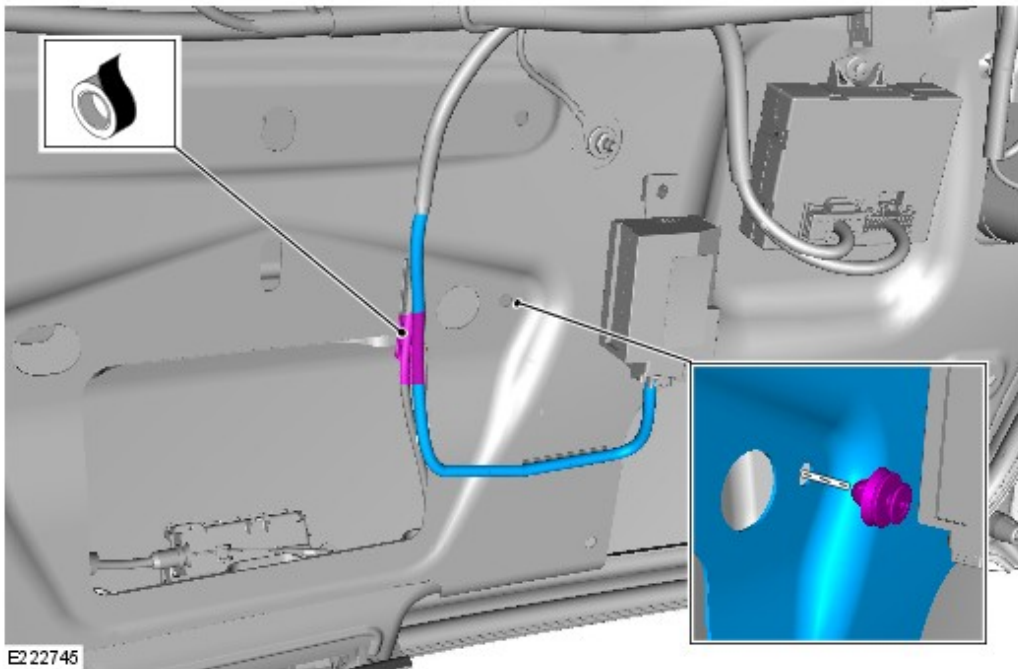
Connect the electrical wiring harness to the power tailgate module.

9.



Position the wiper relay suppression module wiring harness to the side.

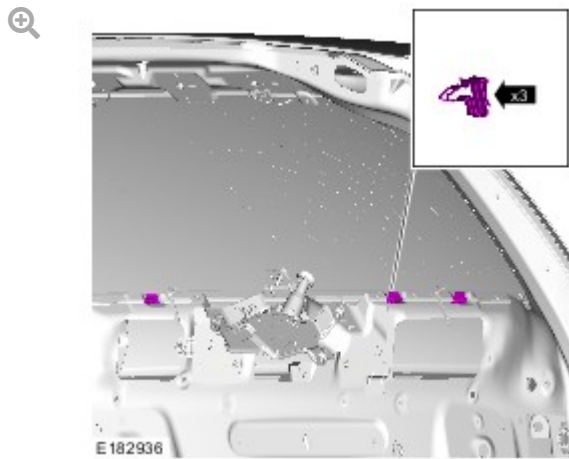
10.



Secure the wiper relay suppression module wiring harness to the tailgate wiring harness with suitable electrical tape.

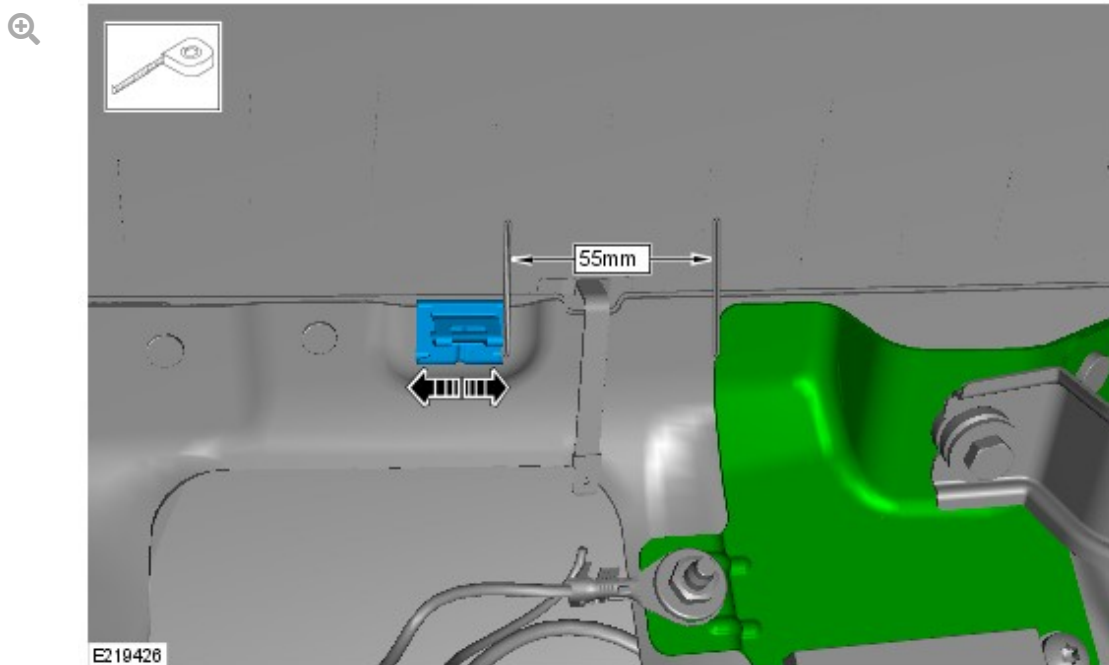
- ■ The wiring harness must be clear of the tailgate trim panel mounting hole.

11.



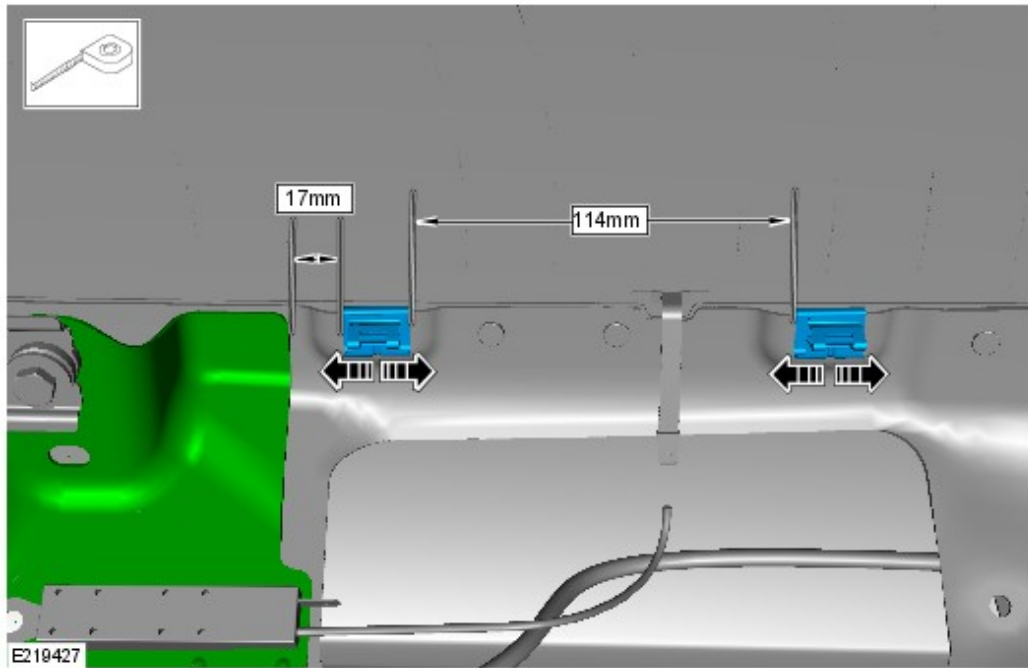
Install the 3 new tailgate trim panel clips (LR001790) to the tailgate.

12.



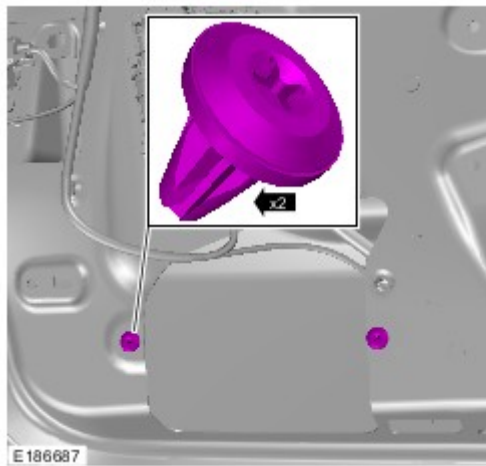
Adjust the position of the new tailgate clip as shown.

13.



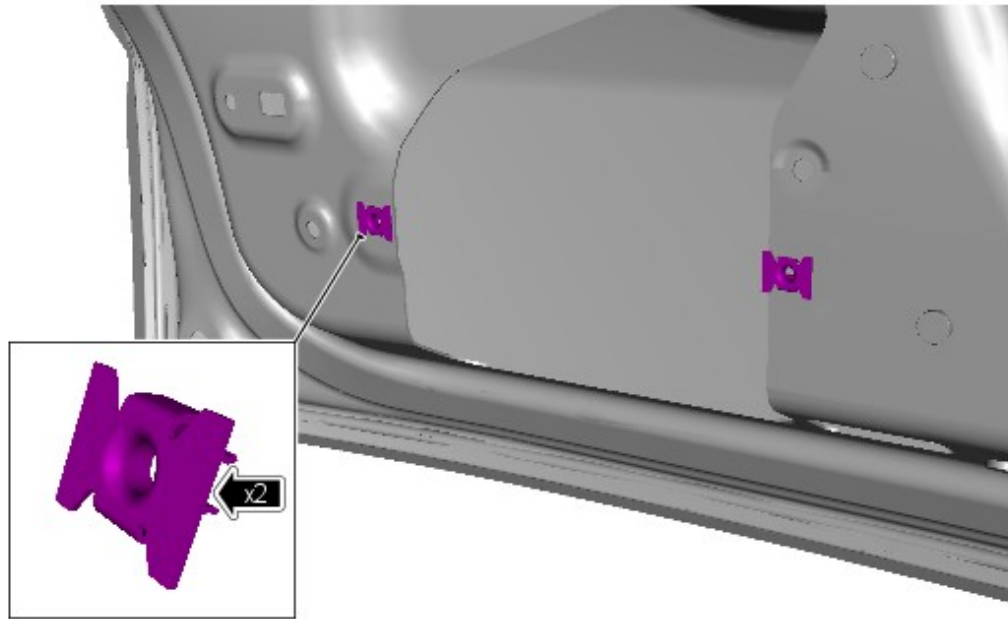
Adjust the position of the new tailgate clips as shown.

14.



Only if present: Remove and discard the 2 plastic nut inserts.

15.

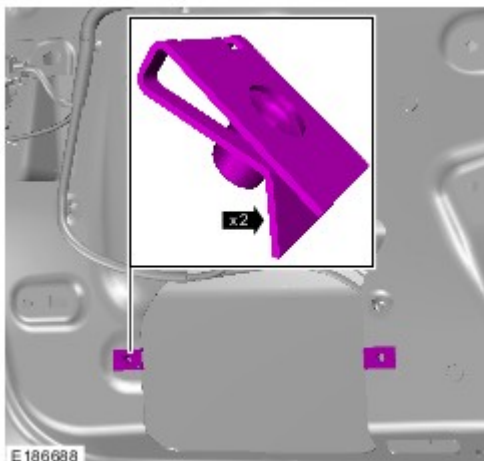


E223085

Inspect the tailgate grab handle retaining clips.

- ■ If 2 butterfly clips **are not** present and the existing clips are not loose and do retain the handle, go to step 17.
- ■ If 2 butterfly clips **are** present and are loose and/or do not retain the handle, remove and discard the butterfly clips.

16.



E186688

Install 2 new retaining clips (AYH100790).

17.



E231094

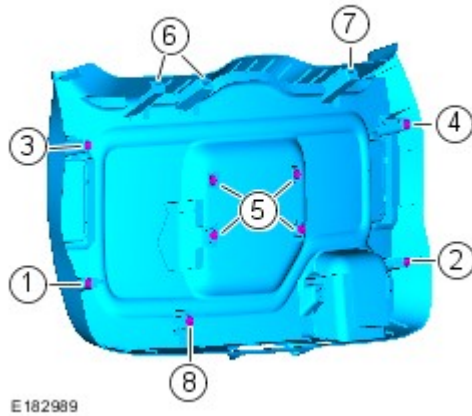
Inspect the tailgate panel retaining clips.

- **1.** If gray clips, as shown by the image with a **GREEN** (✓) are installed, go to the next step.
 - **2.** If white clips, as shown by the image with a **RED** (X) are installed, remove and discard.
 - ■ Install 9 new gray clips (✓) (LR123788).
-

18.

CAUTION:

Install the tailgate trim panel using a gradual increase of pressure over the top of the tailgate trim panel clip areas.

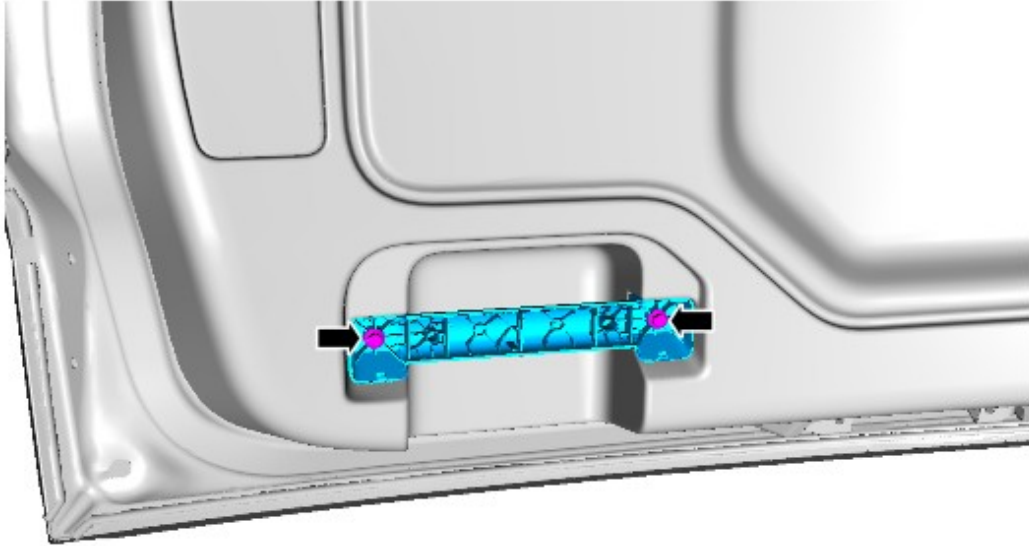


Install the tailgate trim panel into the tailgate in the order shown.

19.

NOTE:

New retaining screws (LR001080) must be used on the installation of the tailgate grab handle.

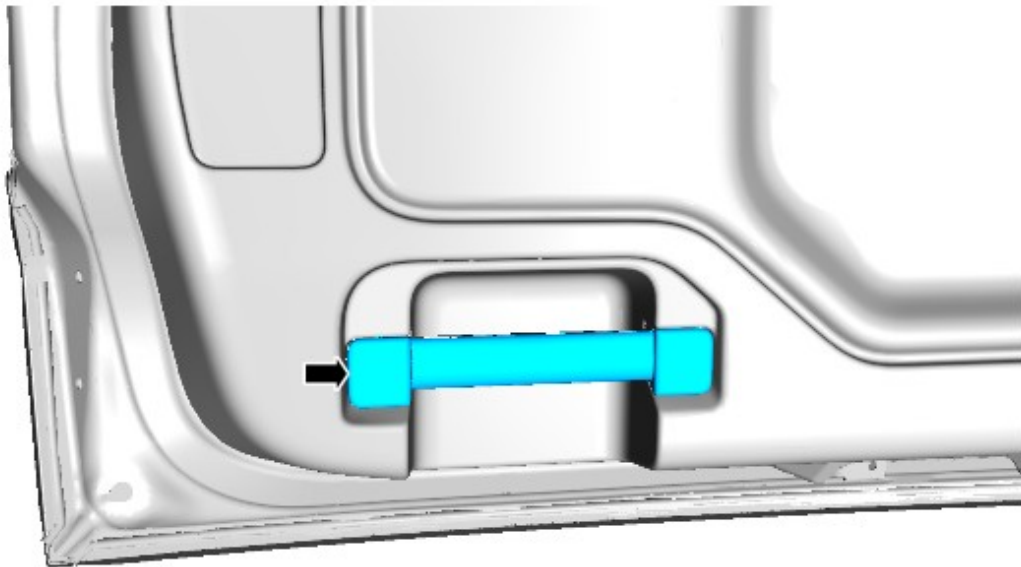


EI92608

Use new retaining screws to install the tailgate grab handle.

- ■ Torque: 7 Nm

20.



EI92609

Install the tailgate grab handle trim cover.

21. Make sure the tailgate trim panel is installed correctly with no visible gaps around the edge.