

LTB00797NAS3



# TECHNICAL BULLETIN

24 MAR 2020

© Jaguar Land Rover North America, LLC

NOTE: The information in Technical Bulletins is intended for use by trained, professional Technicians with the knowledge, tools, and equipment required to do the job properly and safely. It informs these Technicians of conditions that may occur on some vehicles, or provides information that could assist in proper vehicle service. The procedures should not be performed by 'do-it-yourselfers'. If you are not a Retailer, do not assume that a condition described affects your vehicle. Contact an authorized Land Rover service facility to determine whether this bulletin applies to a specific vehicle.

## INFORMATION

---

**This reissue replaces all previous versions. Please destroy all previous versions.**

This bulletin supersedes TSB LTB00797NAS2/2018 dated 21 AUG 2018, which should either be destroyed or clearly marked to show it is no longer valid (e.g. with a line across the page). Only refer to the electronic version of this Technical Bulletin in TOPIx.

Changes are highlighted in blue

---

## SECTION:

501-19

## SUBJECT/CONCERN:

Rear Bumper Cover To Body - Gap Evident

## AFFECTED VEHICLE RANGE:

MODEL:

MODEL YEAR:

VIN:

ASSEMBLY PLANT:

MODEL:	MODEL YEAR:	VIN:	ASSEMBLY PLANT:
Range Rover Sport (LW)	2014-2016	000001-583735	Solihull
Range Rover Sport (LW)	2015-2016	601763-650862	Solihull

---

## MARKETS:

NORTH AMERICA

---

## CONDITION SUMMARY:

### SITUATION:

When the tailgate is open, a small gap can be seen between the rear bumper cover and tailgate body aperture seal.

### CAUSE:

Not to original design specification.

### ACTION:

Follow the instructions below.

---

## PARTS:

PART NUMBER	DESCRIPTION	QUANTITY
LR041734	Seal Pad	1
LR073721	Foam strip	5

---

## WARRANTY:

**NOTES:**

- Repair procedures are under constant review, and therefore times are subject to change; those quoted here must be taken as guidance only. Use TOPIx to obtain the latest repair time.
- The JLR claims submission system requires the use of causal part numbers. Labor only claims must show the causal part number with a quantity of zero.

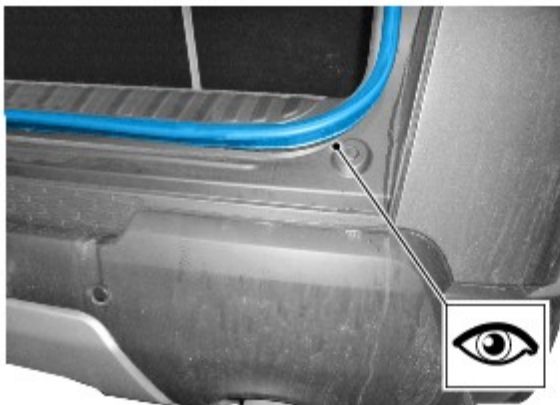
DESCRIPTION	SRO	TIME (HOURS)	CONDITION CODE	CAUSAL PART
Rear bumper cover to body alignment	76.22.89.37	1.5	07	LR044404 / LR044406

**NOTE:**

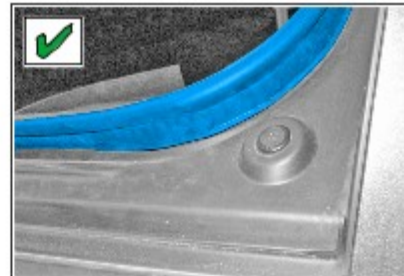
Normal Warranty procedures apply.

SERVICE INFORMATION:

1.



E263177



The illustration shows an example of an **OK (✓)** and a **NOT OK (X)** rear bumper cover to body gap.

## SERVICE INSTRUCTION:

1. Remove the rear bumper cover (see TOPIx Workshop Manual section 501-19: Bumpers - Removal and Installation - Rear Bumper Cover).

2.



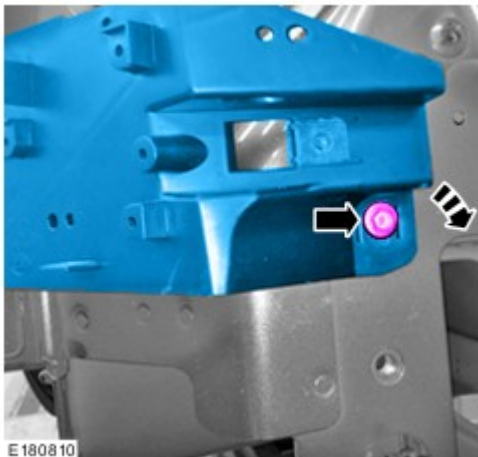
E178389

Remove the rear bumper cover center support bracket.

3.

**NOTE:**

Repeat this procedure on both sides of the vehicle.



Remove the rear bumper cover corner bracket from the rear panel of the vehicle.

- ■ Remove the bolt.

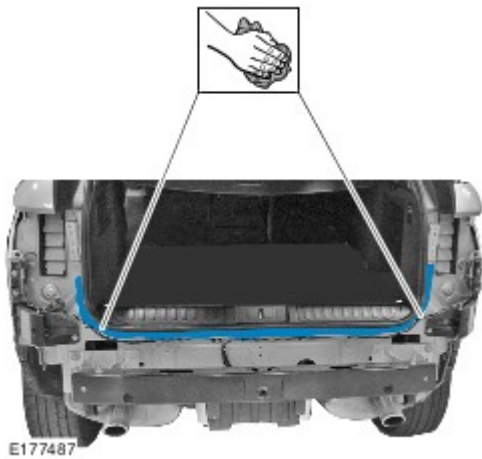
4.



E177478

Reposition the tailgate aperture seal.

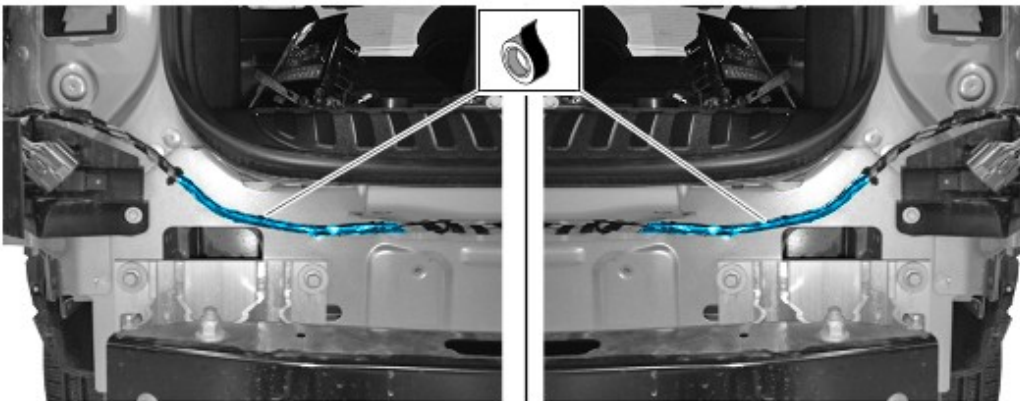
5.



E177487

Use a suitable cleaner to clean the area shown.

6.



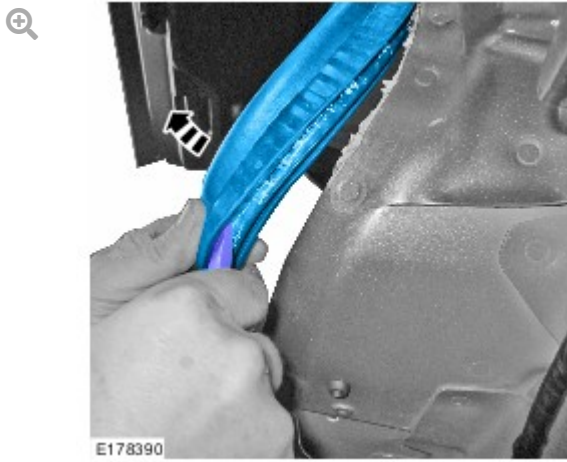
E177477

Use a suitable tape to cover the rear electrical harness.

7.

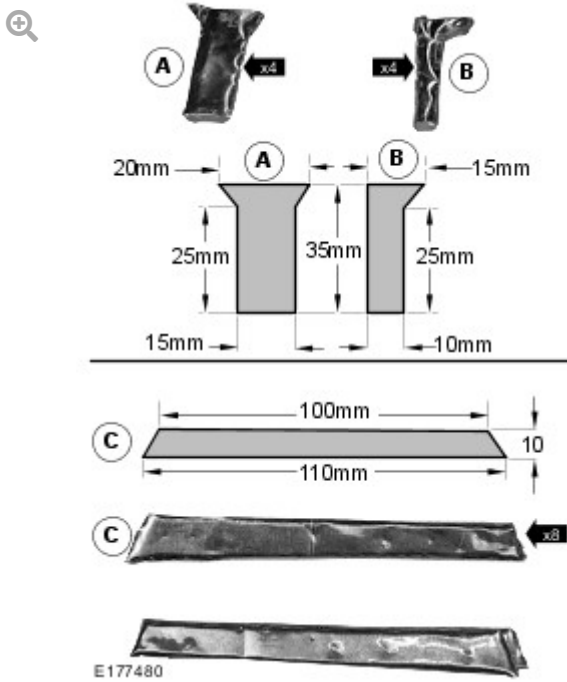
**NOTE:**

Carefully open the tailgate aperture seal in the corner sections only.



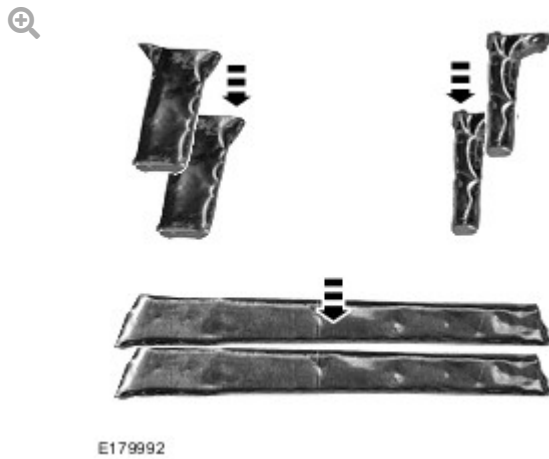
Use a suitable tool to open the gap on the tailgate aperture seal.

8.



Use a suitable tool to cut the seal pad to the sizes shown in the illustration.

9.

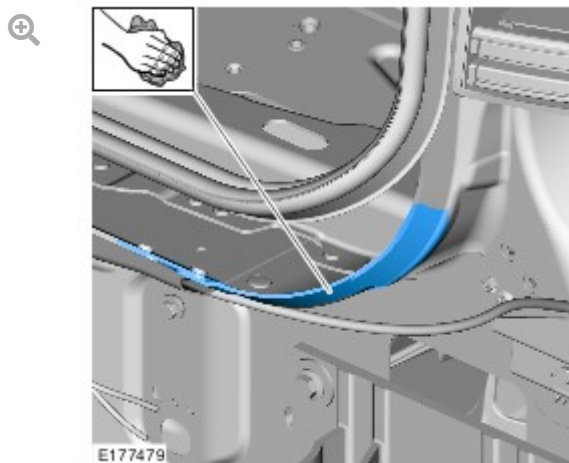


Stick two equal seal pads together to make the seal pads double the thickness.

10.

**NOTE:**

Repeat this procedure on both sides of the vehicle.

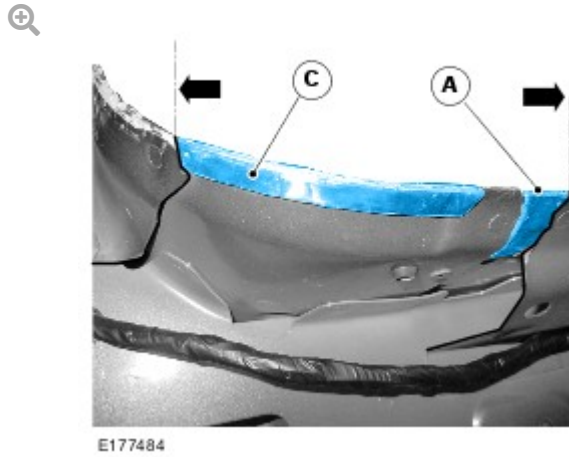


Use a suitable cleaning solution to clean the excess sealant from the vehicle in the area shown in the illustration.

11.

**NOTES:**

- Make sure the seal pad is completely adhered to the vehicle.
- Make sure the seal pad is flush with the edge of the vehicle body.

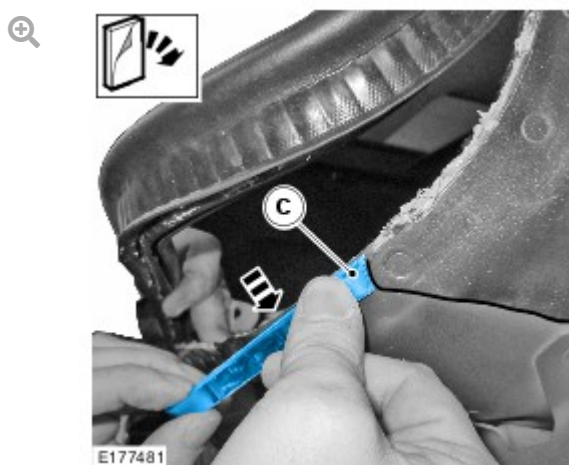


Install the seal pad on the vehicle in the area shown. Locate the seal pad against the panel edges, as shown in the illustration.

12.

**NOTES:**

- Repeat this procedure on both sides of the vehicle.
- Make sure the seal pad is completely adhered to the vehicle.
- Make sure the seal pad is flush with the edge of the vehicle body.



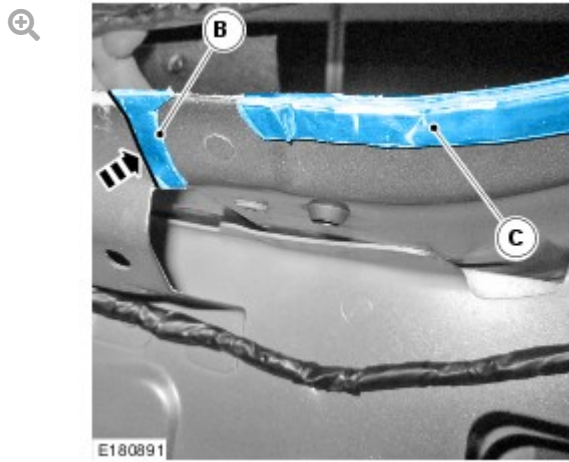
Locate and install the seal pad against the panel edge, as shown in the illustration.



13.

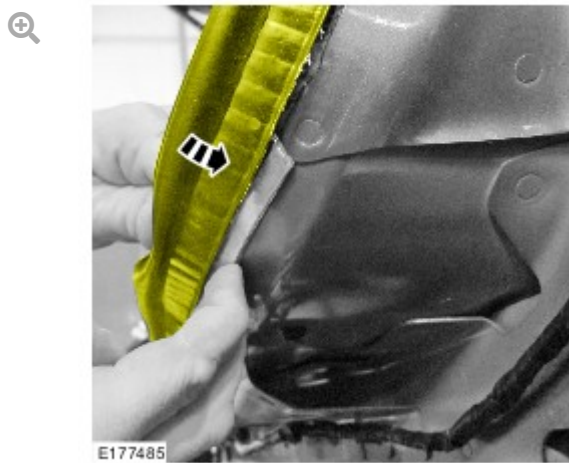
**NOTES:**

- Make sure the seal pad is completely adhered to the vehicle.
- Make sure the seal pad is flush with the edge of the vehicle body.



Locate and install the seal pad against the panel edge, as shown in the illustration.

14.

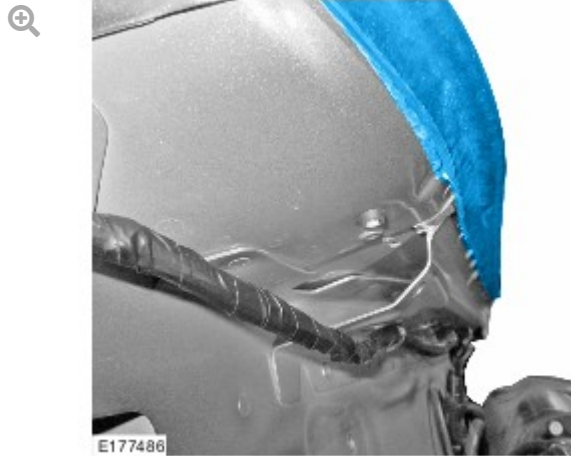


Install the tailgate aperture seal.

15.

**NOTE:**

Make sure the tailgate aperture seal completely covers the seal pad when installed.



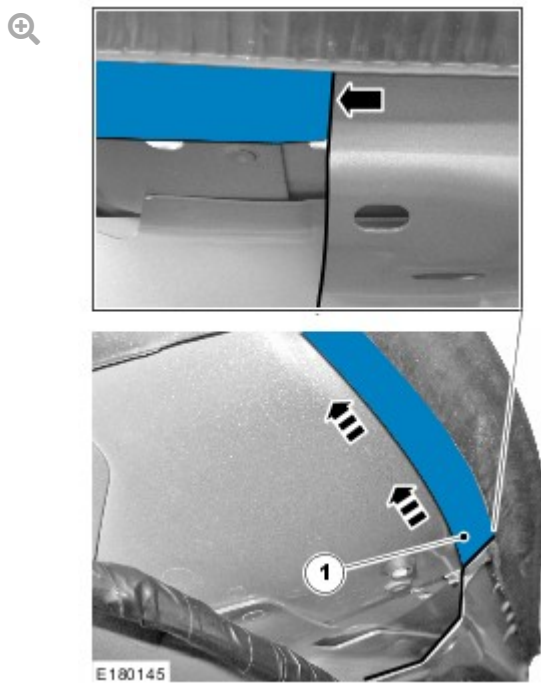
Note the correct position of the tailgate aperture seal after being installed to the vehicle.

---

16.

**NOTE:**

Repeat this step on both sides of the vehicle.



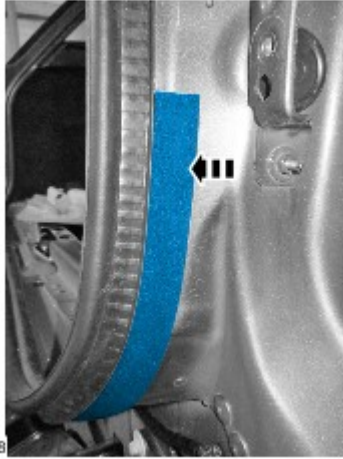
Install the foam strip in the area shown in the illustration.

- ■ Install the foam strip, starting at the edge of the rear panel and moving in the direction shown.

17.

**NOTES:**

- The foam strip supplied will be precut to the correct lengths.
- Repeat this step on both sides of the vehicle.



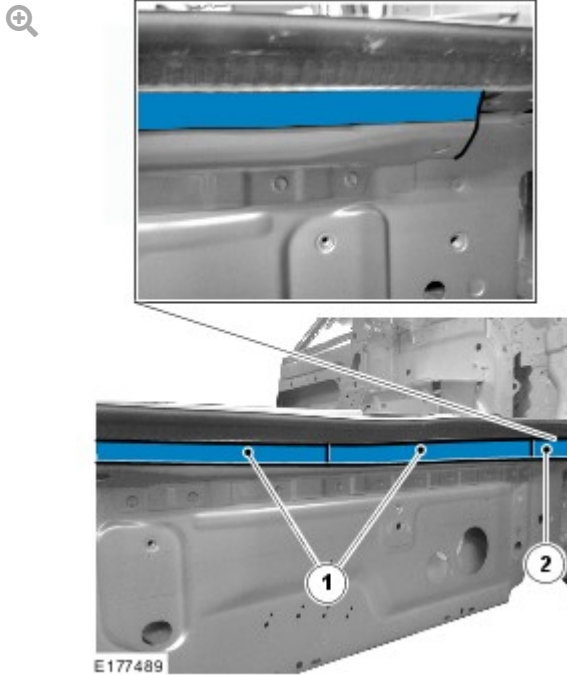
Make sure the foam strip is flush with the tailgate aperture seal.

---

18.

**NOTE:**

To cover the lower flange, 3 pieces of foam strip will be required. They will consist of 2 pre cut lengths (shown by (1) in the illustration) and 1 strip to be cut down to 70mm (shown by (2) in the illustration). This will cover the whole of the lower flange area.



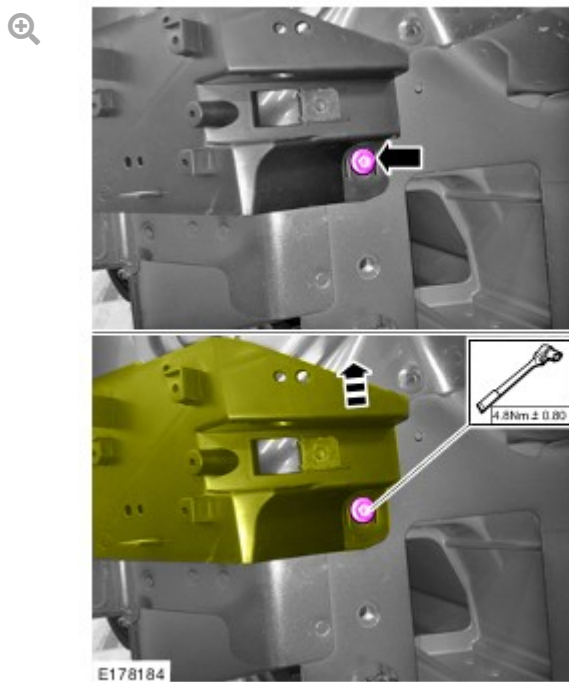
Install the foam strip in the area shown.

- ■ Install the foam strip. Start at the left edge of the rear panel and work across to the opposite edge of the rear panel.

19.

**NOTE:**

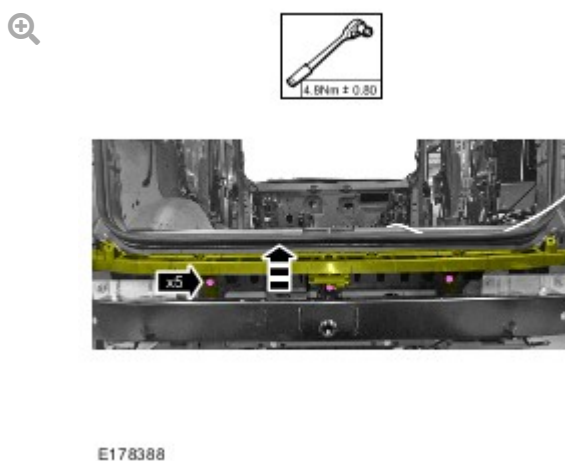
Repeat this procedure on both sides of the vehicle.



Install the rear bumper cover corner bracket, while holding it in the highest position.

- ■ Torque: 4.8 Nm

20.



Install the rear bumper cover center support bracket, while holding it in the highest position.

- ■ Torque: 4.8 Nm

21. Install the rear bumper cover (see TOPIx Workshop Manual section 501-19: Bumpers - Removal and Installation - Rear Bumper Cover).