



Service Bulletin

Bulletin No.: 19-NA-260

Date: February, 2020

TECHNICAL

Subject: A/C Blows Warm Air

This bulletin replaces PIC6380. Please discard PIC6380.

Brand:	Model:	Model Year:		Breakpoint:		Engine:	Transmission:
		from	to	from	to		
Chevrolet	Impala	2017	2020	-	-	Equipped with 2.5L (LCV) or 3.6L (LFX)	-

Involved Region or Country	North America, Middle East, Israel, Palestine, South Korea
Condition	Some customers may comment that the A/C blows warm air. Upon further diagnosis, technicians may find that there is little to no refrigerant in the system.

Cause

This condition may be due to any of the following:

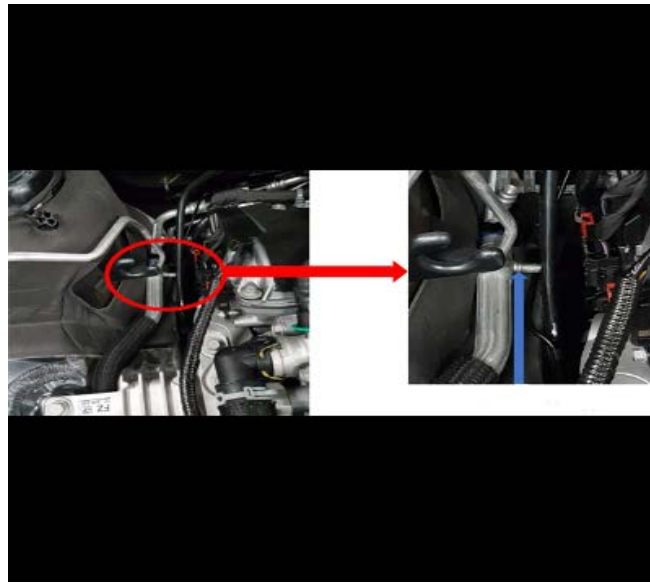
- An inconsistency in the weld process.
- A welded joint in the evaporator lock ring.
- A compressor hose
- A low side evaporator line

Any of the above have been found to have the potential to slowly leak refrigerant over a period of time.

Note: Please allow the A/C system to run for 30 minutes with refrigerant at the specified capacity before attempting to check for leaks. The dye that is installed is in the form of a pellet and may take about 30 minutes of continuous operation to dissolve and disperse throughout the system.

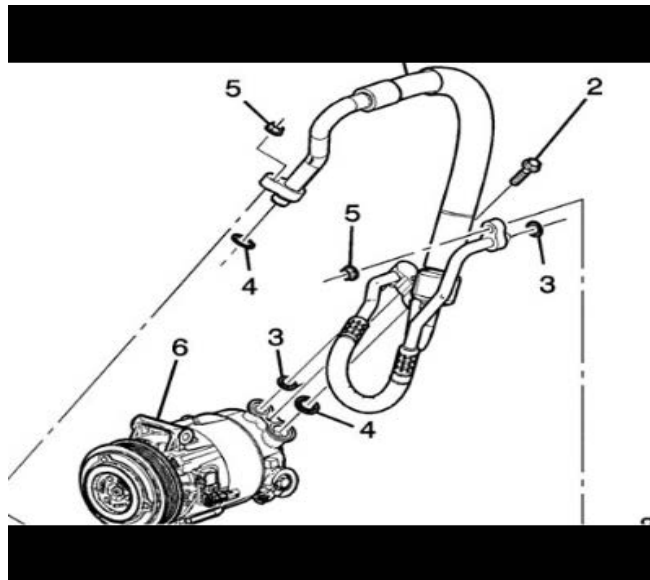
Note: Failure of two or more components is not common. Inspect the compressor and evaporator line first.

Low Side Evaporator Line:



5436551

Compressor Line:



5436561

Correction

If the Air Conditioning system is low or empty of refrigerant, please refer to *Refrigerant Recovery and Recharging (R-134a)* or *Refrigerant Recovery and Recharging (R-1234yf)* in SI.

Follow Leak testing guidelines. Refer to *Leak Testing (R-134a)* or *Leak testing (R-134a) Leak testing (R-1234yf)* in SI to find the source of the leak.

Parts Information

Causal Part	Description	Part Number	Qty
X	HOSE, A/C CMPR (LCV/2.5)	84242396	1
	HOSE, A/C CMPR (LFX/3.6)	84429951	
	EVAPORATOR KIT (R-134a)	84409866	
	EVAPORATOR KIT (R-1234yf)	84409864	
	HOSE ASM-A/ C EVPR	84429956	

Warranty Information

For vehicles repaired under warranty, use:

Labor Operation	Description	Labor Time
4415010	Air Conditioning Compressor Hose Replacement	Use Published Labor Operation Time
4416510	Air Conditioning Evaporator Core Replacement	
4414950	Air Conditioning Evaporator Hose Replacement	

Version	1
Modified	Released February 4, 2020

GM bulletins are intended for use by professional technicians, NOT a "do-it-yourselfer". They are written to inform these technicians of conditions that may occur on some vehicles, or to provide information that could assist in the proper service of a vehicle. Properly trained technicians have the equipment, tools, safety instructions, and know-how to do a job properly and safely. If a condition is described, DO NOT assume that the bulletin applies to your vehicle, or that your vehicle will have that condition. See your GM dealer for information on whether your vehicle may benefit from the information.



WE SUPPORT VOLUNTARY
TECHNICIAN
CERTIFICATION