

## STAR ONLINE PUBLICATION

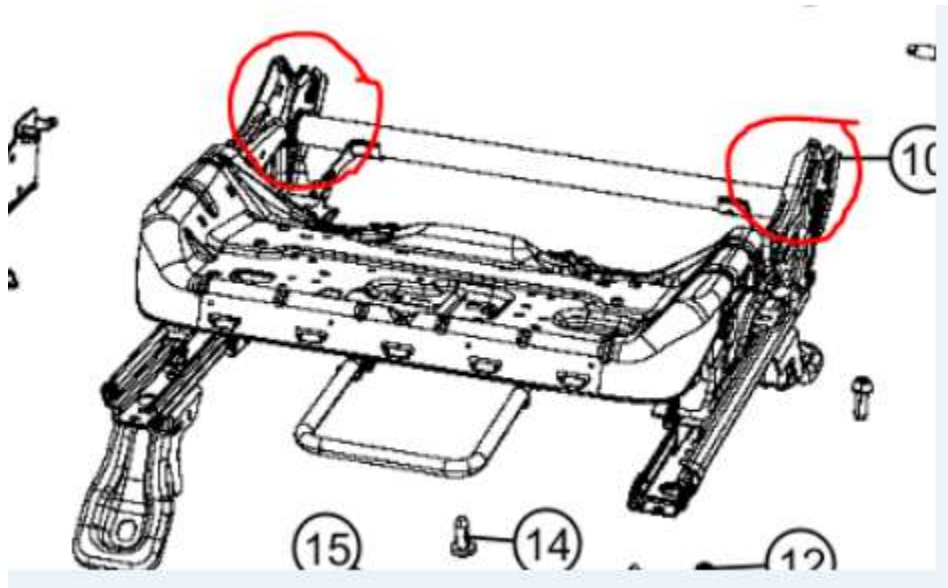
---

**Case Number:** S2023000009

**Release Date:** 02/06/2020

**Symptom/Vehicle Issue:** Noise From Passenger Front Seat Area

**Discussion:** To verify if the noise is originating from the passenger seat itself, sit in the seat and wiggle back and forth at different rates. If the noise does duplicate, using a helper inspect the circled joints for movement. The seat frame uses a swedge bonding (squeeze fitment). This joint is not welded. If movement is found, replace the seat adjuster (lower frame).



This document does not authorize warranty repairs. This communication documents a record of past experiences. STAR Online does not provide any conclusions about what is wrong with the vehicle. Rather, it captures all previous cases known that appear to be similar or related to the vehicle symptom / condition. You are the expert, and you are responsible for deciding on the appropriate course of action.

**Contact STAR Center, or your Technical Assistance Center Via TechCONNECT or eCONTACT ticket if no solution is found**