

**Sports Exhaust System - Silver (OP8)/Black (OP9)**

Vehicle type: **Cayenne Turbo (9YA)** including Coupé variant

Model Year: **As of 2019**

Engine Type: **DCU/DCUA** = V8/4.0 litre/404 kW (550 hp) = Cayenne Turbo

Restrictions: **ONLY** approved for vehicles FROM a certain production date (week/year) depending on exhaust variant (WITHOUT Petrol Particulate Filter (PPF) and body shape)!

- Vehicles **WITHOUT** PPF: from 34 / 2018
- Coupé vehicles: from 09 / 2019

Information: **Retrofitting**

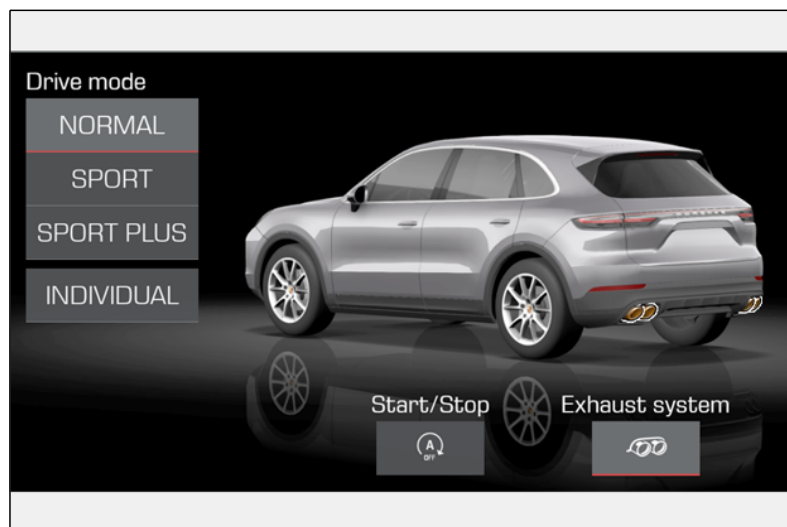


Figure 1

Notes: With the sports exhaust system, the signal for activating the flaps in the rear silencers comes from the respective current map in the DME control unit. The driving status and accelerator pedal position, for example, are decisive factors.

The sports exhaust system can be switched on and off separately using the Porsche Communication Management system (PCM ⇒ Figure 1). To do this, select the menu "Car", then "Drive" and then "Exhaust system".

The sports exhaust system is also active in the "SPORT" or "SPORT PLUS" driving modes.

The engine power and exhaust behaviour of the vehicle are not affected.

The sports exhaust system is also available straight from the factory for new vehicles by requesting optional equipment "OP8 – Sports exhaust system (Brushed stainless steel tailpipe)" or "OP9 – Sports exhaust system (Black chrome-plated look tailpipe)".

## Parts Info:

**ONLY** for vehicles WITHOUT Petrol Particulate Filter (–PPF):

**9Y0.044.221**

⇒ Sports exhaust system – Tailpipe in Silver chrome-plated look, set

**9Y0.044.221.A**

⇒ Sports exhaust system – Tailpipe in Black chrome-plated look, set

## Parts list:

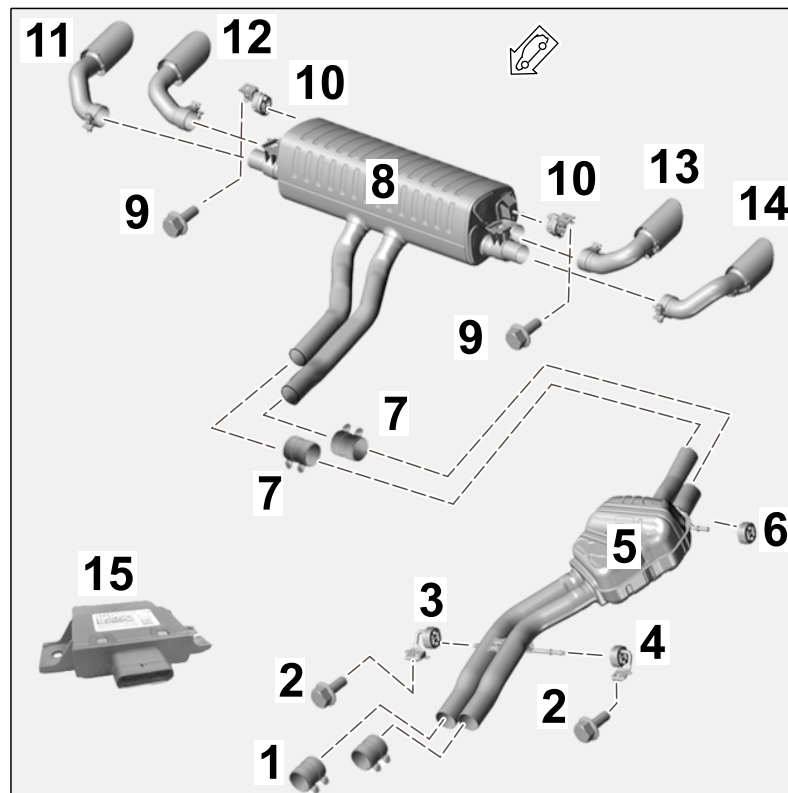


Figure 3

Exhaust system components (area: Center and rear) and electrics (⇒ Figure 3):

9A7.253.141.00	2 x	Clamping sleeve, $\varnothing$ 70 x 79 ⇒ Figure 3-1-
N.106.978.01	2 x	Hexagon flange bolt, M10 x 30 ⇒ Figure 3-2-
PAB.253.144.01	1 x	Holder for center silencer, front, right ⇒ Figure 3-3-
PAB.253.144.10	1 x	Holder for center silencer, front, left ⇒ Figure 3-4-
9Y0.253.088.B	1 x	Center silencer ASSY ⇒ Figure 3-5-
PAB.253.147.00	1 x	Center silencer retaining ring, rear left ⇒ Figure 3-6-

958.111.220.10	2 x	Clamping sleeve, Ø 65 x 88 ⇒ <i>Figure 3-7-</i>
9Y0.253.125.A <sup>1</sup>	1 x	Rear silencer ASSY (-PPF) ⇒ <i>Figure 3-8-</i>
N .106.421.01	2 x	Hexagon flange bolt, M8 x 25 ⇒ <i>Figure 3-9-</i>
PAB.253.144.03	2 x	Rear silencer holder ⇒ <i>Figure 3-10-</i>
N .038.549.4	8 x	Expansion rivet, A8 x 12 (air guide for tunnel, underbody panelling, not shown)
9Y0.253.824.BP <sup>1</sup>	1 x	Sports tailpipe, silver chrome-plated, outer right ⇒ <i>Figure 3-11-</i>
9Y0.253.824.BN <sup>1</sup>	1 x	Sports tailpipe, silver chrome-plated, inner right ⇒ <i>Figure 3-12-</i>
9Y0.253.823.BN <sup>1</sup>	1 x	Sports tailpipe, silver chrome-plated, inner left ⇒ <i>Figure 3-13-</i>
9Y0.253.823.BP <sup>1</sup>	1 x	Sports tailpipe, silver chrome-plated, outer left ⇒ <i>Figure 3-14-</i>
9Y0.253.824.BS <sup>1</sup>	1 x	Sports tailpipe, black chrome-plated, outer right (not shown)
9Y0.253.824.BR <sup>1</sup>	1 x	Sports tailpipe, black chrome-plated, inner right (not shown)
9Y0.253.823.BR <sup>1</sup>	1 x	Sports tailpipe, black chrome-plated, inner left (not shown)
9Y0.253.823.BS <sup>1</sup>	1 x	Sports tailpipe, black chrome-plated, outer left (not shown)
9Y0.907.159.AR	1 x	Engine noise control unit ⇒ <i>Figure 3-15-</i>

<sup>1</sup> **ONLY** contained in respective set!



### Information

**ONLY** in the event of repairs/replacement:

Items **WITHOUT** a part number in the parts list can be found/ordered from the Porsche Electronic Parts Catalog = PET.

Check model year and vehicle equipment (I-no.) in the standard catalog!

Materials: — — — 1 x Commercially available rust solvent, e.g. WD40

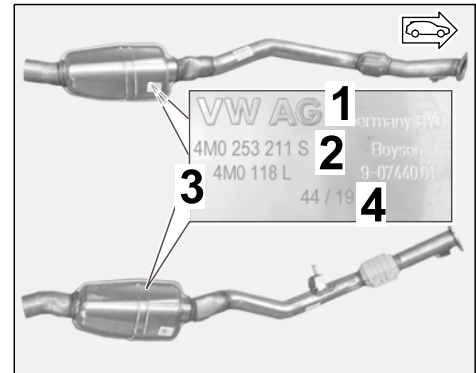
Notes: The relevant legal regulations must be observed in the various countries.

The new sports exhaust system (exhaust pipe with .. front silencer, center and rear silencers as well as sports tailpipes) is marked on the underside as follows:

– Front silencer (⇒ *Figure 4*):

- 1 – Trade mark
- 2 – Part No.
- 3 – Type number
- 4 – Week/year of manufacture

- Front silencer WITH OPF, left/right: Part No. = 4M0.253.211.S / Type number = 4M0 118 L

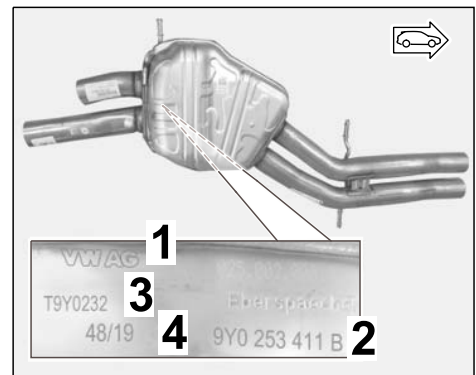


*Figure 4*

– Center silencer (⇒ *Figure 5*):

- 1 – Trade mark
- 2 – Part No.
- 3 – Type number
- 4 – Week/year of manufacture

- Center silencer: Porsche Part No. = 9Y0.253.411.B / Type number = T9Y0232



*Figure 5*

– Rear silencer WITHOUT PPF (⇒ *Figure 6*):

- 1 – Trade mark
- 2 – Part No.
- 3 – Type number
- 4 – Week/year of manufacture

- Rear silencer WITHOUT PPF: Porsche Part No. = 9Y0.253.611 / Type number = T9Y0231

– Sports tailpipes: Porsche Part Nos. = See parts list and separate installation and conversion instructions (⇒ *Installation and Conversion Instructions '263400 sports tailpipe, double inlet – silver (OP3)/black (OP6)*).

This information can be read off from underneath when installed.



### Information



### Information

The help of another person is required for this step.

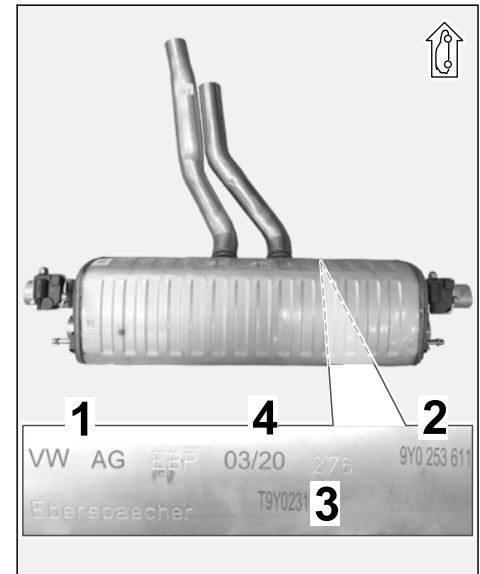


Figure 6

Tools:

**Pole terminal puller**

**9900 - PIWIS Tester 3**

Restraining strap for securing loads

**Nr.89 Pos.5 - Torque screwdriver**

**Nr.90 Pos.3 - Torque wrench**

**Transmission and Engine Jack**

Flashlight

Installing:

1 Preparatory work

1.1 Drive vehicle onto a lifting platform (⇒ *Workshop Manual '4X00IN Lifting the vehicle*).

1.2 Connect battery charger (⇒ *Workshop Manual '2X00IN Trickle charging 12-volt lithium-ion battery*).

- 1.3 Expose plenum panel area (⇒ *Figure 7*)
- 1 – Filler neck for windscreen-washer reservoir
  - 2 – Engine cover (design cover)
  - 3 – Strut brace (installation position of engine sound control unit)

1.3.1 Remove the moulding for the windscreen (⇒ *Workshop Manual '666119 Removing and installing moulding for windscreen'*).

1.3.2 Remove the wiper arms (⇒ *Workshop Manual '922519 Removing and installing the wiper arm'*).

1.3.3 Remove the front lid seal (⇒ *Workshop Manual '553319 Removing and installing the front lid seal'*).

1.3.4 Remove the cowl panel cover (⇒ *Workshop Manual '508719 Removing and installing the cowl panel cover'*)

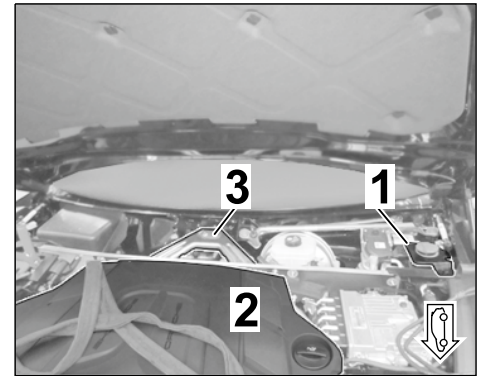


Figure 7

**CAUTION**

**Hot components**

- Risk of burns
- ⇒ Let hot components cool down.
- ⇒ Wear personal protective gear.

- 1.4 Work in the exhaust system area
  - 1 – Cover for rear underbody
  - 2 – Rear tunnel cover
  - 3 – Front underbody cover (rear section)
  - 4 – Tailpipe (left/right)

1.4.1 Remove rear underbody cover and rear tunnel cover (⇒ *Figure 8-1 and 2-*, ⇒ *Workshop Manual '519419 Removing and installing cover for rear underbody*).

1.4.2 Remove the tailpipe (left/right) (⇒ *Figure 8-4-*, ⇒ *Workshop Manual '263419 Removing and installing the tailpipe*).

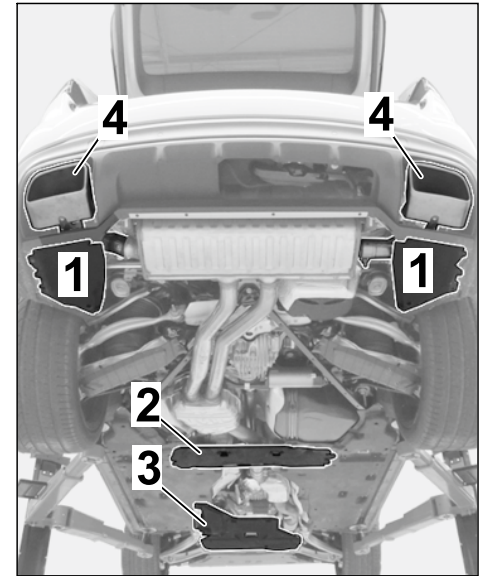


Figure 8

**CAUTION**

**Heavy components**

- Risk of pinching
- ⇒ Wear personal protective gear.
- ⇒ Get someone to help if necessary.

1.4.3 Remove exhaust system **WITHOUT** removing tunnel strut ( ⇒ *Workshop Manual '260119 Removing and installing exhaust system* ).

- 2 Replace engine noise control unit ( ⇒ *Workshop Manual '260519 Removing and installing control unit for acoustic simulator* )
  - 2.1 Check whether there is a tie-wrap on the side tab on the engine noise control unit. Remove the tie-wrap if necessary.
  - 2.2 Disconnect plug connection for the standard engine noise control unit and remove engine noise control unit with holder.
  - 2.3 Remove standard engine noise control unit from control unit holder.

2.4 Insert new engine noise control unit at the underside in the control unit holder (⇒ *Figure 9-A*).

- 1 – Engine noise control unit
- 2 – Control unit holder.
- 3 – Locking/unlocking

3 Install new exhaust system

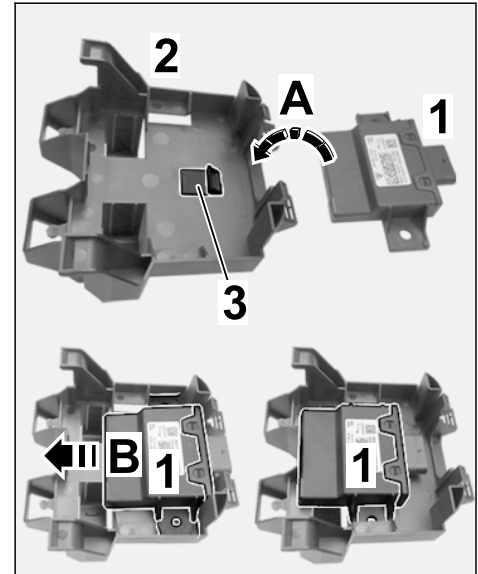


Figure 9

3.1 Install new center silencer with new clamping sleeve (Ø 70 x 79) (⇒ *Workshop Manual '260119 Removing and installing exhaust system*).

- 1 – Clamping sleeve, Ø 70 x 79
- 2 – Center silencer holder, front left
- 3 – Center silencer holder, front right
- 4 – Center silencer
- 5 – Center silencer retaining ring
- 6 – Clamping sleeve, Ø 65 x 88
- 7 – Rear silencer (– PPF)
- 8 – Sports tailpipes, Black chrome-plated, left
- 9 – Sports tailpipes, Black chrome-plated, right

- Hexagon collar bolt, M10 x 30 (center silencer holder): **Tightening torque 49 Nm (36 ftlb.)**
- Clamping sleeve, Ø 70 x 79: **Tightening torque 30 Nm (22 ftlb.)**

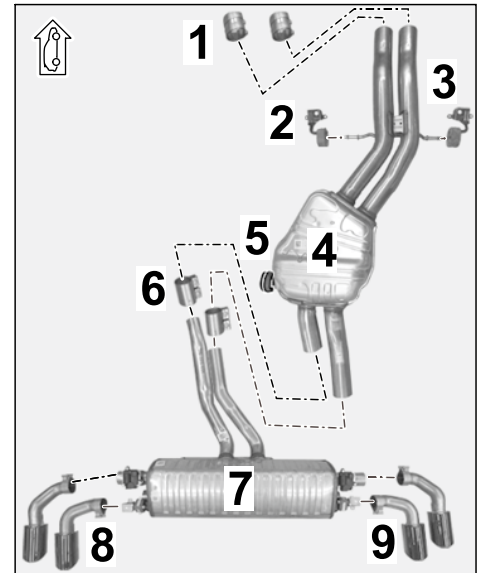


Figure 11

3.2 Install new rear silencer with a new clamping sleeve, Ø 65 x 88 (2 x) (⇒ *Workshop Manual '263355 Replacing rear silencer*).

- Hexagon collar bolt, M8 x 25 (rear silencer holder): **Tightening torque 23 Nm**
- Clamping sleeve, Ø 65 x 88: **Tightening torque 30 Nm**



3.3 Connect electric plug connections for servo motor for exhaust flap (left/right).

3.4 Install new sports tailpipes (silver or black) and align them with the rear apron ⇒ *Installation and Conversion Instructions '263400 (sports tailpipe, double inlet – silver (OP3)/black (OP6))*.

- 1 – Sports tailpipe – inner (right)
- 2 – Sports tailpipe – outer (right)
- 3 – Exhaust system cover (rear apron)

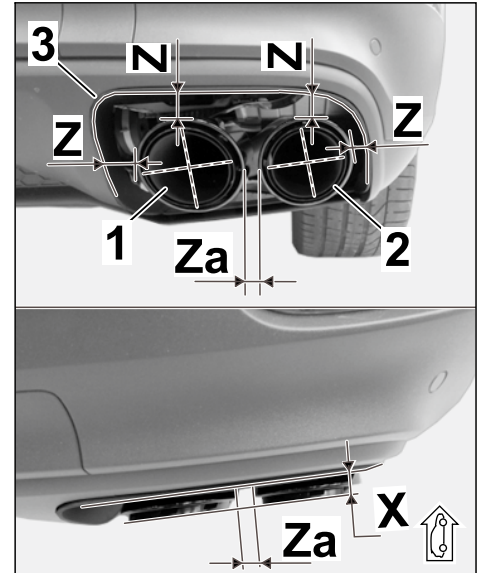


Figure 12

3.4.1 Check that the gap between the new sports tailpipes and exhaust system cover (rear apron – left and right side of vehicle) is symmetric and constant and adjust it if necessary.

⇒ *Figure 12-Z-*: **Control value 21 mm +/-1 mm**

3.4.2 Check spacing of inner/outer sports tailpipe (left and right side of vehicle) and make adjustments if necessary.

⇒ *Figure 12-Za-*: **Control value 11 mm +/-1 mm**

3.4.3 Tighten lens-head screw, M6 x 12 (underside of sports tailpipe cover).

**Tightening torque 8 Nm (6 ftlb.) +/-1 Nm (+/-0.5 ftlb.)**

4 Concluding work for vehicle underbody/engine compartment

4.1 Vehicle underbody area

4.1.1 Install rear underbody cover and rear tunnel cover ( ⇒ *Workshop Manual '519419 Removing and installing cover for rear underbody*).

4.2 Complete the plenum panel area.

4.2.1 Install cowl panel cover ( ⇒ *Workshop Manual '508719 Removing and installing cowl panel cover*)

4.2.2 Install front lid seal ( ⇒ *Workshop Manual '553319 Removing and installing front lid seal*).

4.2.3 Install wiper arms ( ⇒ *Workshop Manual '922519 Removing and installing wiper arm*).

4.2.4 Install windscreen moulding ( ⇒ *Workshop Manual '666119 Removing and installing moulding for windscreen*).

Coding: 5 Coding/programming sports exhaust system - Silver (OP8)/Black (OP9)

**NOTICE****Voltage drop**

- Risk of irreparable damage to control unit
  - Risk of damage to control unit
  - Fault entries in the control unit
  - Coding in the control unit is aborted
  - Malfunctions in control unit, even during programming
- ⇒ Switch off the ignition and remove the ignition key before disconnecting the control unit.
- ⇒ Ensure that the power supply is not interrupted during programming.
- ⇒ Connect a battery charger with a current rating of at least Nominal value 90 A to the vehicle battery.

## 5.1 Preparatory work – Coding

**NOTICE**

Control unit programming will be aborted if the Internet connection is unstable.

- An unstable Internet connection can interrupt communication between PIWIS Tester III and the vehicle communication module (VCI). As a result, control unit programming may be aborted.
- ⇒ During control unit programming, always connect PIWIS Tester III to the vehicle communication module (VCI) via the USB cable.

5.1.1 **9900 - PIWIS Tester 3** must be connected to the vehicle and switched on.

5.1.2 Switch on ignition **AND** hazard warning lights on the vehicle.

**Information**

The **9900 - PIWIS Tester III** instructions take precedence since the description may be different with later Tester releases.

The procedure described here has been structured in general terms; different text or additions may appear on the **9900 - PIWIS Tester III**.

5.1.3 Select the "Diagnostics" menu item on the PIWIS Tester.

5.1.4 If **9900 - PIWIS Tester 3** is connected correctly, a connection to the vehicle will be established: "Cayenne" model line is detected.

5.1.5 Press **•F12** to go to the control unit search screen.

5.1.6 Confirm the question: "Create vehicle analysis log (VAL)?" with "Yes" = **•F12** .

5.1.7 Select "KD-FAP" in the next menu item and press •F8" to start.



### Information

The function is **ONLY** available when the Tester is online!

5.2 Enter the new vehicle equipment in the vehicle data using "PIWIS Online"

5.2.1 Press •F7" in the control unit overview to switch to the "Additional menu".

5.2.2 Select the function "Maintenance of vehicle data with PIWIS ONLINE".

A message appears informing you that the "Actual" (vehicle) data and "Required" (PIWIS Online) data will be compared.

Press •F12" to continue.

5.2.3 Confirm the message "The vehicle data was compared with PIWIS Online. Significant differences were found" with •F12" .

5.2.4 Look for the option "INTERIOR SOUND MEASURES (VW SILENCERS)" in the "Family" column.

Select the option "2HB – INTERIOR SOUND MEASURES (SHAKER)" from the drop-down menu in the "Value" column.

5.2.5 Look for the option "EXHAUST TAILPIPE" in the "Family" column.

Select "OP8 – SPORTS EXHAUST SYSTEM – STAINLESS-STEEL TAILPIPES" or "OP9 – SPORTS EXHAUST SYSTEM – BLACK TAILPIPES" from the drop-down menu in the "Value" column, depending on the installed option.

Press •F12" to continue.

5.2.6 A table containing the coding value and the columns "new value" and "old value" is displayed in the overview. Press •F8" to continue.

5.2.7 Data is then written/stored. The following messages appear one after the other:

- Transferring vehicle data to PIWIS Online.
- Writing and transferring vehicle data to the vehicle.
- Vehicle order was written successfully.
- A check was performed in order to check whether control units have to be coded or programmed as a result of the changes that were made.

5.3 Code/program the new vehicle equipment.

5.3.1 Confirm the table containing a list of control units that must be coded/programmed by pressing •F12" .

5.3.2 Individual data records will be loaded, depending on the number of control units to be coded/programmed.

Wait until the message "Creating backup documentation. Please wait..." and "Coding was completed successfully" appears. Press •F12" to continue.

Repeat the process for other control units if necessary.

- 5.3.3 Wait until the message "Adaptation of the control units is complete." appears and check the coding status of the control units in the table that is displayed.

Continue by pressing •F12" to return to the control unit overview.

- 5.4 Read out the fault memories of all systems, work through any existing faults and erase the fault memories. ⇒ *Workshop Manual '0335IN Diagnostic maintenance: diagnostic system and maintenance inter...'*
- 5.5 Switch off ignition and disconnect **9900 - PIWIS Tester 3**.
- 5.6 Drive the vehicle off the lifting platform.

## 6 Perform "Sports exhaust system" function test

- 6.1 Start the engine.

- 6.2 Activate/deactivate the sports exhaust system, depending on vehicle equipment, using the following option:

- Porsche Communication Management: Select the menu "Car" → "Drive" → "Sports exhaust system".
- Porsche Communication Management: Select "SPORT" or "SPORT PLUS"

- 6.3 Switching off ignition

26 01 31 30: **ONLY** for vehicles WITHOUT Petrol Particulate Filter (–PPF):

–Sports exhaust system (1 x) retrofitted–

Labor time: **285 TU**

Includes: Replacing engine noise control unit;  
Replacing center and rear silencers;  
Installing and aligning new sports tailpipes (4 ea.);  
Coding sports exhaust system;  
Reading out fault memory and correcting and deleting faults.

Without: Test drive

**Important Notice:** Technical Bulletins issued by Porsche Cars North America, Inc. are intended only for use by professional automotive technicians who have attended Porsche service training courses. They are written to inform those technicians of conditions that may occur on some Porsche vehicles, or to provide information that could assist in the proper servicing of a vehicle. Porsche special tools may be necessary in order to perform certain operations identified in these bulletins. Use of tools and procedures other than those Porsche recommends in these bulletins may be detrimental to the safe operation of your vehicle, and may endanger the people working on it. Properly trained Porsche technicians have the equipment, tools, safety instructions, and know-how to do the job properly and safely. Part numbers listed in these bulletins are for reference only. The work procedures updated electronically in the Porsche PIWIS diagnostic and testing device take precedence and, in the event of a discrepancy, the work procedures in the PIWIS Tester are the ones that must be followed.

© 2020 Porsche Cars North America, Inc.