

Roof Rack Leg Cover Installation During PDS

Service Category General

Section Pre-Delivery Service

Market USA

Toyota Supports
 ASE Certification 

Applicability

YEAR(S)	MODEL(S)	ADDITIONAL INFORMATION
2020	4Runner	

Introduction

To prevent paint damage during transportation, the roof rack leg covers are kept inside the vehicle so that the Rapgard™ protective film can remain in place on the roof panel. Install roof rack leg covers on all vehicles according to the procedure outlined in this bulletin during Pre-Delivery Service (PDS).

Warranty Information

OP CODE	DESCRIPTION	TIME	OFFP	T1	T2
N/A	Not Applicable to Warranty	–	–	–	–

Roof Rack Leg Cover Installation During PDS

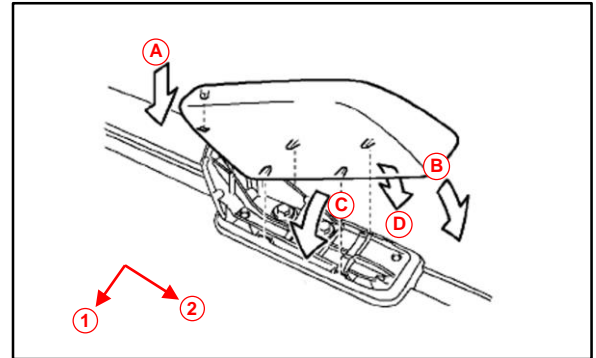
Roof Rack Leg Cover Installation Procedure

1. Install the right and left rear roof rack leg covers in the following sequence (labeled in Figure 1):
 - A. Insert the protrusion at the front of the cover into the roof rack rail.
 - B. Place the cover on the leg, aligning each rear end. At this time, do NOT press the cover down.
 - C. Engage the cover claws located toward the outside of the vehicle.
 - D. Engage the cover claws located toward the inside of the vehicle.

NOTICE

If the inside and outside cover claws are pressed down at the same time, the cover claws may be damaged.

Figure 1.



1	Outside
2	Rear

2. Check that the covers are installed securely.