



Technical Service Bulletin

SUBJECT:		No:	TSB-20-42B-001
2018 OUTLANDER SPORT BODY REPAIR MANUAL INFORMATION - SMR		DATE:	February 2020
		MODEL:	2018 Outlander Sport
CIRCULATE TO:	<input type="checkbox"/> GENERAL MANAGER	<input type="checkbox"/> PARTS MANAGER	<input checked="" type="checkbox"/> TECHNICIAN
<input checked="" type="checkbox"/> SERVICE ADVISOR	<input checked="" type="checkbox"/> SERVICE MANAGER	<input checked="" type="checkbox"/> WARRANTY PROCESSOR	<input type="checkbox"/> SALES MANAGER

PURPOSE

A 2018 Outlander Sport Body Repair Manual was not issued. Use the 2011 Body Repair Manual (MSSP-217B-2011) along with this TSB for complete body repair information on the 2018 Outlander Sport.

AFFECTED VEHICLES

- 2018 Outlander Sport/RVR

AFFECTED SERVICE MANUAL

2011 Outlander Sport Body Repair Manual:

- Group 1 - Body Construction
 - General Information
 - Body Construction Characteristics
- Group 2 - Body Dimensions
 - General Information
 - Type B (Actual-Measurement Dimensions)
- Group 6 - Body Color
 - General Information
 - Body Color Charts
 - Body Coloring



GROUP 1

**BODY
CONSTRUCTION**

CONTENTS

GENERAL INFORMATION	1-2	BODY CONSTRUCTION CHARACTERISTICS	1-2
		FRONT BODY	1-2
		UNDER BODY	1-2

GENERAL INFORMATION

M4010000201010

OUTLINE OF CHANGE

The sections "FRONT BODY" and "UNDER BODY" have been changed.

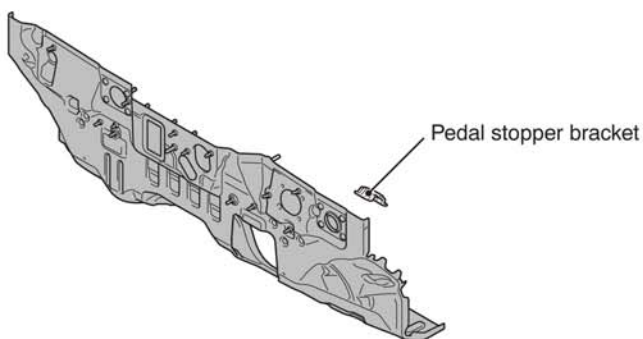
BODY CONSTRUCTION CHARACTERISTICS


FRONT BODY

M4010010002054

DASH PANEL

The following component has been added.



NOTE: : Indicate same parts as for previous models.

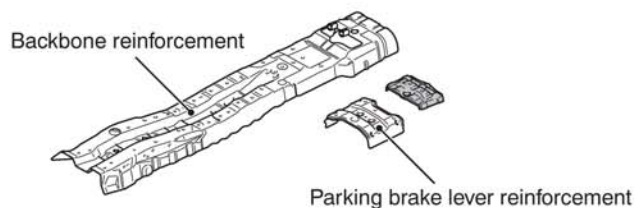
ABH00155AB


UNDER BODY

M4010014001967

FRONT FLOOR

The following components have been changed.



NOTE: : Indicate same parts as for previous models.

ABG00155AB

GROUP 2

BODY DIMENSIONS

CONTENTS

GENERAL INFORMATION	2-2	TYPE B (ACTUAL-MEASUREMENT DIMENSIONS).....	2-2
		INTERIOR.....	2-2

GENERAL INFORMATION

M4020000100367

OUTLINE OF CHANGE

The section "INTERIOR" has been changed.

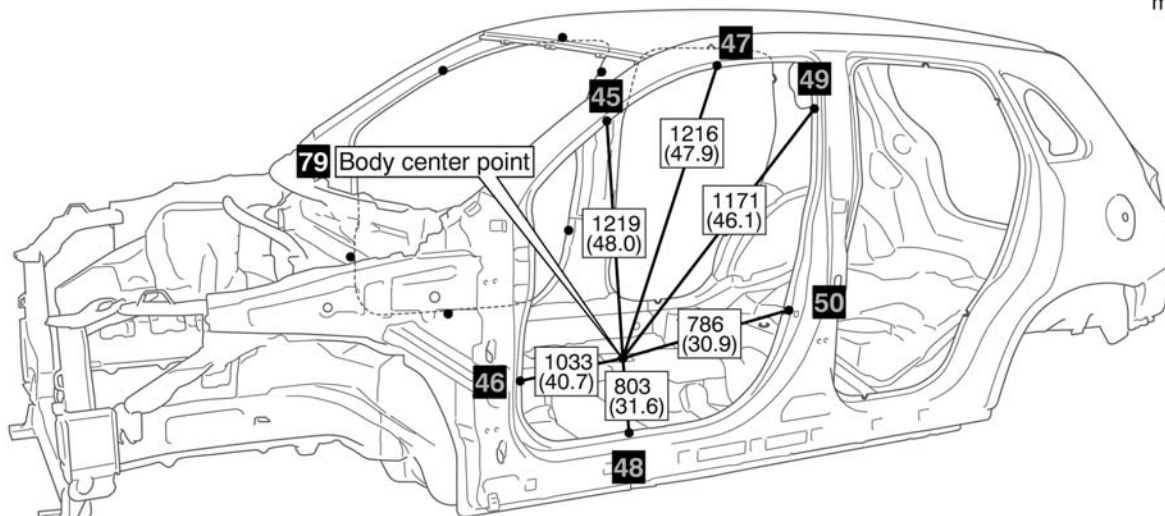
TYPE B (ACTUAL-MEASUREMENT DIMENSIONS)

INTERIOR

M4020009001973

The measurement reference point has been changed due to the change in the components. The other dimensions and measurement points have not changed.

mm (in)

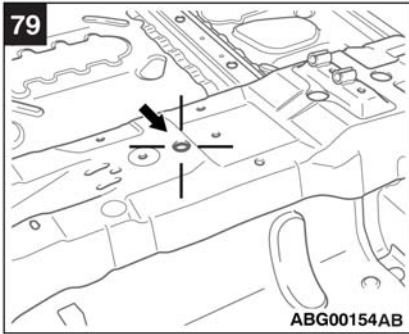


NOTE:

■ : Indicate the same dimension and the same standard measurement point as for previous models.

ABG00156AB

No.	Standard measurement point	Hole shape	Size mm (in)
45	Front pillar positioning notch	—	—
46	Front pillar positioning notch	—	—
47	Roof side rail positioning notch	—	—
48	Side sill positioning notch	—	—
49	Center pillar positioning notch	—	—
50	Center pillar positioning notch	—	—
79	Center of backbone reinforcement positioning hole (Body center point)	Round	11 (0.43)



GROUP 6

BODY COLOR

CONTENTS

GENERAL INFORMATION	6-2	BODY COLORING	6-3
BODY COLOR CHARTS	6-2	FRONT BUMPER	6-3
		REAR BUMPER	6-4

GENERAL INFORMATION

M406000201491

OUTLINE OF CHANGE

- The section "BODY COLOR CHARTS" has been changed.
- The section body coloring of "FRONT BUMPER" and "REAR BUMPER" have been changed.

BODY COLOR CHARTS

M4060002004997

Check the vehicle's body color code, and then use this body color chart to determine the refinishing paint supplier from which the color can be purchased.

Color	Color code	Color number	Color name	Coating film structure	Composition of film
GREYISH BROWN	C06	CMC10006	Quartz Brown Metallic	2M	Metallic
BLUE	D06	CMD10006	Lightning Blue Mica	2P	Interferenced Pearl
RED	P26	CMP10026	Red Metallic	2M	Metallic
GRAY	U17	CMU10017	Titanium Gray Metallic	2M	Metallic
SILVER	U25	CSU10025	Sterling Silver Metallic	2M	Metallic
WHITE	W13	CMW10013	White Pearl	3P	Pearl
BLACK	X42	AC11342	Black Mica	2P	Interferenced Pearl

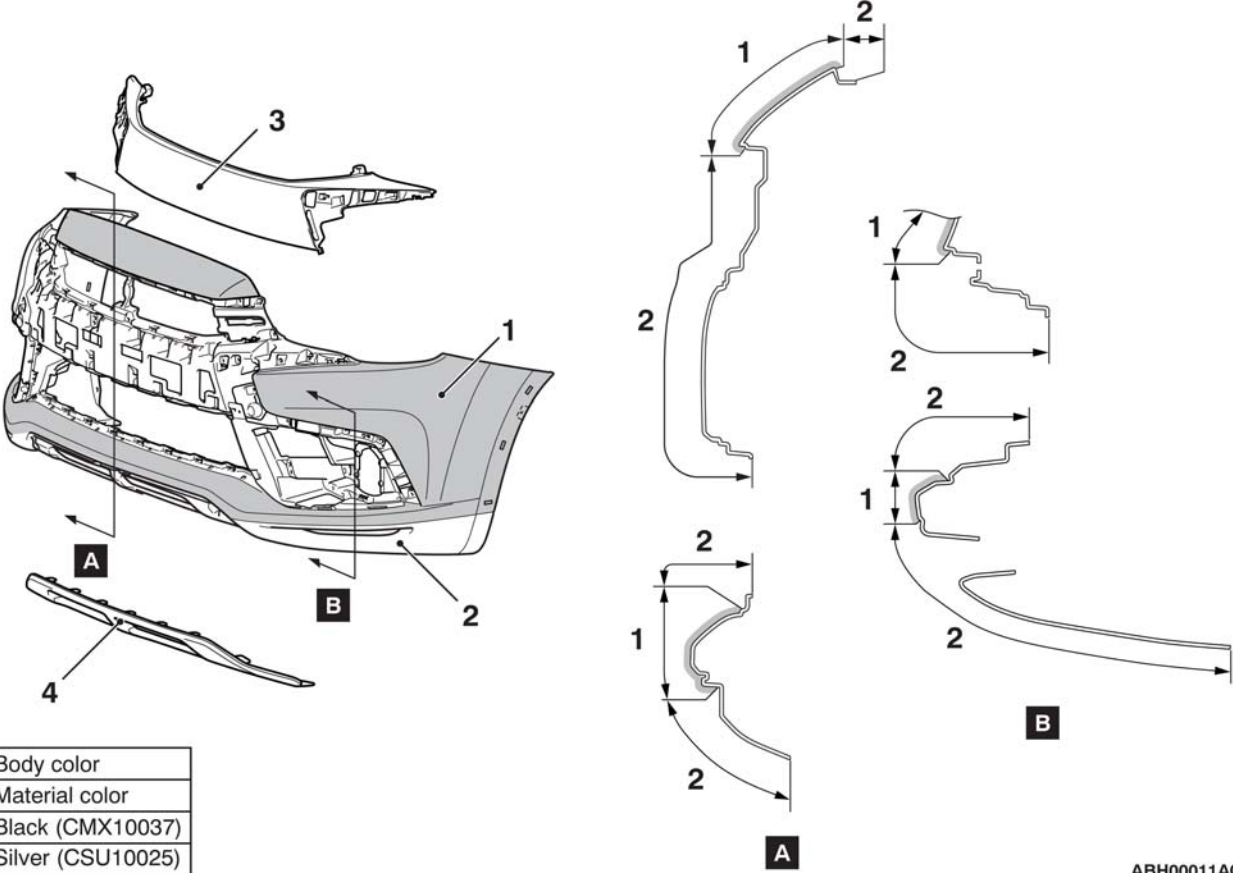
NOTE:

- The coating film structure indicates top coating only (2M: 2 coat metallic, 2P: 2 coat pearl, 3P: 3 coat pearl).
- For painting, inner panel colors should be similar to the outer panel colors.
- The roof rail is coated in Black (AC10657).

BODY COLORING

FRONT BUMPER

M4060000500530

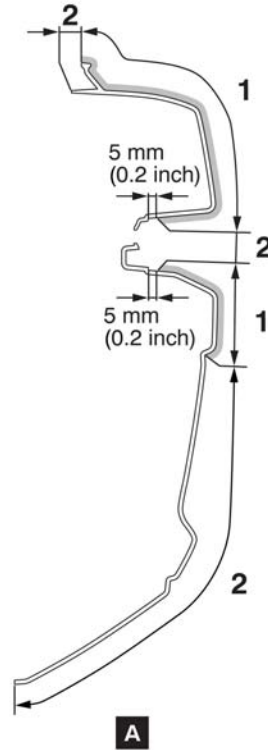
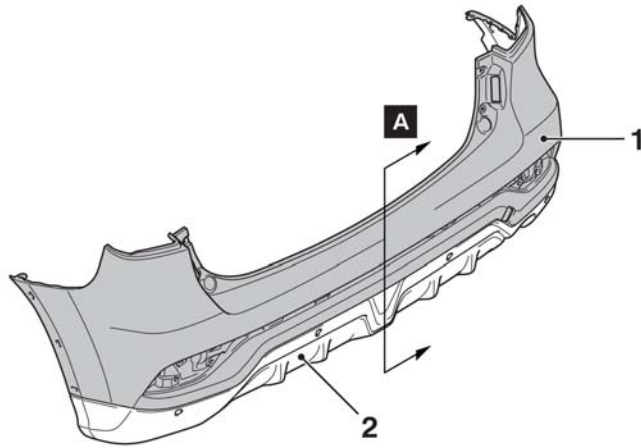


1	Body color
2	Material color
3	Black (CMX10037)
4	Silver (CSU10025)

ABH00011AC

REAR BUMPER

M4060000300365



1	Body color
2	Material color

ABH00012AB